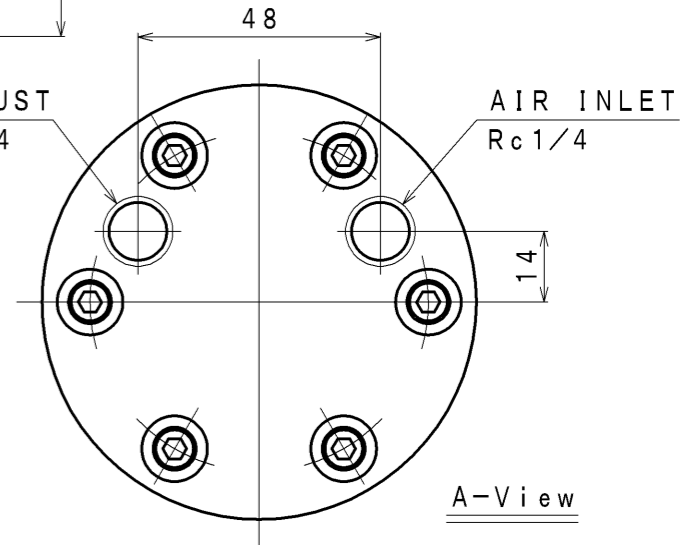
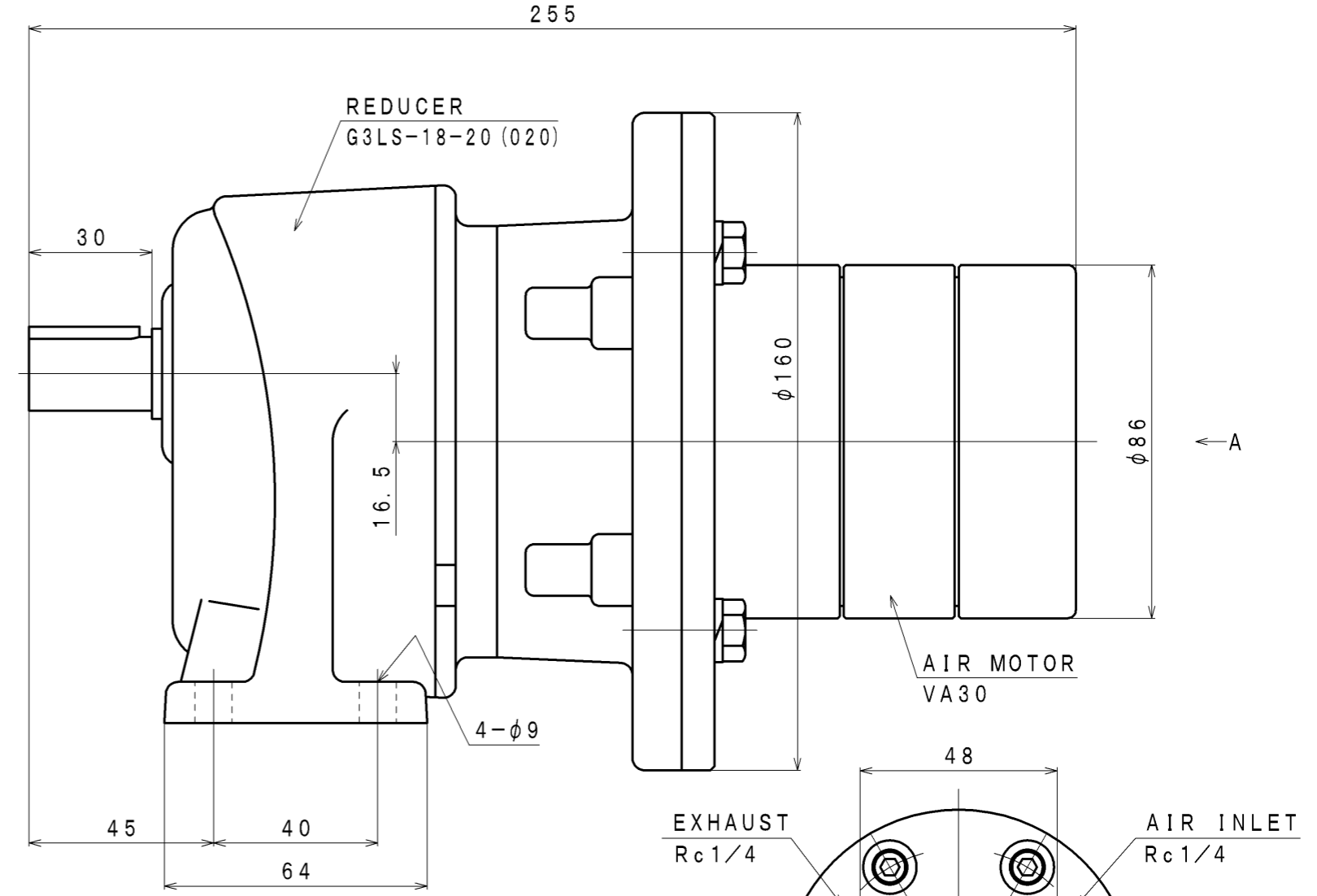
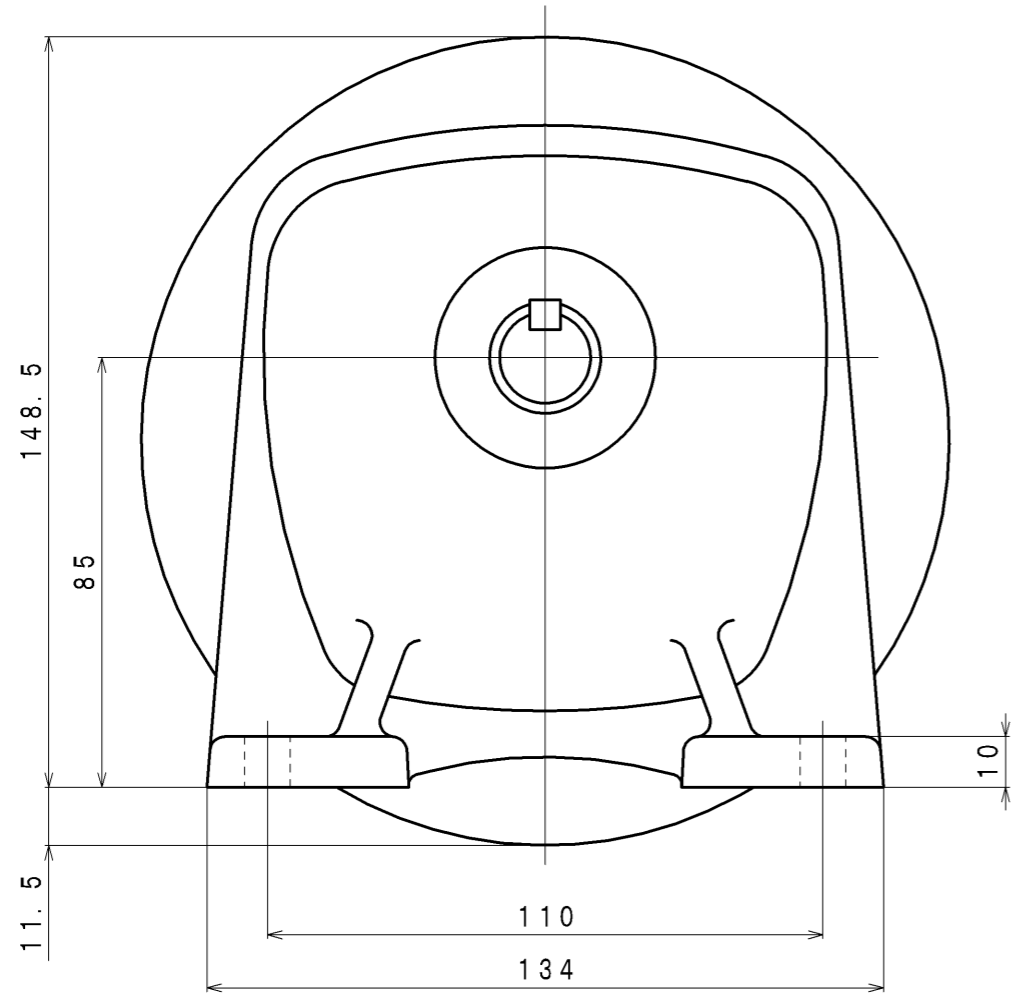
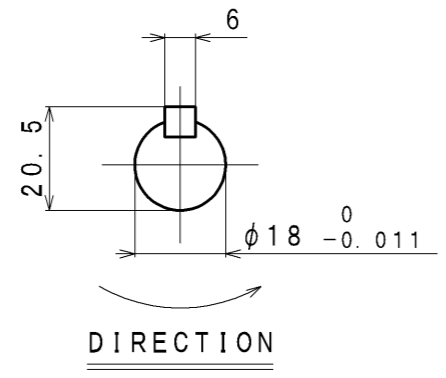


SIGN	REVISION	DATE	B Y
△1	Renewal	100225	W. S
△2	Correction	100910	M. S
△3	Correction	111028	R. T
△4	Renewal	130523	W. S



**SPECIFICATION**

AIR PRESSURE (MPa)	AT MAXIMUM OUTPUT				* ALLOWABLE SHAFT LOAD		LUBRICATING OIL	MASS (kg)
	OUTPUT (kW)	SPEED (rpm)	TORQUE (N·m)	AIR CONSUMPTION (m <sup>3</sup> /min (nor))	RADIAL (N)	THRUST (N)	AIR MOTOR (Line Oiler)	
0.6	0.23	98	22.6	0.48	1079	441	△ JIS K2213-1 Turbine Oil ISO VG32 (Line Oiler Dripping Quantity: 1~2 drop/min)	about 7.4
0.5	0.19	90	20.7	0.40				
0.4	0.16	81	18.6	0.33				

\*: At Mid of Shaft

APPROVED	CHECKED	REVIEWED	DRAWN	PARTICULARS	OUTLINE DRAWING	DATE	JAN. 15. 2009
M. M		W. S		MODEL	VA30R-B020	NOTE	
					AIR MOTOR	Z96-091	
SAN-EI SEIKI SEISAKUSHO CO., LTD.					DWG. NO.	E308-251	SCALE
							2/3