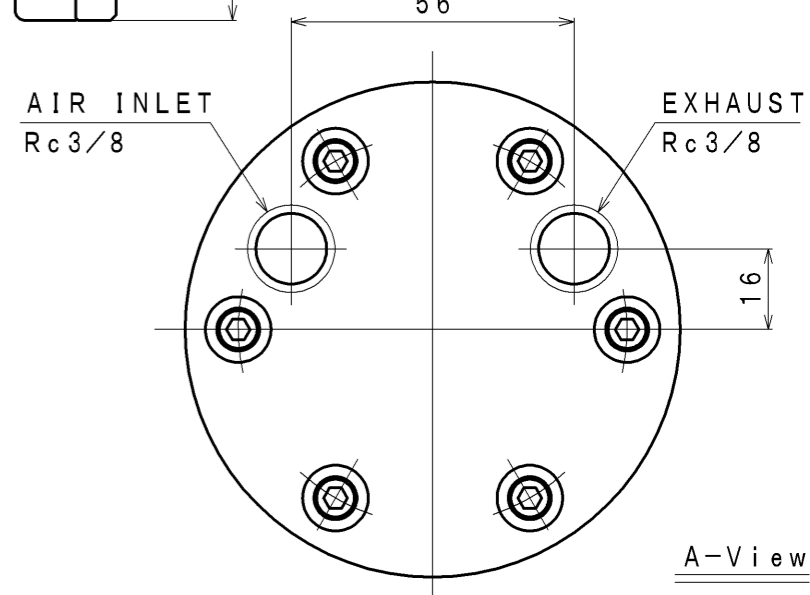
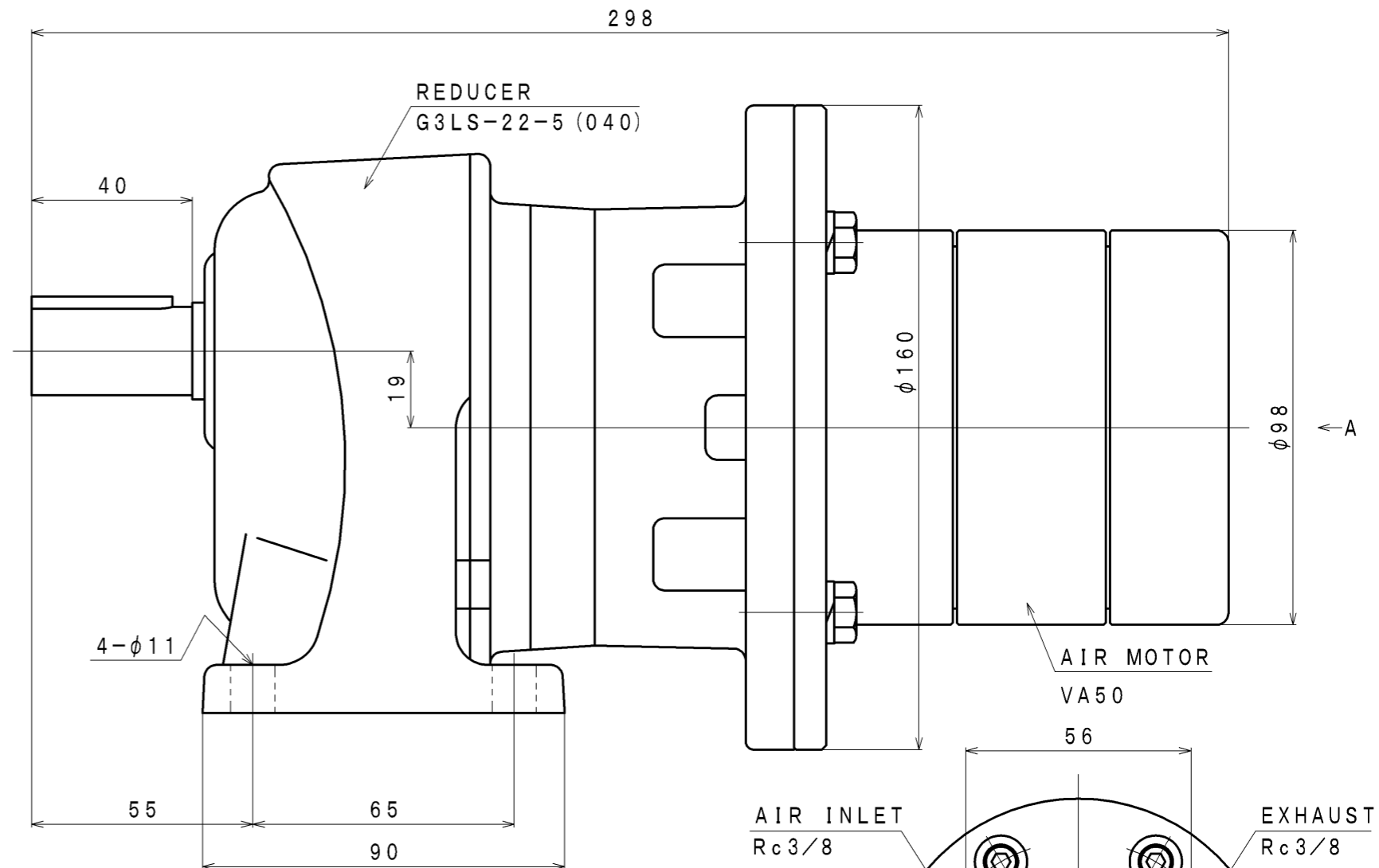
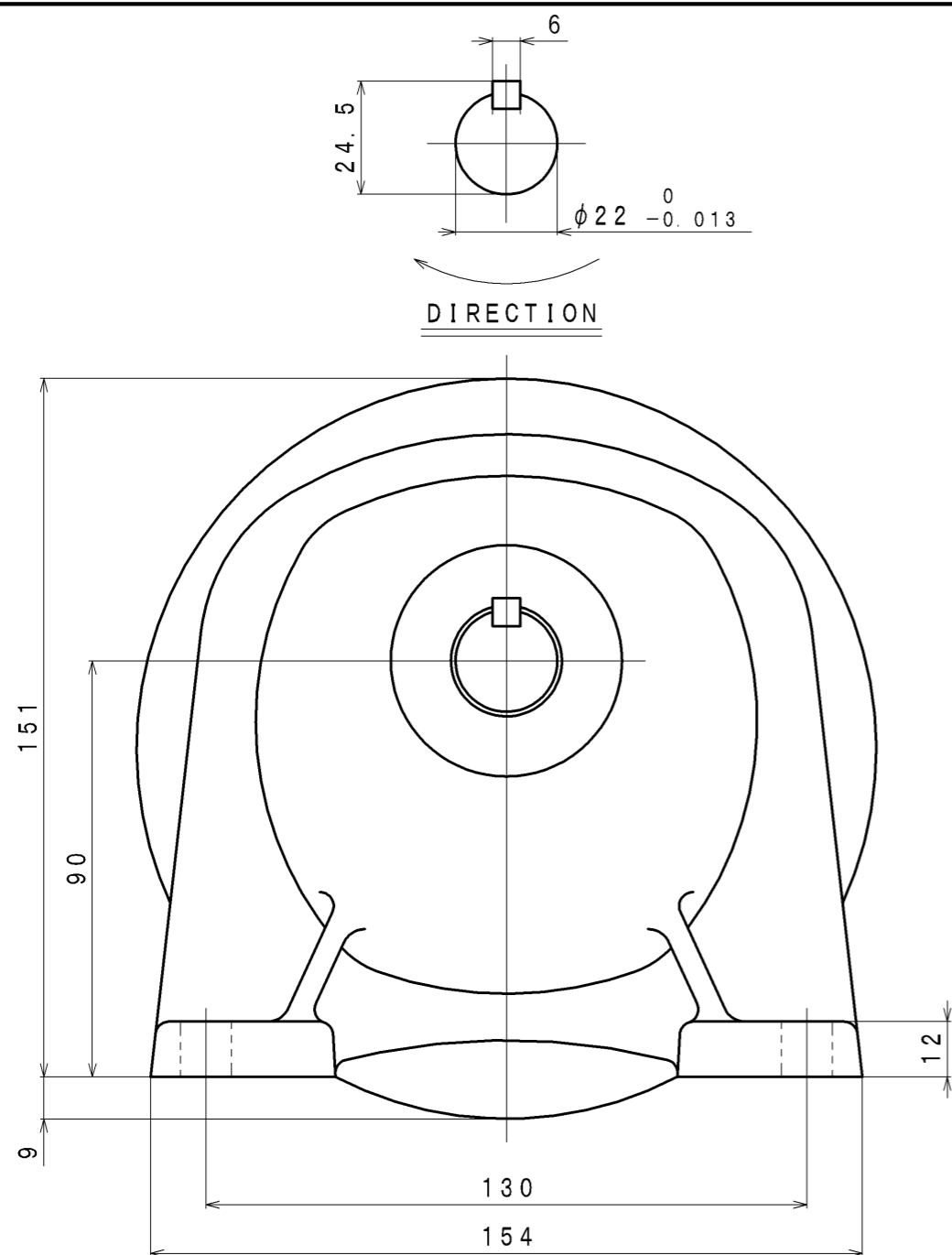


SIGN	REVISION	DATE	B Y
△1	Renewal	100301	W. S
△2	Correction	100910	M. S
△3	Renewal	111028	R. T
△4	Renewal	130523	W. S



**SPECIFICATION**

AIR PRESSURE	AT MAXIMUM OUTPUT				※ ALLOWABLE SHAFT LOAD		LUBRICATING OIL	MASS
	OUTPUT	SPEED	TORQUE	AIR CONSUMPTION	RADIAL	THRUST	AIR MOTOR (Line Oiler)	
(MPa)	(kW)	(rpm)	(N·m)	(m <sup>3</sup> /min (nor))	(N)	(N)	△1 JIS K2213-1 Turbine Oil ISO VG32 (Line Oiler Dripping Quantity: 2~3 drop/min)	(kg)
0.6	0.39	392	9.5	0.79	392	245		△2 about 10.1
0.5	0.32	360	8.5	0.68				
0.4	0.25	324	7.5	0.56				

※: At Mid of Shaft

APPROVED	CHECKED	REVIEWED	DRAWN	PARTICULARS	OUTLINE DRAWING	DATE	JAN. 26. 2009	
M. M		W. S		MODEL	VA50L-B005	NOTE		
					AIR MOTOR	Z96-092		
SAN-EI SEIKI SEISAKUSHO CO., LTD.					DWG. NO.	E308-261	SCALE	
							△4	2/3