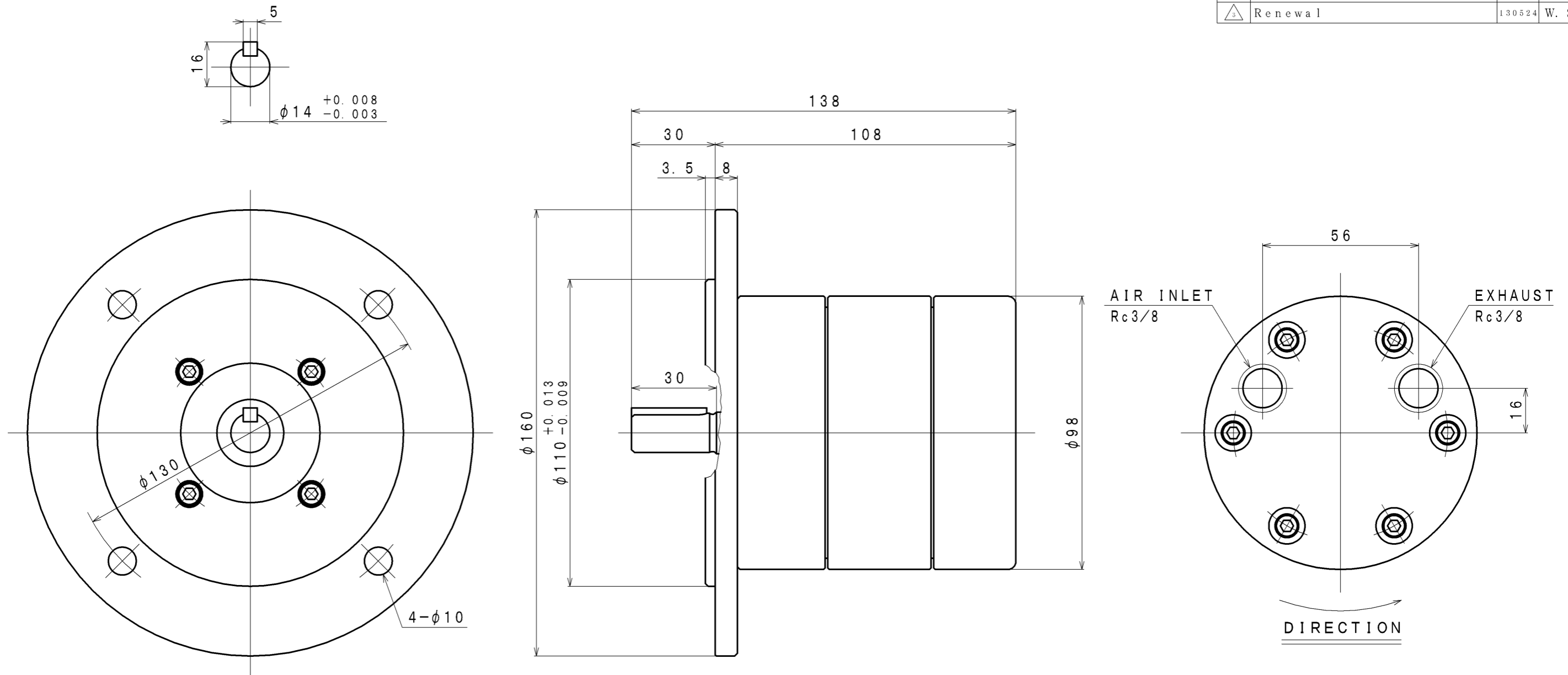


SIGN	REVISION	DATE	B Y
△1	Renewal	100219	W. S
△2	Renewal	111028	R. T
△3	Renewal	130524	W. S



**SPECIFICATION**

AIR PRESSURE (MPa)	AT MAXIMUM OUTPUT				* ALLOWABLE SHAFT LOAD		LUBRICATING OIL	MASS (kg)
	OUTPUT (kW)	SPEED (rpm)	TORQUE (N·m)	AIR CONSUMPTION (m <sup>3</sup> /min (nor))	RADIAL (N)	THRUST (N)	AIR MOTOR (Line Oiler)	
0.6	0.45	1960	2.20	0.79	392	245	△ JIS K2213-1 Turbine Oil ISO VG32 (Line Oiler Dripping Quantity: 2~3 drop/min)	about 5.0
0.5	0.38	1800	2.00	0.68				
0.4	0.31	1620	1.80	0.56				

\*: At Mid of Shaft

APPROVED	CHECKED	REVIEWED	DRAWN	PARTICULARS	OUTLINE	DATE	DEC. 19. 2008
M. M		W. S		MODEL	VA50LF	NOTE	
					AIR MOTOR	Z91-025	
SAN-EI SEIKI SEISAKUSHO CO., LTD.					DWG. NO.	E308-105	SCALE
						△3	2/3