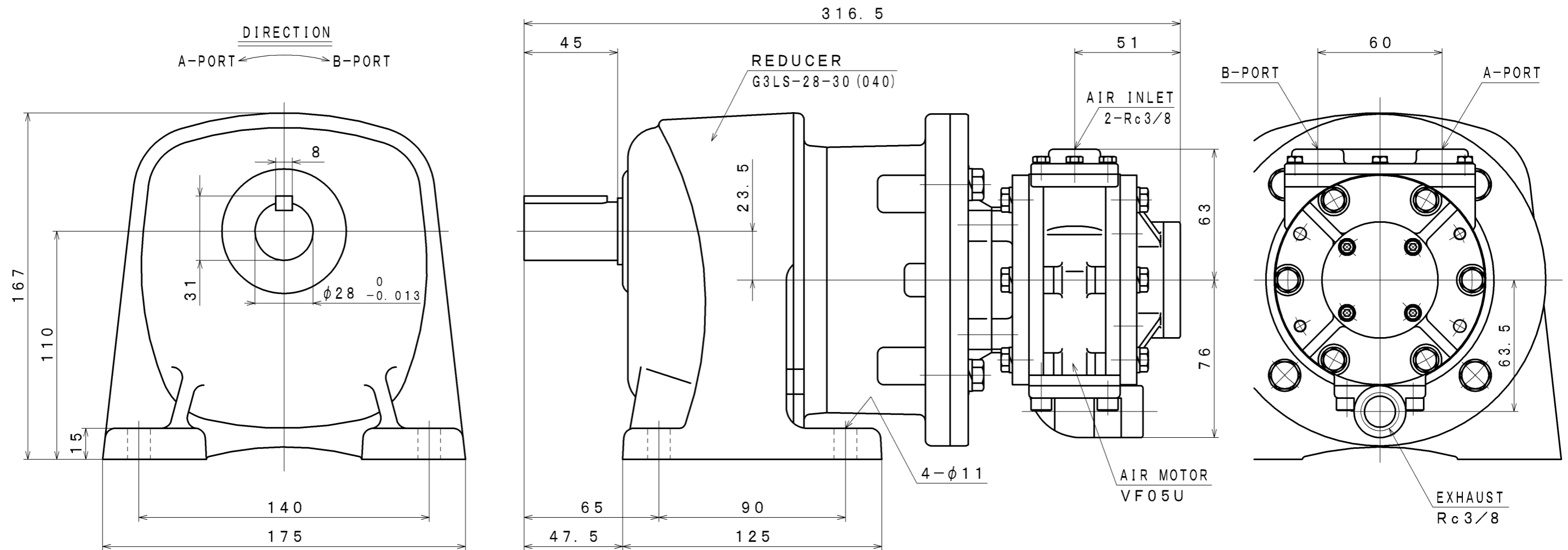


SIGN	REVISION	DATE	B Y
△1	Renewal	100901	W. S
△2	Renewal	111031	R. T
△3	Renewal	160407	W. S



SPECIFICATION

AIR PRESSURE (MPa)	AT MAXIMUM OUTPUT				※ ALLOWABLE SHAFT LOAD		LUBRICATING OIL	MASS (kg)
	OUTPUT (kW)	SPEED (rpm)	TORQUE (N·m)	AIR CONSUMPTION (m ³ /min (nor))	RADIAL (N)	THRUST (N)	AIR MOTOR (Line Oiler)	
0.6	0.76	100	73	1.3			△ JIS K2213-1 Turbine Oil ISO VG32	△ about 11.7
0.5	△0.64	93	66	1.1	2550	363	Line Oiler Dripping Quantity: 3~4 drop/min	
0.4	△0.51	87	56	0.9				

※: At Mid of Shaft

APPROVED	CHECKED	REVIEWED	DRAWN	PARTICULARS	OUTLINE DRAWING	DATE	Aug. 03. 2007
M. S		K. S	W. S	MODEL	VF05U-L28-30	NOTE	
					AIR MOTOR	Z06-030△	
SAN-EI SEIKI SEISAKUSHO CO., LTD.					DWG. NO.	E307-164	SCALE 1/2