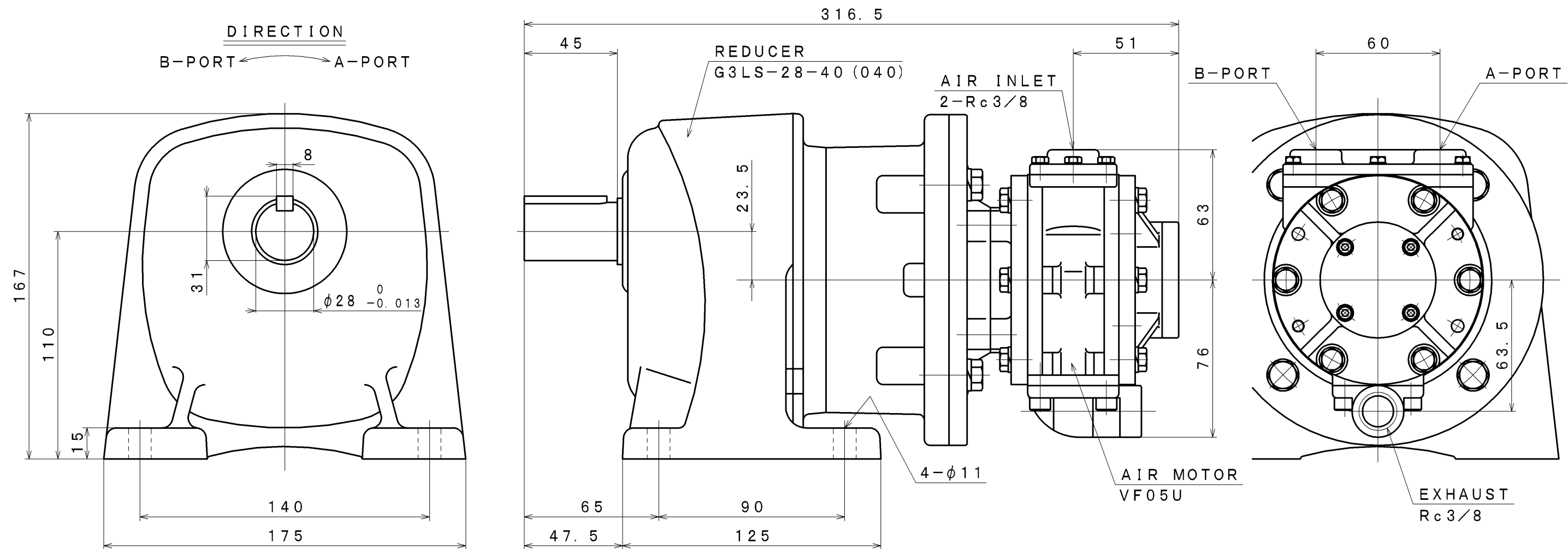


| SIGN | REVISION | DATE | B Y |
|------|---------------------|--------|------|
| △1 | Renewal | 111031 | R. T |
| △2 | Renewal, Correction | 160405 | W. S |



SPECIFICATION

| AIR PRESSURE (MPa) | AT MAXIMUM OUTPUT | | | | ※ ALLOWABLE SHAFT LOAD | | LUBRICATING OIL AIR MOTOR (Line Oiler) △ JIS K2213-1 Turbine Oil ISO VG32 Line Oiler Dripping Quantity: 3~4 drop/min | MASS (kg) |
|-----------------------|-------------------|----------------|-----------------|--|------------------------|---------------|--|--------------|
| | OUTPUT (kW) | SPEED (rpm) | TORQUE (N·m) | AIR CONSUMPTION (m ³ /min (nor)) | RADIAL (N) | THRUST (N) | | |
| 0.6 | 0.76 | 77 | 94 | 1.3 | 2840 | 373 | about 11.7 | |
| 0.5 | 0.65 | 72 | 86 | 1.1 | | | | |
| 0.4 | △0.51 | 67 | △73 | 0.9 | | | | |

※: At Mid of Shaft

| APPROVED | CHECKED | REVIEWED | DRAWN | PARTICULARS | OUTLINE DRAWING | DATE | AUG. 31. 2010 |
|-----------------------------------|---------|----------|-------|-------------|-----------------|----------|---------------|
| M. S | | K. S | W. S | MODEL | VF05U-L28-40 | NOTE | |
| | | | | | AIR MOTOR | Z06-030 | |
| SAN-EI SEIKI SEISAKUSHO CO., LTD. | | | | | DWG. NO. | E310-301 | SCALE 1/2 |