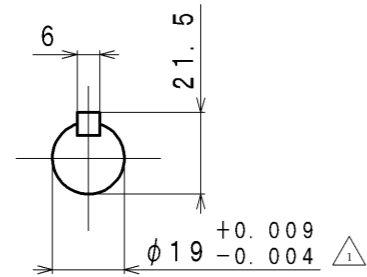
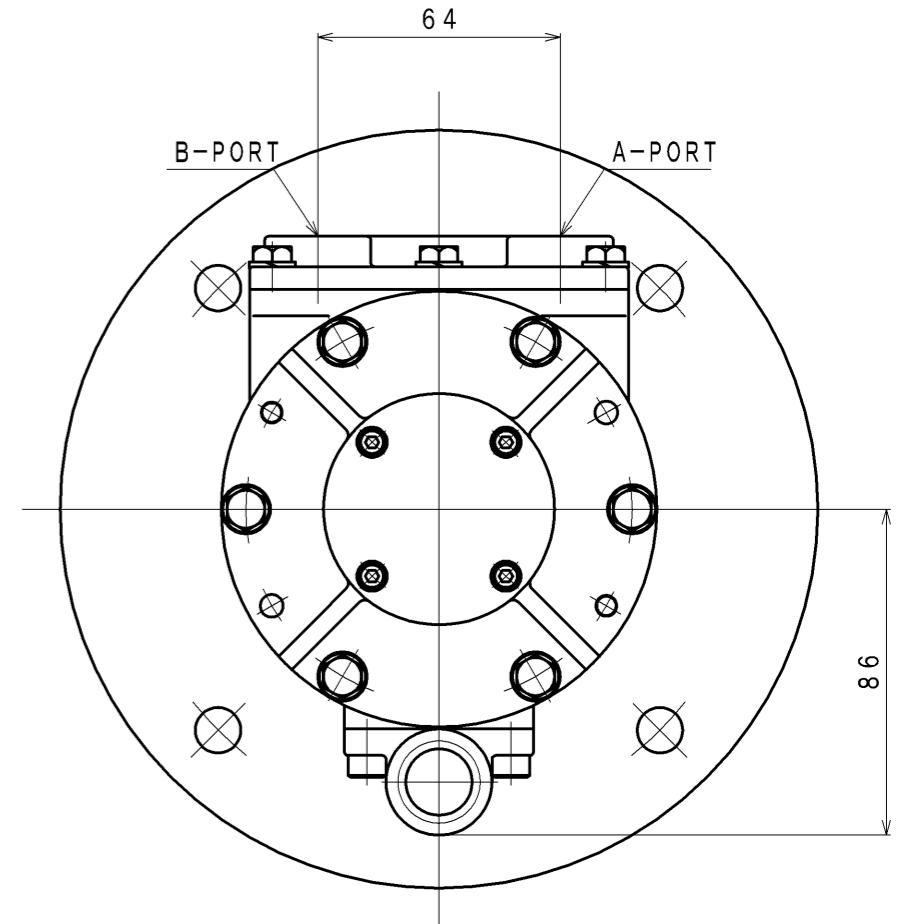
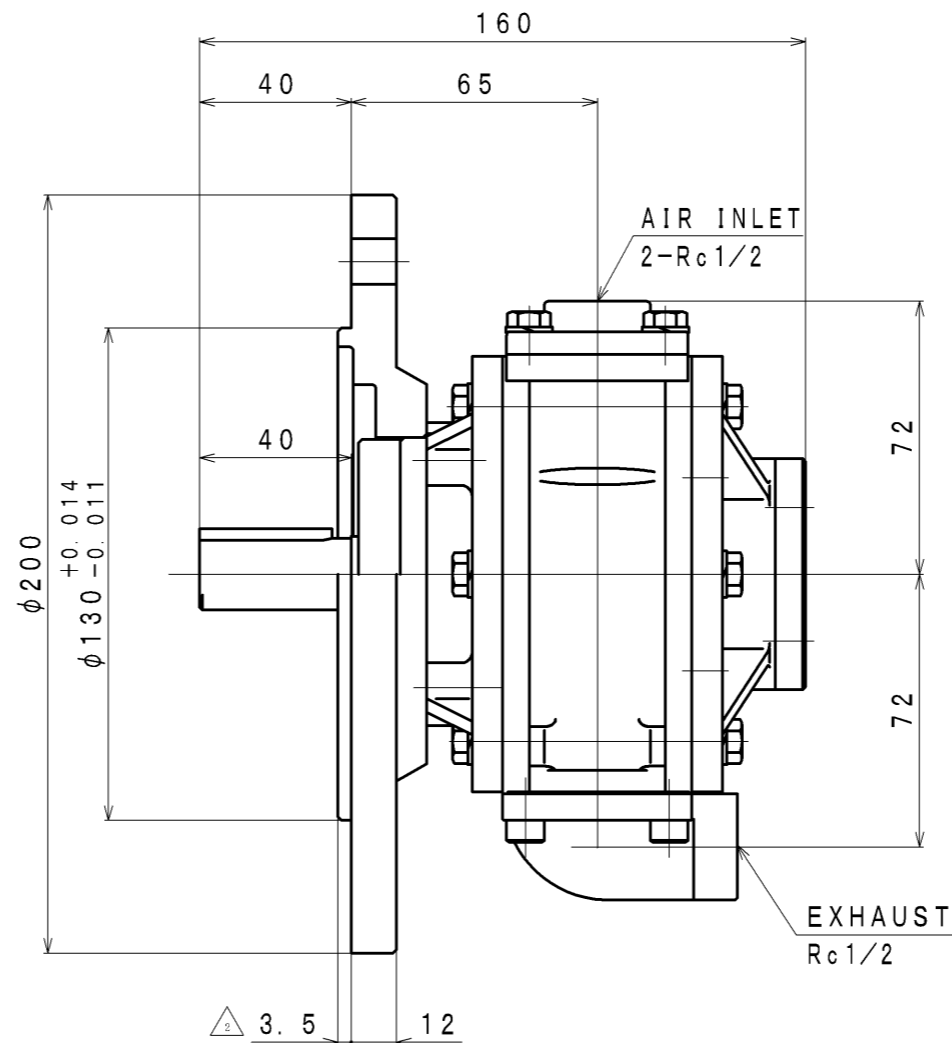
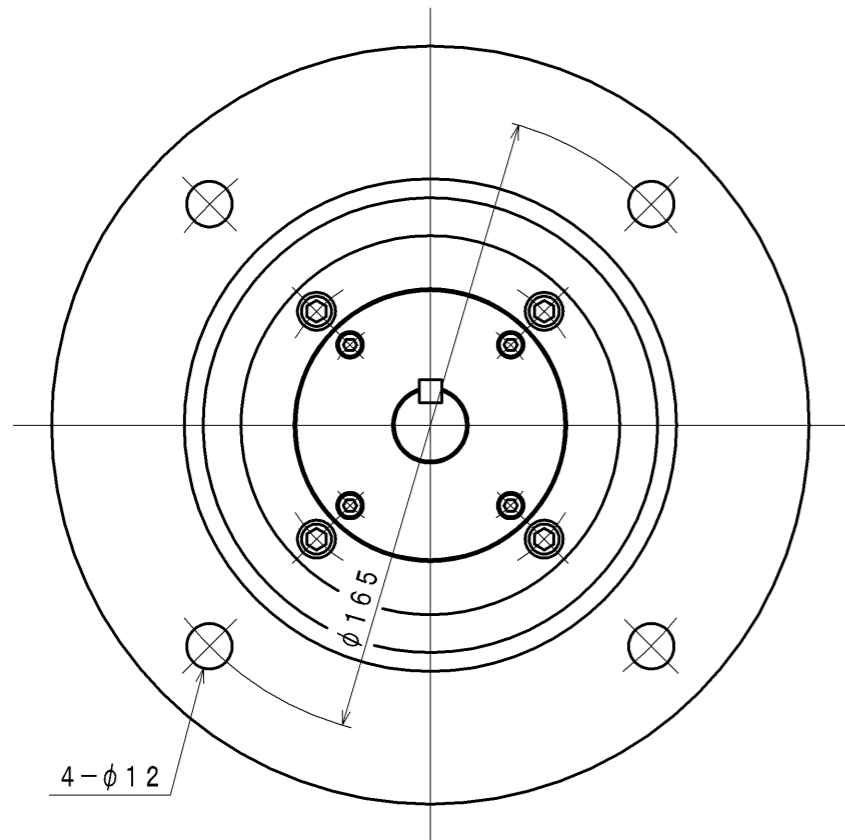


SIGN	REVISION	DATE	BY
△1	Renewal	111031	R. T
△2	Renewal	120413	R. T
△3	Renewal	160404	W. S



B-PORT ← A-PORT
DIRECTION



SPECIFICATION

AIR PRESSURE (MPa)	AT MAXIMUM OUTPUT				* ALLOWABLE SHAFT LOAD		LUBRICATING OIL AIR MOTOR (Line Oiler)	MASS (kg)
	OUTPUT (kW)	SPEED (rpm)	TORQUE (N·m)	AIR CONSUMPTION (m ³ /min (nor))	RADIAL (kN)	THRUST (kN)		
0.6	1.08	2800	3.70	1.7	0.64	0.15	△ JIS K2213-1 Turbine Oil ISO VG32 (Line Oiler Dripping Quantity: 4~5 drop/min)	6.2
0.5	0.91	2600	3.35	1.5				
0.4	0.70	2400	2.80	1.2				

*: At Mid of Shaft

APPROVED	CHECKED	REVIEWED	DRAWN	PARTICULARS	OUTLINE DRAWING	DATE	Nov. 07. 2005
M. S	K. S		R. T	MODEL	VF10-UFD1	NOTE	
					AIR MOTOR	Z05-035	△
SAN-EI SEIKI SEISAKUSYO CO., LTD.				DWG. NO.	E305-205	SCALE	1/2