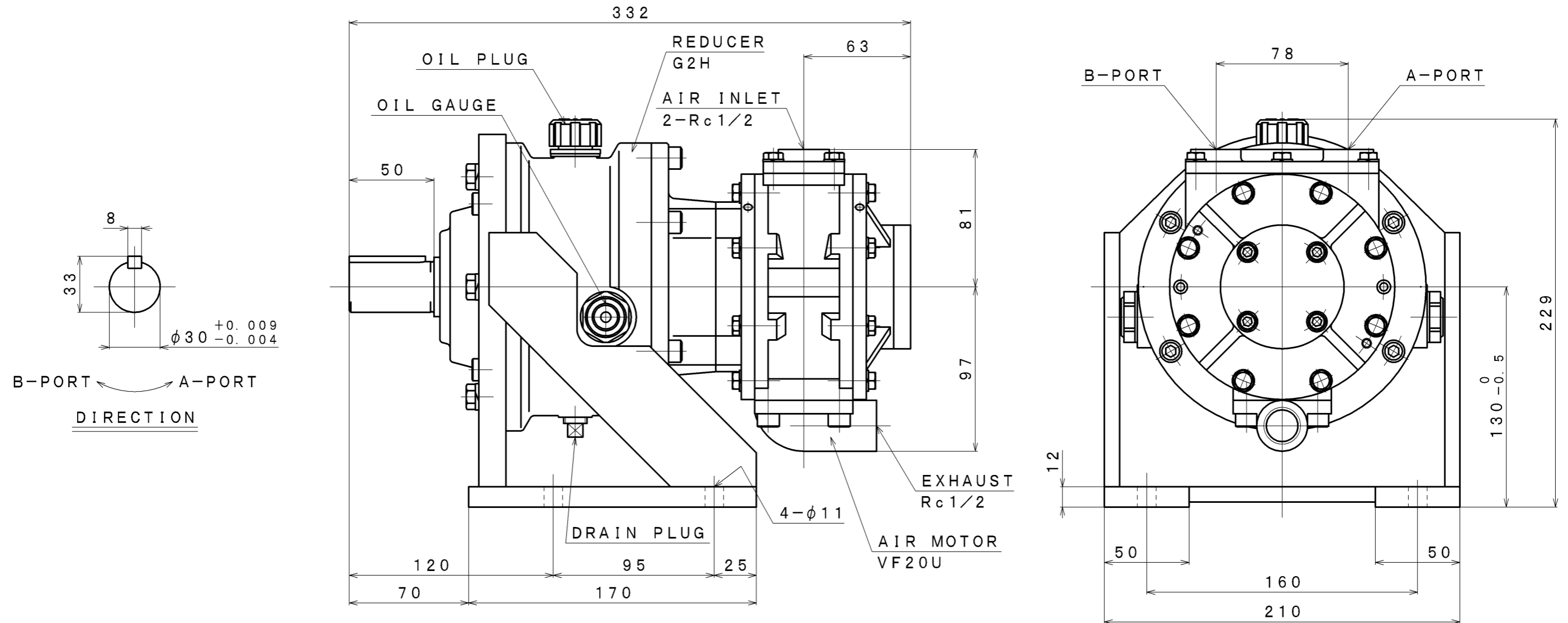


| SIGN | REVISION | DATE   | B Y  |
|------|----------|--------|------|
| △1   | Renewal  | 111031 | R. T |
| △2   | Renewal  | 160404 | W. S |



**SPECIFICATION**

| AIR PRESSURE | AT MAXIMUM OUTPUT |       |        |                             | ※ ALLOWABLE SHAFT LOAD |        | LUBRICATING OIL   |                                      | MASS     |
|--------------|-------------------|-------|--------|-----------------------------|------------------------|--------|---|--------------------------------------|----------|
|              | OUTPUT            | SPEED | TORQUE | AIR CONSUMPTION             | RADIAL                 | THRUST | AIR MOTOR   | REDUCER                              |          |
| (MPa)        | (kW)              | (rpm) | (N·m)  | (m <sup>3</sup> /min (nor)) | (kN)                   | (kN)   | △ JIS K2213-1 Turbine Oil ISO VG32<br>Line Oiler Dripping<br>Quantity: 7~8 drop/min | JIS K2219 Gear Oil ISO VG220 (130cc) | (kg)     |
| 0.6          | 1.94              | 323   | 57.4   | 2.5                         | 2.0                    | 0.4    |   |                                      | about 28 |
| 0.5          | 1.62              | 297   | 52.3   | 2.1                         |                        |        |   |                                      |          |
| 0.4          | 1.25              | 271   | 44.2   | 1.8                         |                        |        |   |                                      |          |

※: At Mid of Shaft

|                                   |         |          |       |             |                 |          |               |
|-----------------------------------|---------|----------|-------|-------------|-----------------|----------|---------------|
| APPROVED                          | CHECKED | REVIEWED | DRAWN | PARTICULARS | OUTLINE DRAWING | DATE     | FEB. 12. 2010 |
| M. M                              |         | W. S     |       | MODEL       | VF20U-G2H8B     | NOTE     |               |
|                                   |         |          |       |             | AIR MOTOR       | Z06-047  |               |
| SAN-EI SEIKI SEISAKUSHO CO., LTD. |         |          |       |             | DWG. NO.        | E310-109 | SCALE 2/5     |