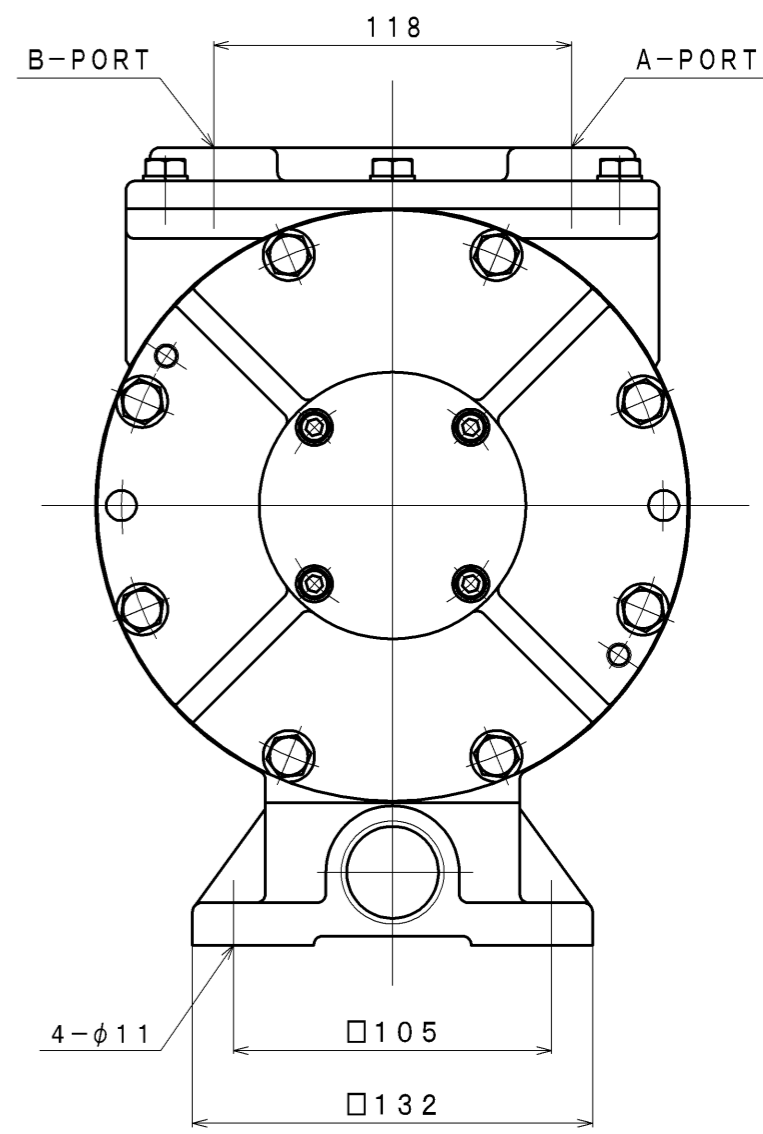
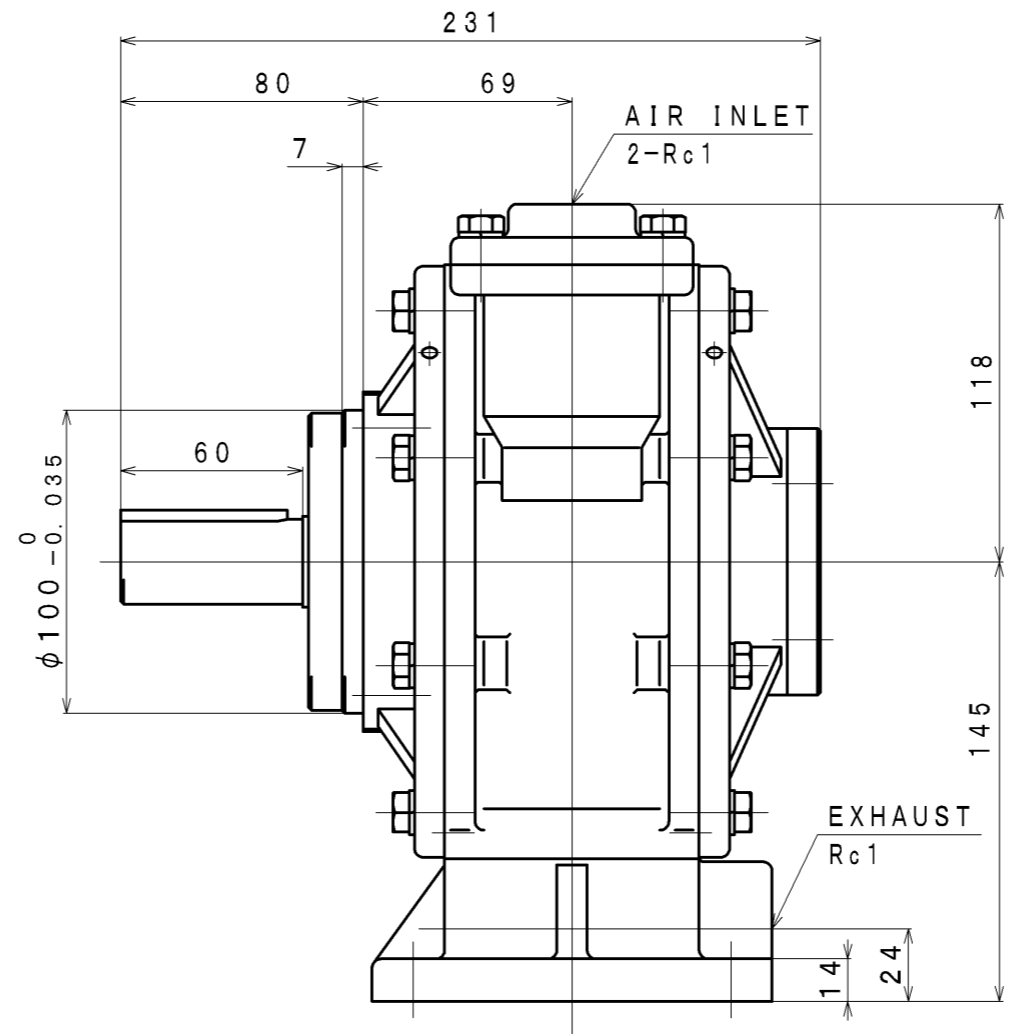
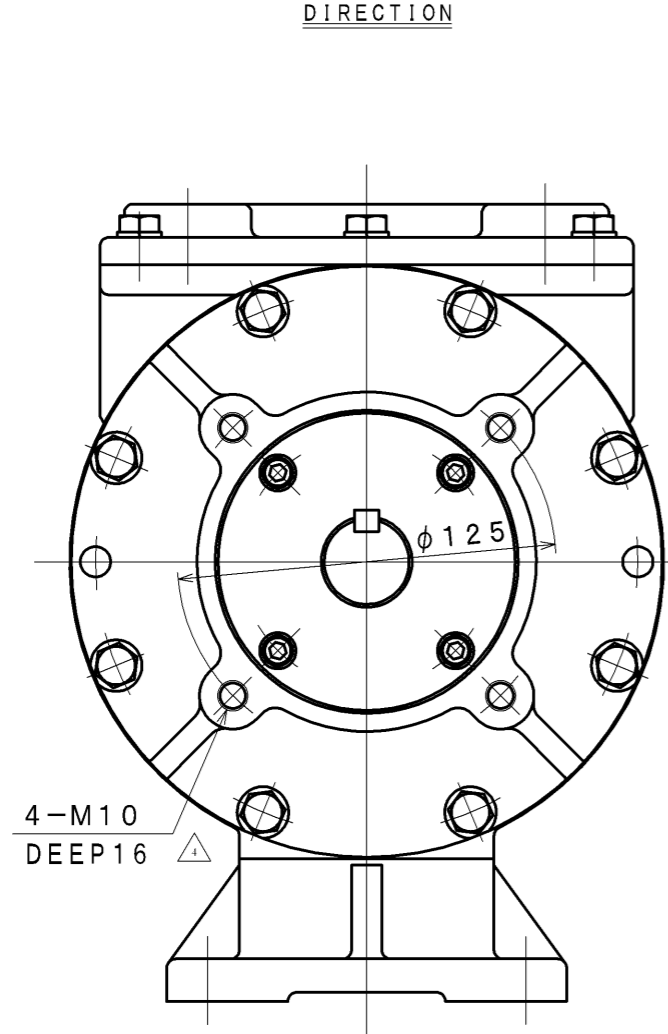
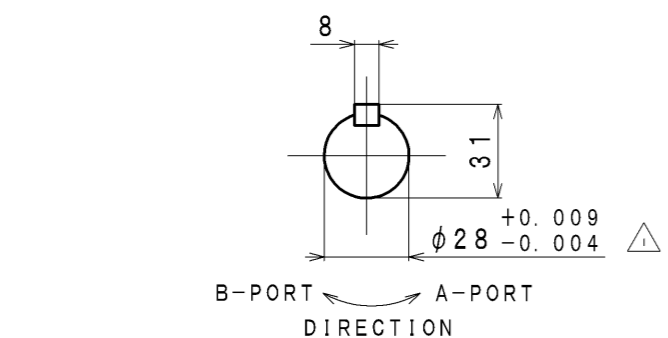


SIGN	REVISION	DATE	BY
△1	Renewal	111031	R. T
△2	Renewal	120413	R. T
△3	Renewal	141216	R. T
△4	Renewal	160404	W. S



SPECIFICATION

AIR PRESSURE (MPa)	AT MAXIMUM OUTPUT				※ ALLOWABLE SHAFT LOAD		LUBRICATING OIL AIR MOTOR (Line Oiler) △1 JIS K2213-1 Turbine Oil ISO VG32 (Line Oiler Dripping Quantity:15~20 drop/min)	MASS (kg)
	OUTPUT (kW)	SPEED (rpm)	TORQUE (N·m)	AIR CONSUMPTION (m <sup>3</sup> /min (nor))	RADIAL (kN)	THRUST (kN)		
0.6	5.19	2000	24.8	6.2	1.18	0.34	23.5	
0.5	4.24	1800	22.5	5.4				
0.4	3.20	1600	19.1	4.5				

※:At Mid of Shaft

APPROVED	CHECKED	REVIEWED	DRAWN	PARTICULARS	OUTLINE DRAWING	DATE	SEP. 16. 1997
M. S	K. S		R. T	MODEL	VF50-UBD1 AIR MOTOR	NOTE	Z05-045 △1
SAN-EI SEIKI SEISAKUSYO CO., LTD.				DWG. NO.	E305-215 △4	SCALE	2/5