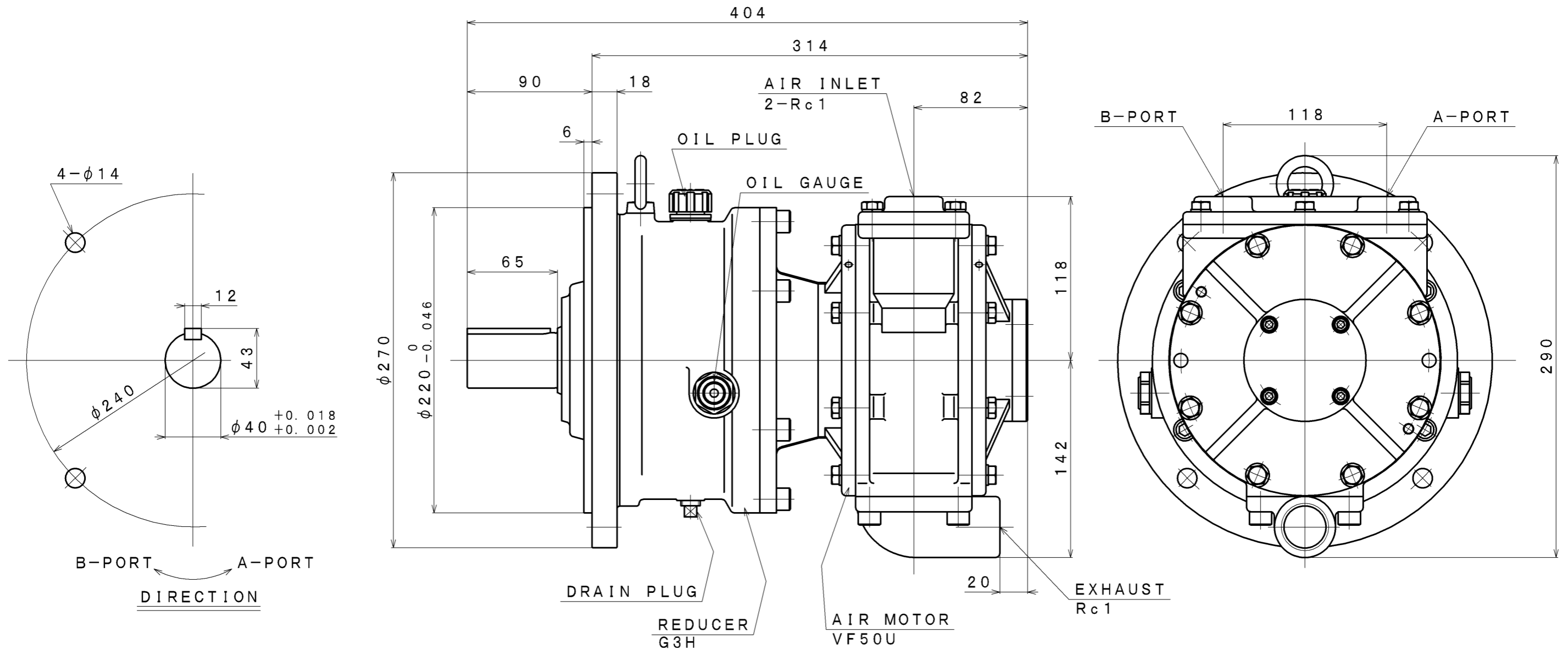


SIGN	REVISION	DATE	B Y
△1	Renewal	111031	R. T
△2	Renewal	160405	W. S



SPECIFICATION

AIR PRESSURE	AT MAXIMUM OUTPUT				* ALLOWABLE SHAFT LOAD		LUBRICATING OIL		MASS
	OUTPUT	SPEED	TORQUE	AIR CONSUMPTION	RADIAL	THRUST	AIR MOTOR	REDUCER	
(MPa)	(kW)	(rpm)	(N·m)	(m ³ /min (nor))	(kN)	(kN)	△ JIS K2213-1 Turbine Oil ISO VG32 Line Oiler Dripping Quantity: 15~20drop/min	JIS K2219 Gear Oil ISO VG220 (150cc)	(kg)
0.6	4.93	581	81.1	6.2	2.1	0.5			about 53
0.5	4.03	523	73.6	5.4					
0.4	3.04	465	62.5	4.5					

*: At Mid of Shaft

APPROVED	CHECKED	REVIEWED	DRAWN	PARTICULARS	OUTLINE DRAWING	DATE	FEB. 15. 2010
M. M		W. S		MODEL	VF50U-G3H4F	NOTE	
					AIR MOTOR	Z06-050	
SAN-EI SEIKI SEISAKUSHO CO., LTD.					DWG. NO.	E310-116	SCALE 1/3