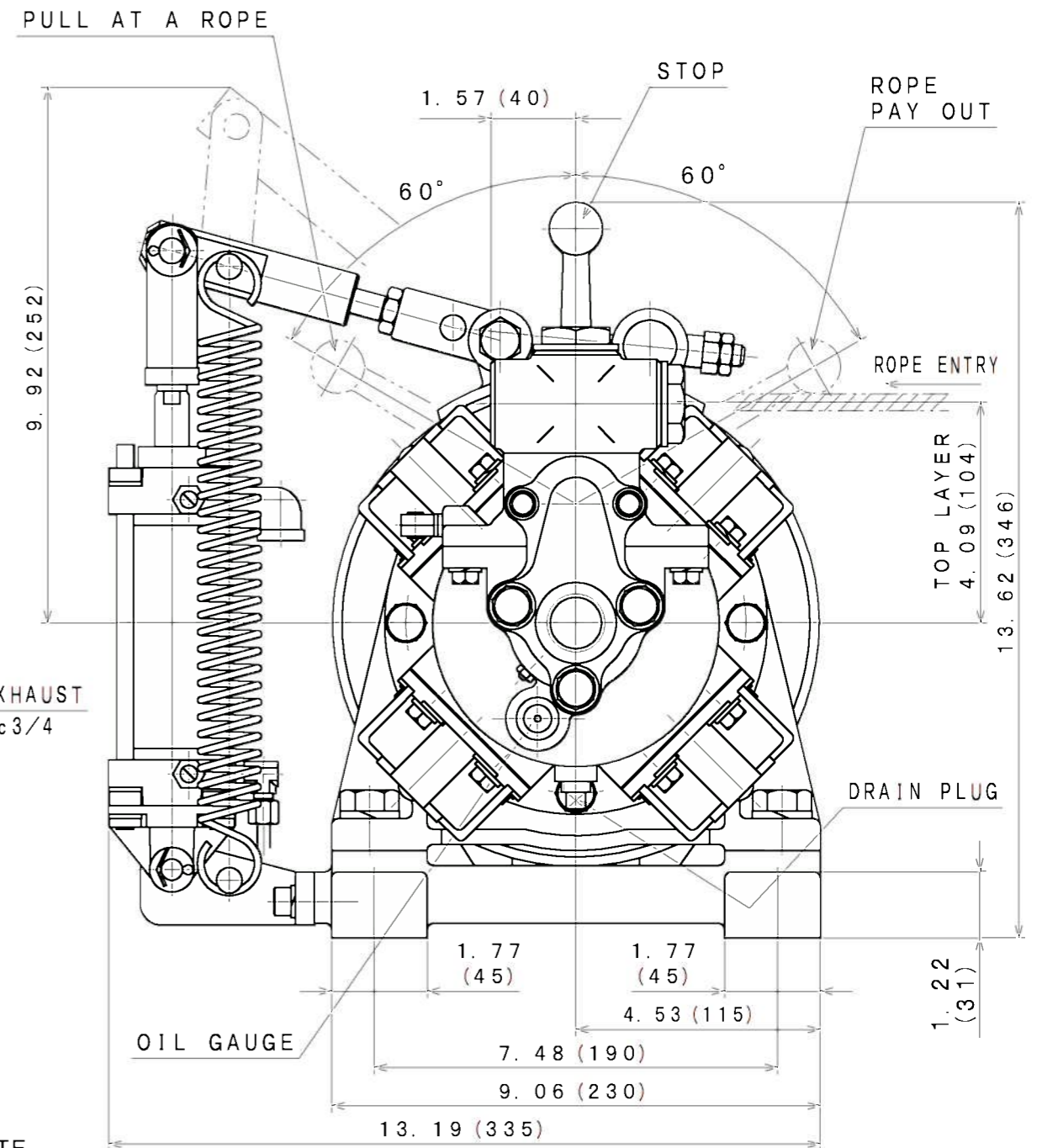
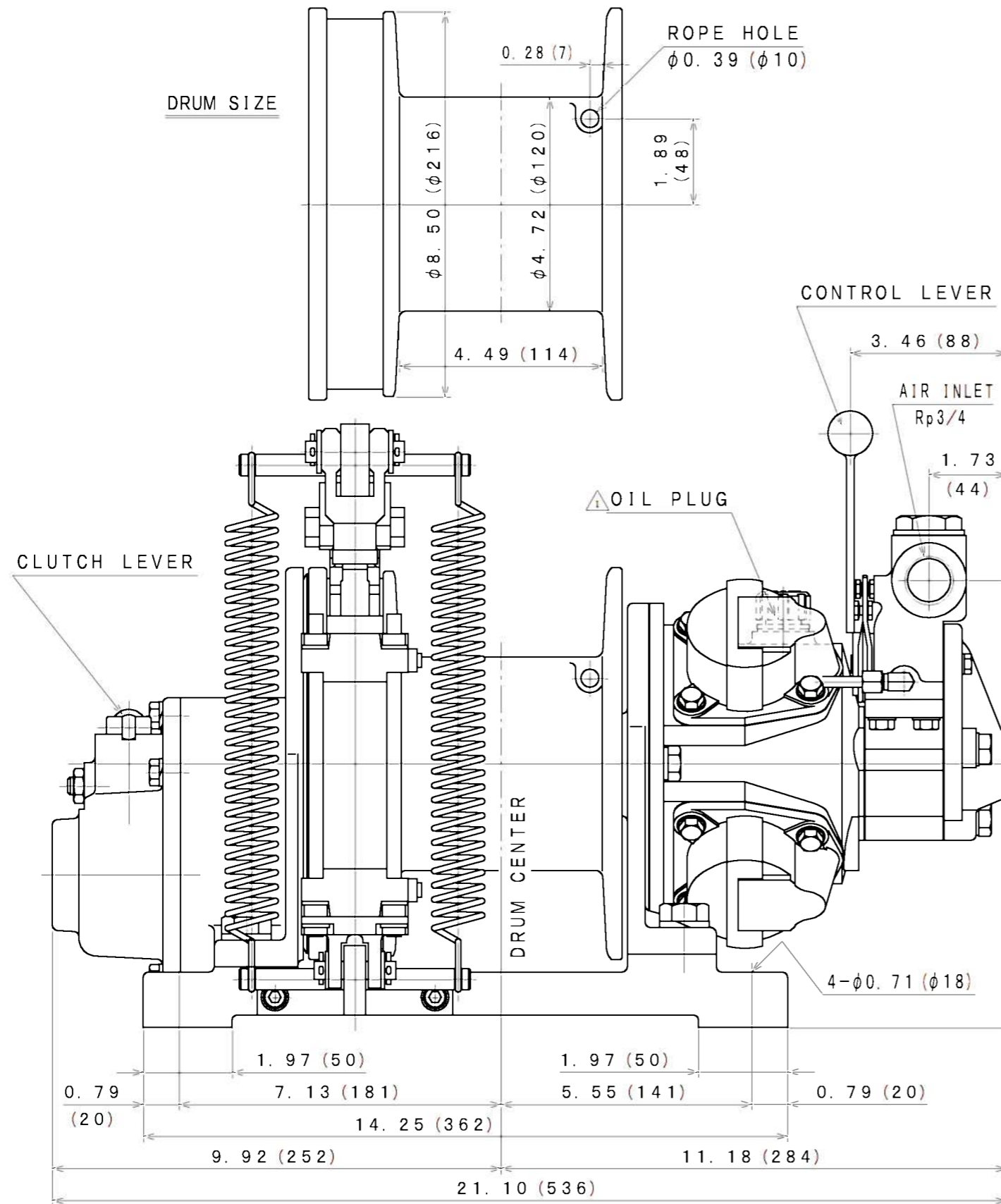


SIGN	REVISION	DATE	BY
1	Renewal	160411	W. S



NOTE
DIMENSIONS ARE INCHES, BRACKETS () METRIC mm

SPECIFICATIONS (at HALF DRUM)

AIR PRESSURE psi (MPa)	MOTOR POWER hp (kW)	ROPE PULL lb (kN)	ROPE SPEED fpm (m/min)	AIR CONSUMPTION cfm (m ³ /min (nor))	ROPE CAPACITY φ in x ft (m)	WEIGHT lb (kg)
90 (0.62)	2.3 (1.73)	1100 (5)	62 (19)	71 (2.0)	5/16 x 145 (45)	ABOUT 130 (59)

APPROVED	CHECKED	REVIEWED	DRAWN	PARTICULARS	OUTLINE DRAWING	DATE	FEB. 12, 1998
H. K	S. N		M. M	MODEL	W-05-3-SAC-AB	NOTE	
					AIR WINCH	Z97-116	
SAN-EI SEIKI SEISAKUSHO CO., LTD.				DWG. NO.	E398-022	SCALE	1/3