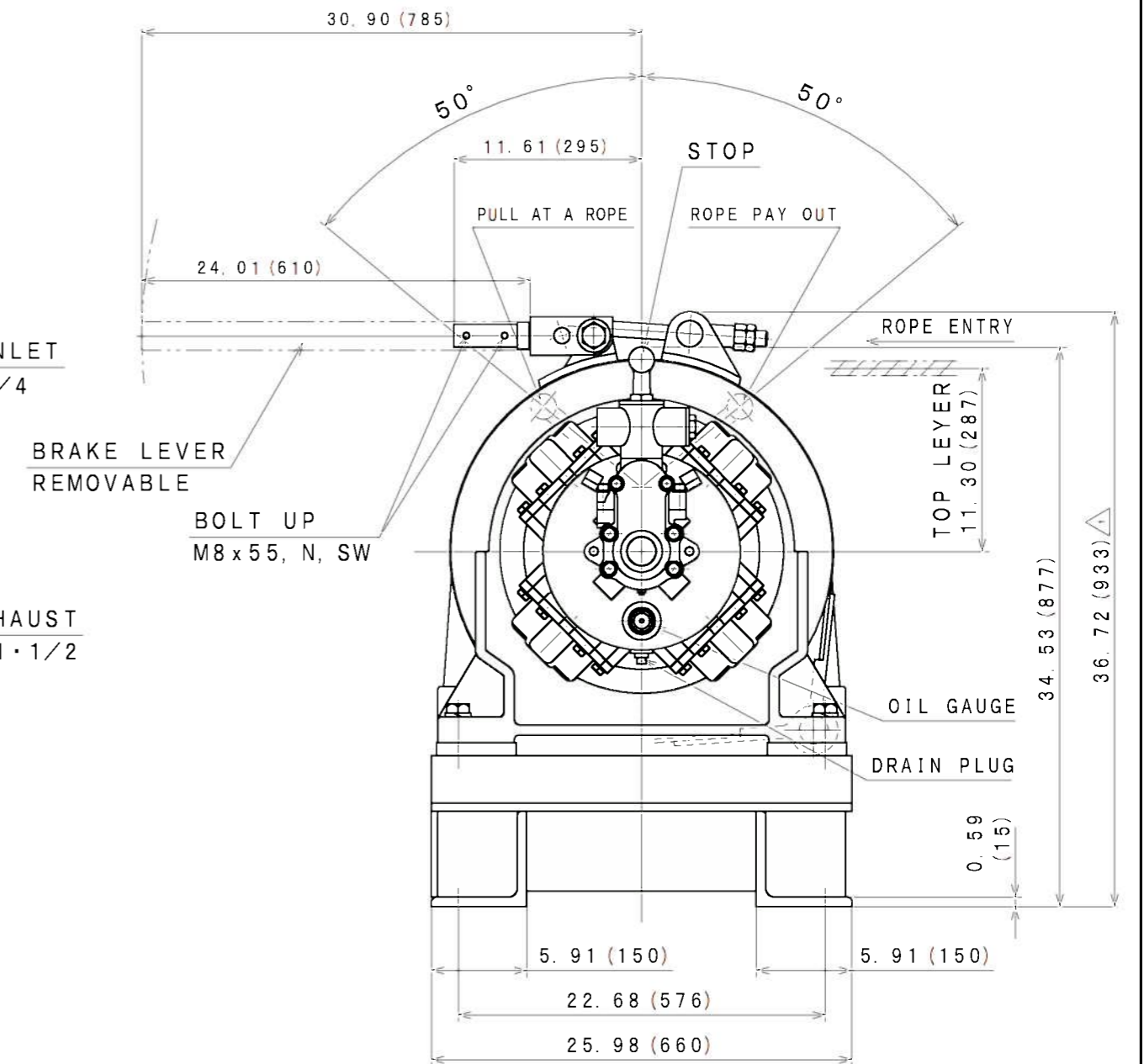
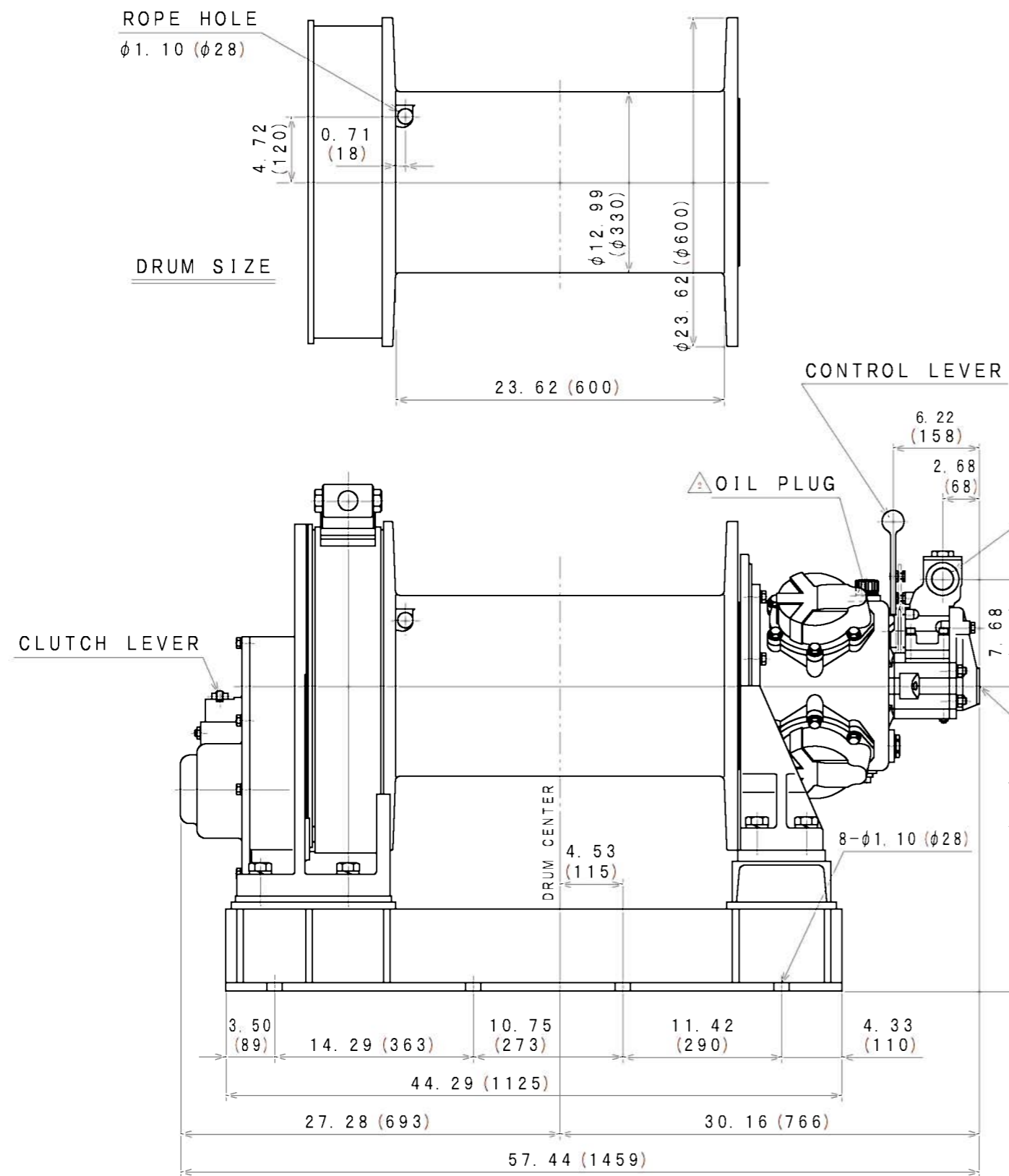


| SIGN | REVISION | DATE   | B Y  |
|------|----------|--------|------|
| 1    | Add      | 070706 | K. S |
| 2    | Renewal  | 160408 | W. S |



**SPECIFICATION (at HALF DRUM)**

| AIR PRESSURE<br>psi (MPa) | MOTOR POWER<br>hp (kW) | ROPE PULL<br>lb (kN) | ROPE SPEED<br>fpm (m/min) | AIR CONSUMPTION<br>cfm (m <sup>3</sup> /min (nor)) | ROPE CAPACITY<br>φ in x ft (m) | WEIGHT<br>lb (kg)      |
|---------------------------|------------------------|----------------------|---------------------------|--|--------------------------------|------------------------|
| 90 (0.62)                 | 16 (12)                | 11000<br>(50)        | 36 (11)                   | 318 (9.0)  | 7/8 x 750<br>(230)             | ABOUT<br>1870<br>(850) |

**NOTE**

DIMENSIONS ARE INCHES, BRACKETS ( ) METRIC mm

| APPROVED                          | CHECKED | REVIEWED | DRAWN | PARTICULARS | OUTLINE DRAWING | DATE  | May. 09. 2007 |
|-----------------------------------|---------|----------|-------|-------------|-----------------|-------|---------------|
|                                   | M. M    |          | M. S  | MODEL       | W-50-36-LAC-MB  | NOTE  |               |
| SAN-EI SEIKI SEISAKUSHO CO., LTD. |         |          |       | DWG. NO.    | E307-113        | SCALE | 1/10          |