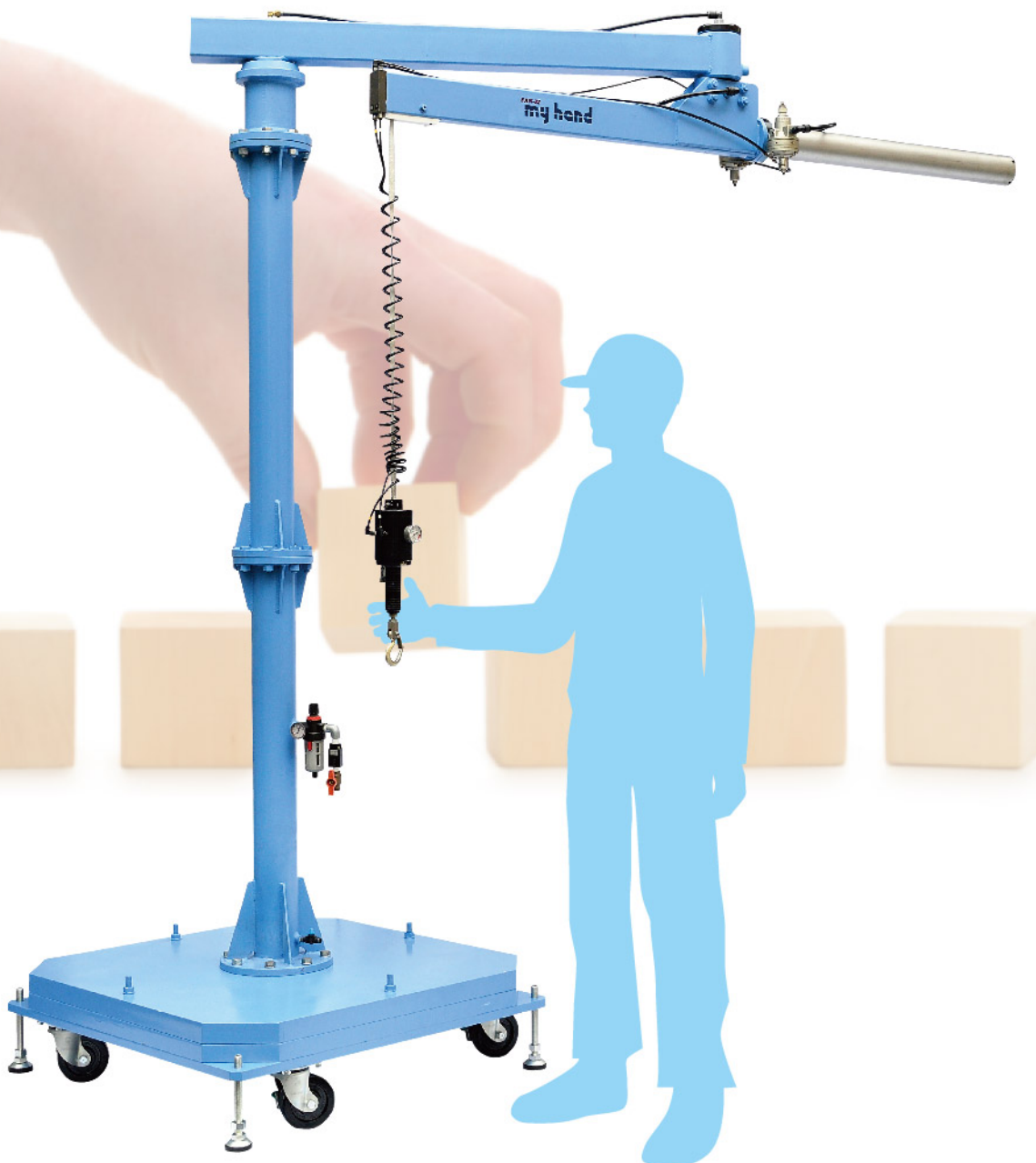


AIR BALANCER **my hand**

Air Balancer Product Guide

Your right-hand, My hand



Your right-hand, My hand

My hand is balancer operated by pneumatic.
Enable easy lifting, lowering, and carrying.
My hand ensures your safety and efficient work as **your right hand**.

► Specialty

1 Labor saving

Easy handling, by one hand for heavy object.

2 Load detection

Detect load and balance objects each work.

3 With load gauge

You can check approx. load weight with simple gauge.

4 All pneumatic

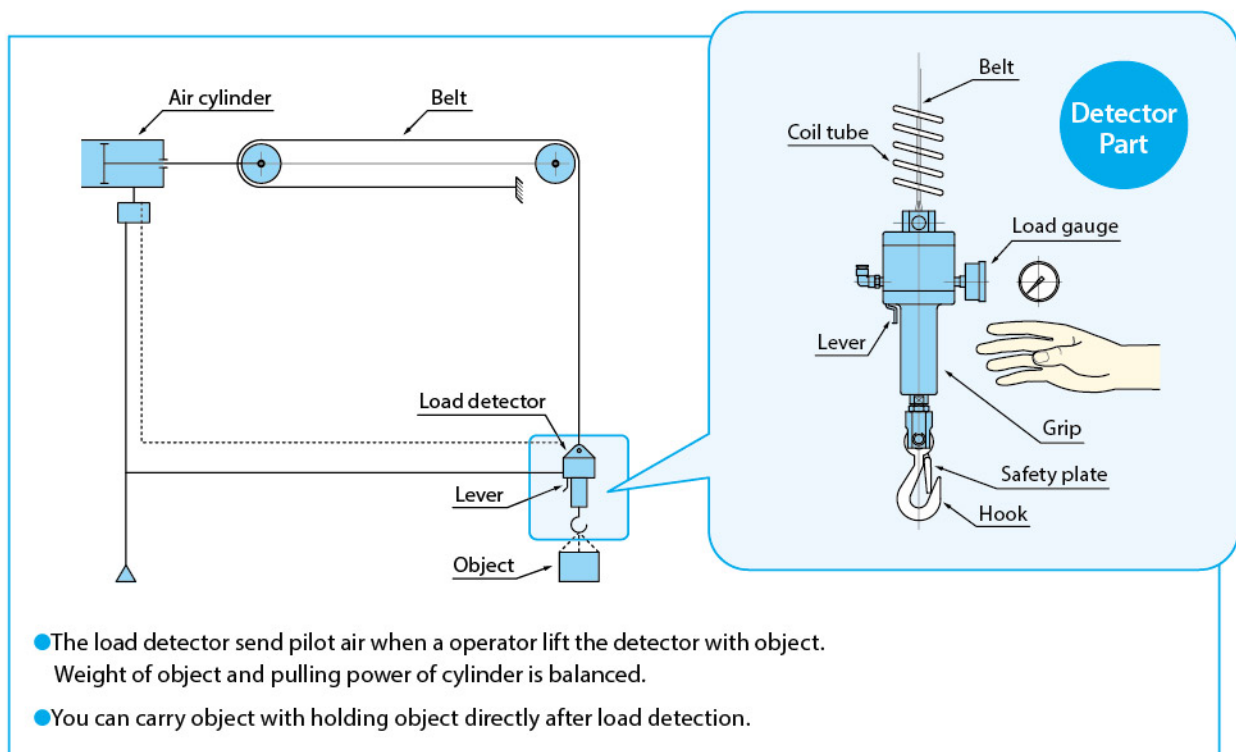
All pneumatic drive and suitable for explosion area.

5 Simple design

Simple structure for light weight and affordable price.



► Operating Principle



► Model

BTA 80A -S

Air balancer

Max. lifting weight

80 : 80kg
120 : 120kg

Mounting

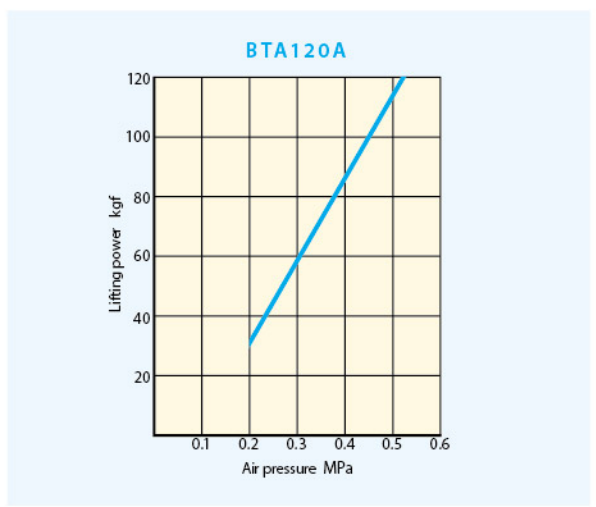
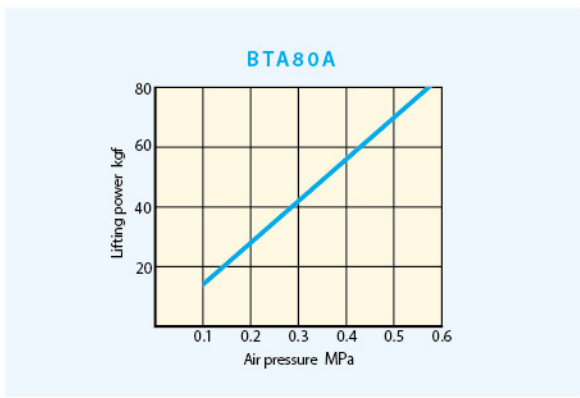
S : Carriable type
B : Floor standing type
W : Wall mounted type
C : Ceiling mounted type
E : Other

► Specification

Model	Working radius	Lifting stroke	Max. lifting weight	Air pressure	Turning angle
BTA80A	2060mm	1500mm	80kg	0.3~0.6MPa	360°
BTA120A	2138mm	1500mm	120kg		

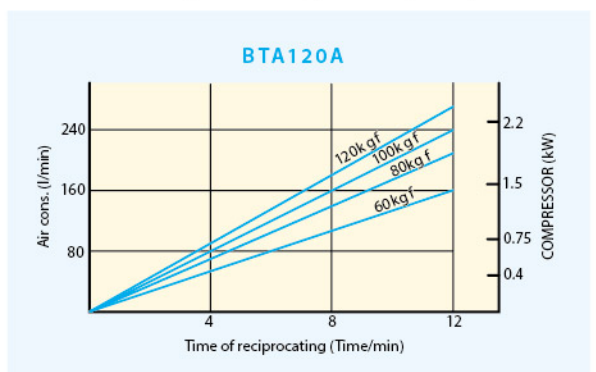
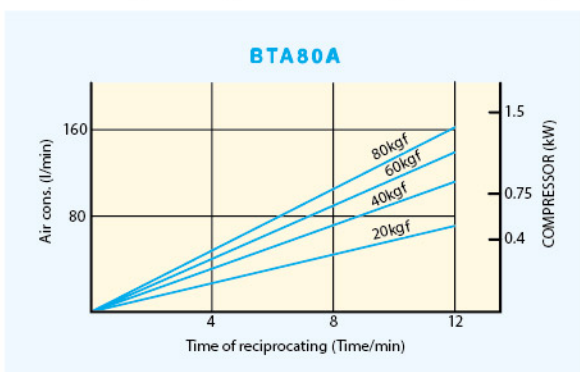
Air pressure and lifting power

Lifting power depends on supplied air pressure.



Air consumption

Air consumption depends on lifting load, please prepare suitable compressor for your frequency in use.



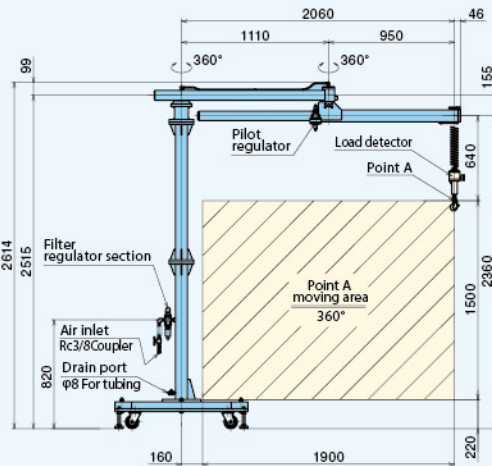
In case of you reciprocate 80kgf object 8times with BTA80A, Please use a compressor more than 0.75kW capacity.

► Outline drawings(80kg)

Ambient temperature(Indoor) : 5°C40°C

BTA80A-S

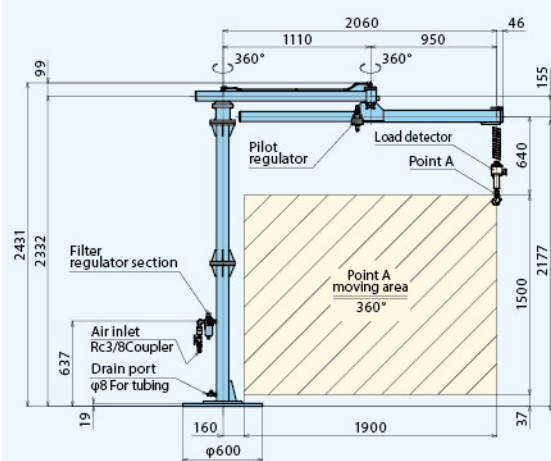
Carriable type



Note : Please place on flat and strong floor.

BTA80A-B

Floor standing type

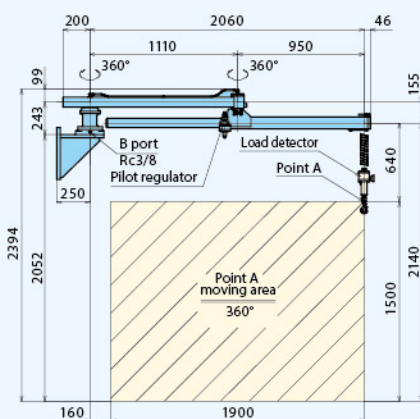


Note : Please install on flat and strong floor.

Note : BTA80A-B shall be installed on concrete floor.

BTA80A-W

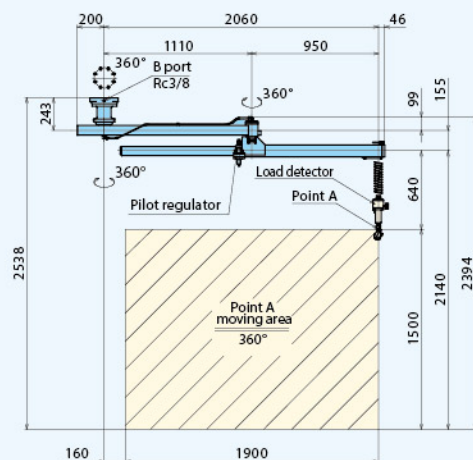
Wall mounted type



Note : Please installed on pillar that has enough strength.
(Ref. H beam size:150mmx150mm, I beam size:200mmx150mm)

BTA80A-C

Ceiling mounted type



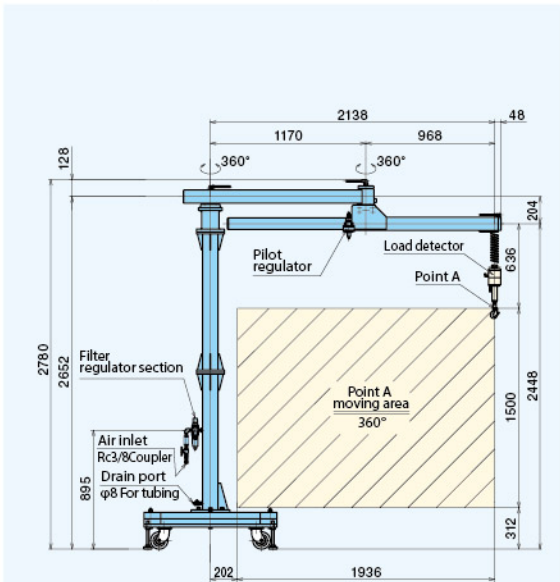
Note : Please prepare bracket and installon beam that have enough strength.
(Ref. H beam size:100mmx100mm, I beam size:180mmx100mm)

► Outline drawings(120kg)

Ambient temperature(Indoor) : 5°C40°C

BTA120A-S

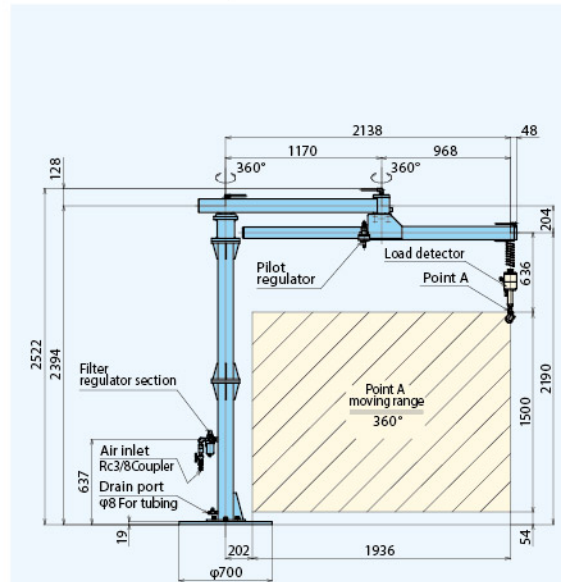
Carriable type



Note : Please place on flat and strong floor.

BTA80A-B

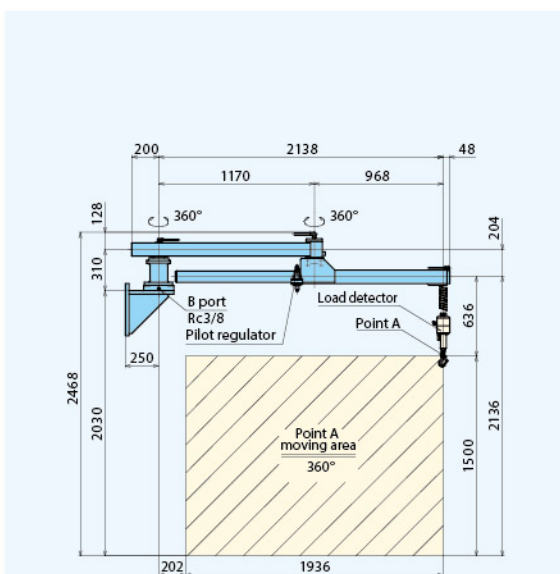
Floor standing type



Note : Please install on flat and strong floor.
Note : BTA80A-B shall be installed on concrete floor.

BTA120A-W

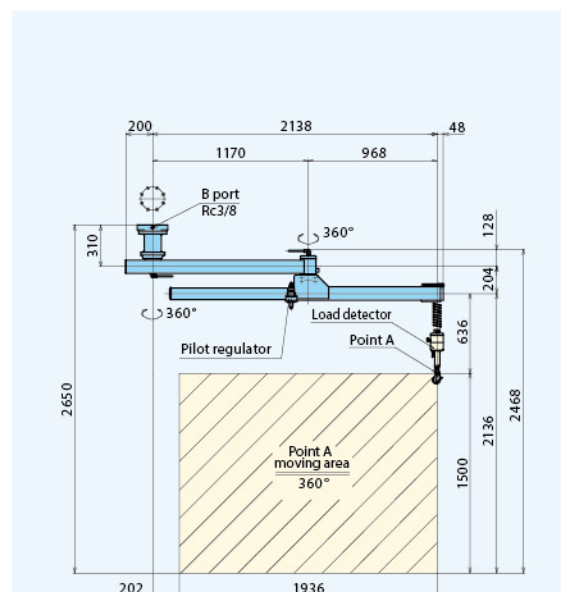
Wall mounted type



Note : Please installed on pillar that has enough strength.
(Ref. H beam size:150mmx150mm, I beam size:200mmx150mm)

BTA120A-C

Ceiling mounted type



Note : Please prepare bracket and install on beam that have enough strength.
(Ref. H beam size:100mmx100mm, I beam size:180mmx100mm)

How to select

► Working area

360°Turnable main arm and sub arm enable easy carrying object linearly.

Model/ Area	F	A	B	S
BTA80A	160	2060	1110	1500
BTA120A	202	2138	1170	1500

Note : Please feel free to contact us for Working area.

► Option

Big hook for detector

normal:22mm→33mm

Long arm

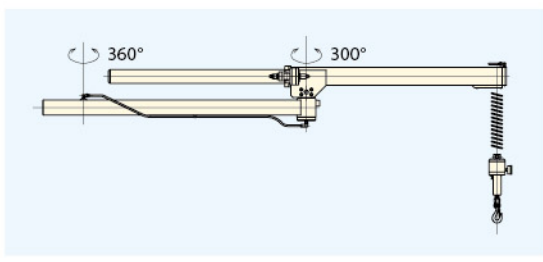
Additional 500, 790mm extension arms are available for BTA80A

Pillar height

Extension, shorten pillar is available (±25mm span)

Low height type

Low height type is available to obtain more stroke at Low ceiling place



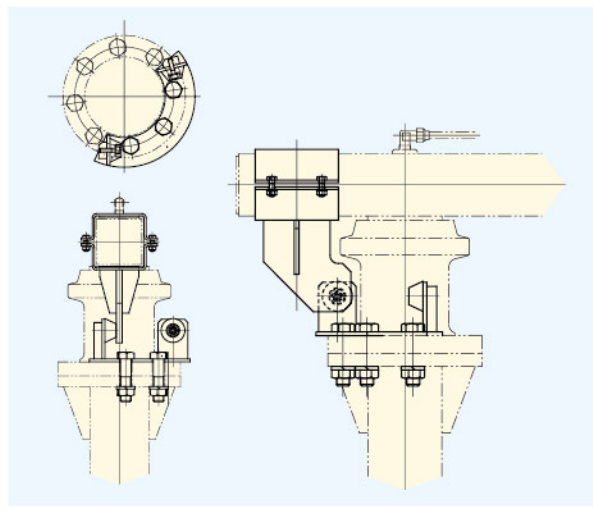
Big castor wheel

Standard $\phi 100\text{mm}$ → $\phi 130\text{mm}$ or $\phi 150\text{mm}$

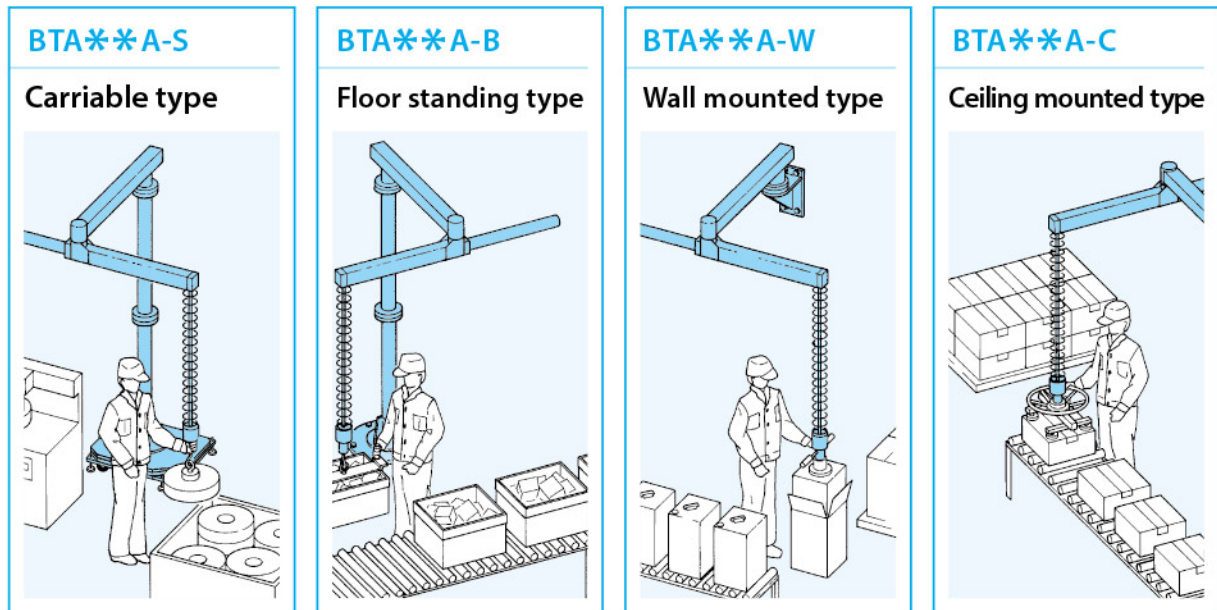
Note : Working area and dimension will be changed.

Turning stopper

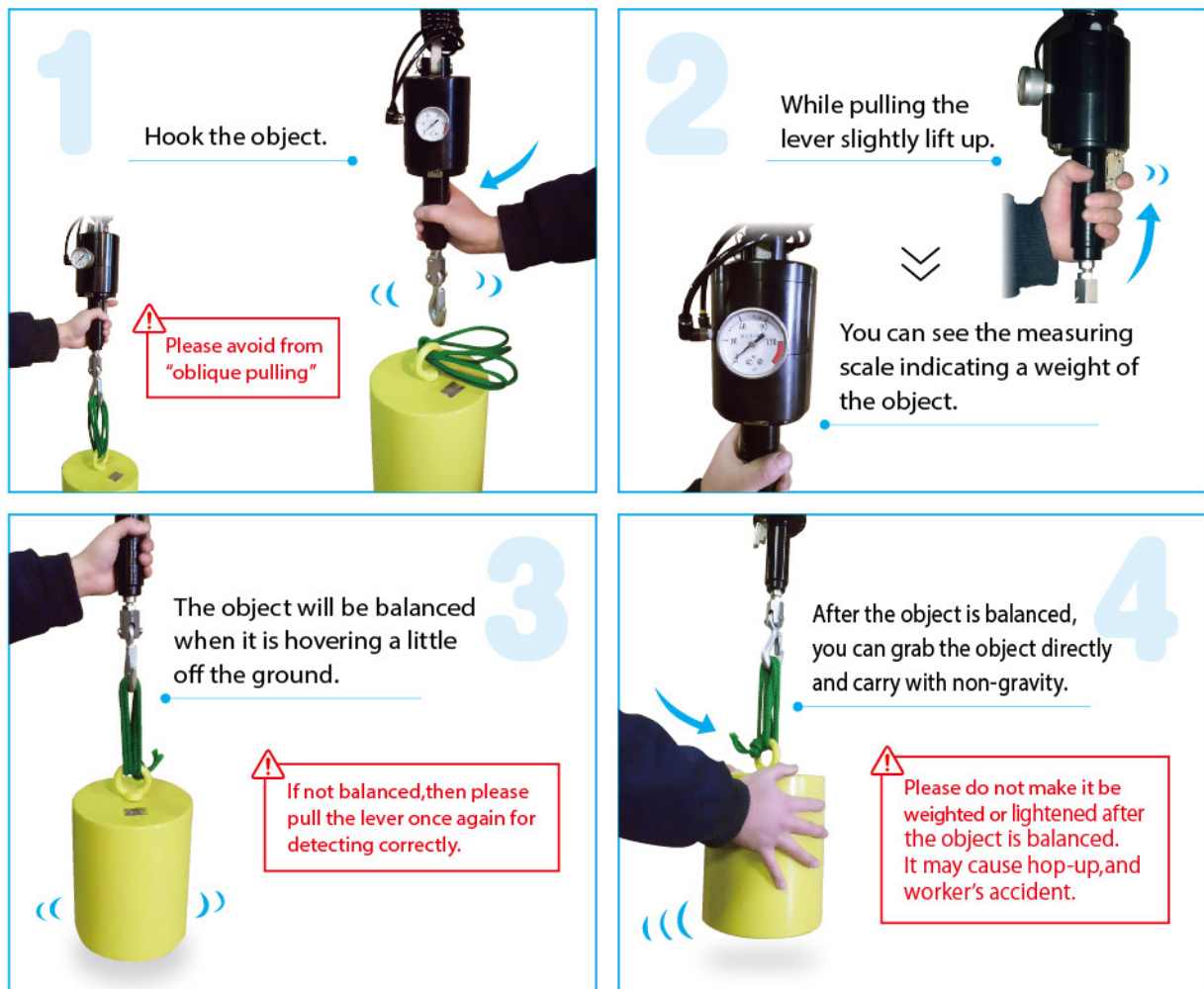
Limit turning angle to prevent hit other machine and facility



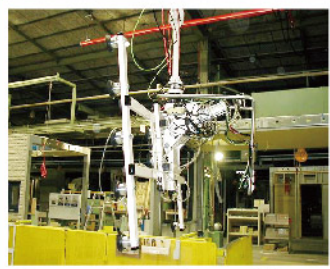
▶ Example of installation



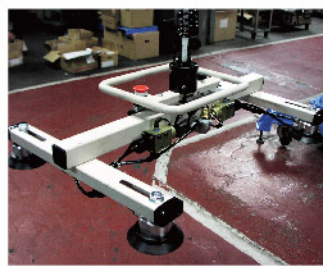
▶ Operating Procedure



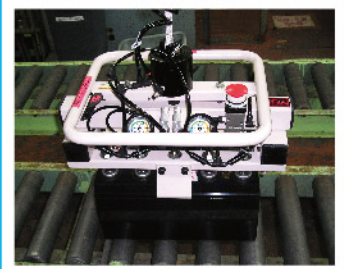
► Result



Vacuum adsorption machinery for glass board



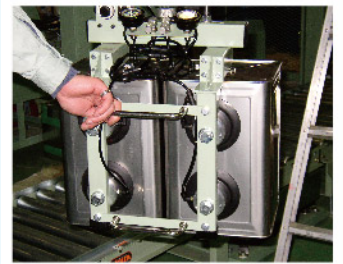
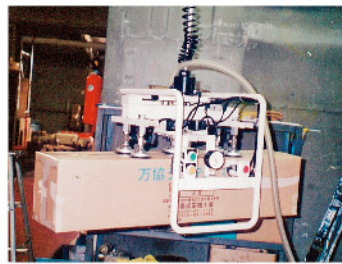
Vacuum adsorption machinery



Ejector adsorption machinery



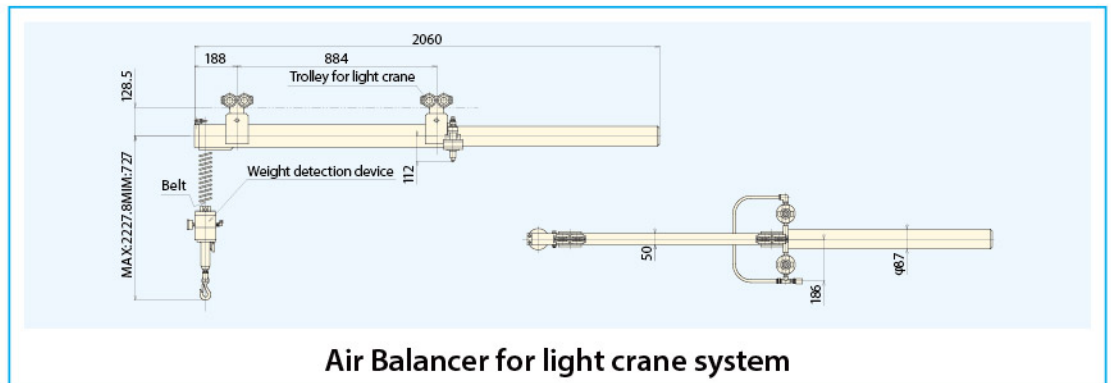
Vacuum adsorption machinery for carton box



Vacuum adsorption machinery for can

Note : Please feel free to contact us, we have result for various of object.

► Specialized air balancer



Air Balancer for light crane system

San-ei Seiki Seisakusho Co., Ltd.

Fukushima office

1-5 Tokireba, Okajima, Fukushima City, Fukushima , Japan 960-8201
TEL. +81-24-573-5330 FAX. +81-24-573-5655 E-mail : fukushima@sanei-air.com

Overseas Dept. in Tokyo office

28-5,1-chome, Nihonbashi-kakigaracho, Chuo-ku, Tokyo Japan 103-0014
TEL. +81-3-5651-8081 FAX. +81-3-5651-8082 E-mail : tokyo@sanei-air.com

Osaka office

RM 1001 Module shinosaka,5-1-4 Nishinakajima, Yodogawa-Ku,Osaka City, Osaka Japan 532-0011
TEL.+81-6-6195-4666 FAX. +81-6-6195-6677 E-mail : osaka@sanei-air.com

URL: <http://sanei-air.com/>

Note : Illustrations and specifications may be changed without notice and intended for guidance only. Please consults for current products details