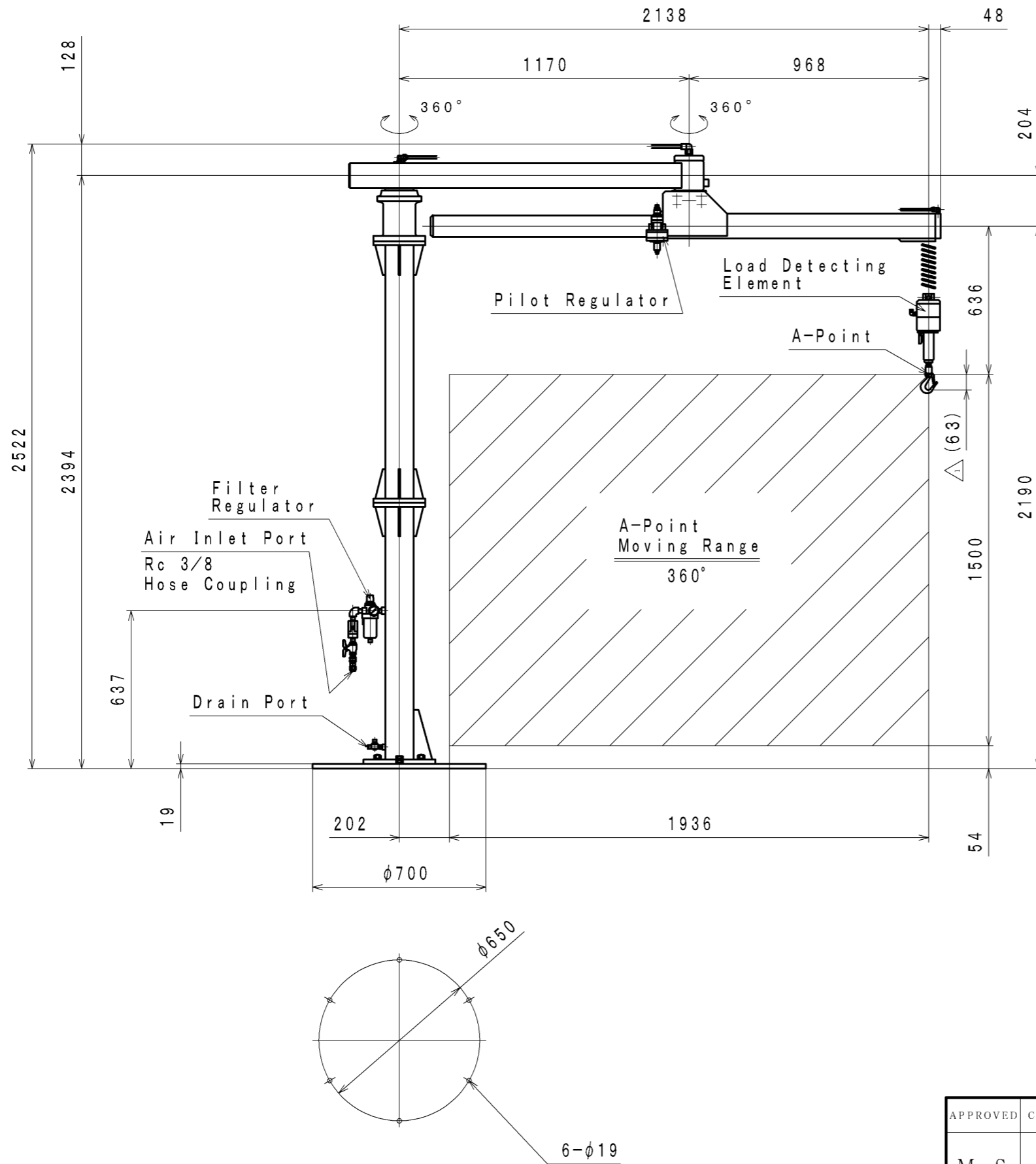


SIGN	R E V I S I O N	DATE	B Y
△	Renewal	160411	W. S



**SPECIFICATION** △

Air Pressure	0. 6MPa (6 kgf/cm <sup>2</sup> )
Maximum Suspension Load (Attachment Weight is contained.)	1. 2kN (120 kgf)
Vertical Movement Range	1500 mm
Maximum Turning Angle	360°
Weight	約210kg

APPROVED	CHECKED	REVIEWED	DRAWN	PARTICULARS	OUTLINE DRAWING	DATE	JAN. 12. 1996
M. S		R. T	W. S	MODEL	BTA120A-B	NOTE	
					Air Balancer	Z94-039	
SAN-EI SEIKI SEISAKUSHO CO., LTD.					DWG. NO.	E396-007 △	SCALE
						1/20	