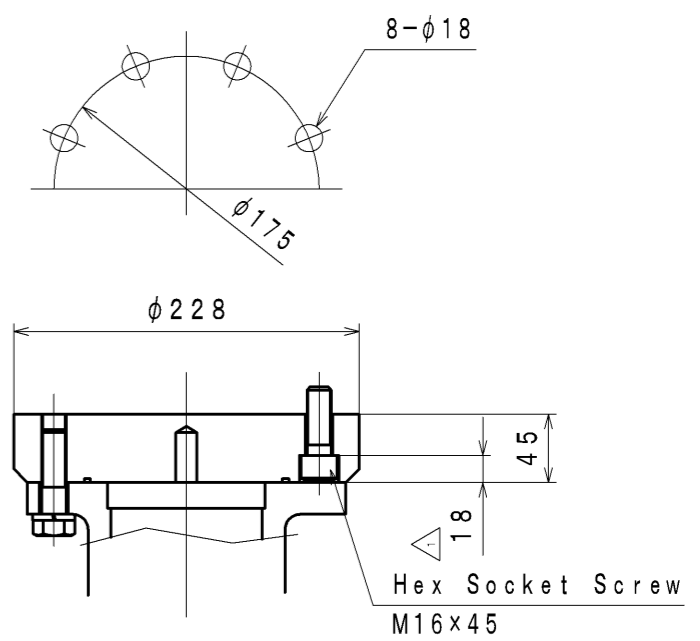
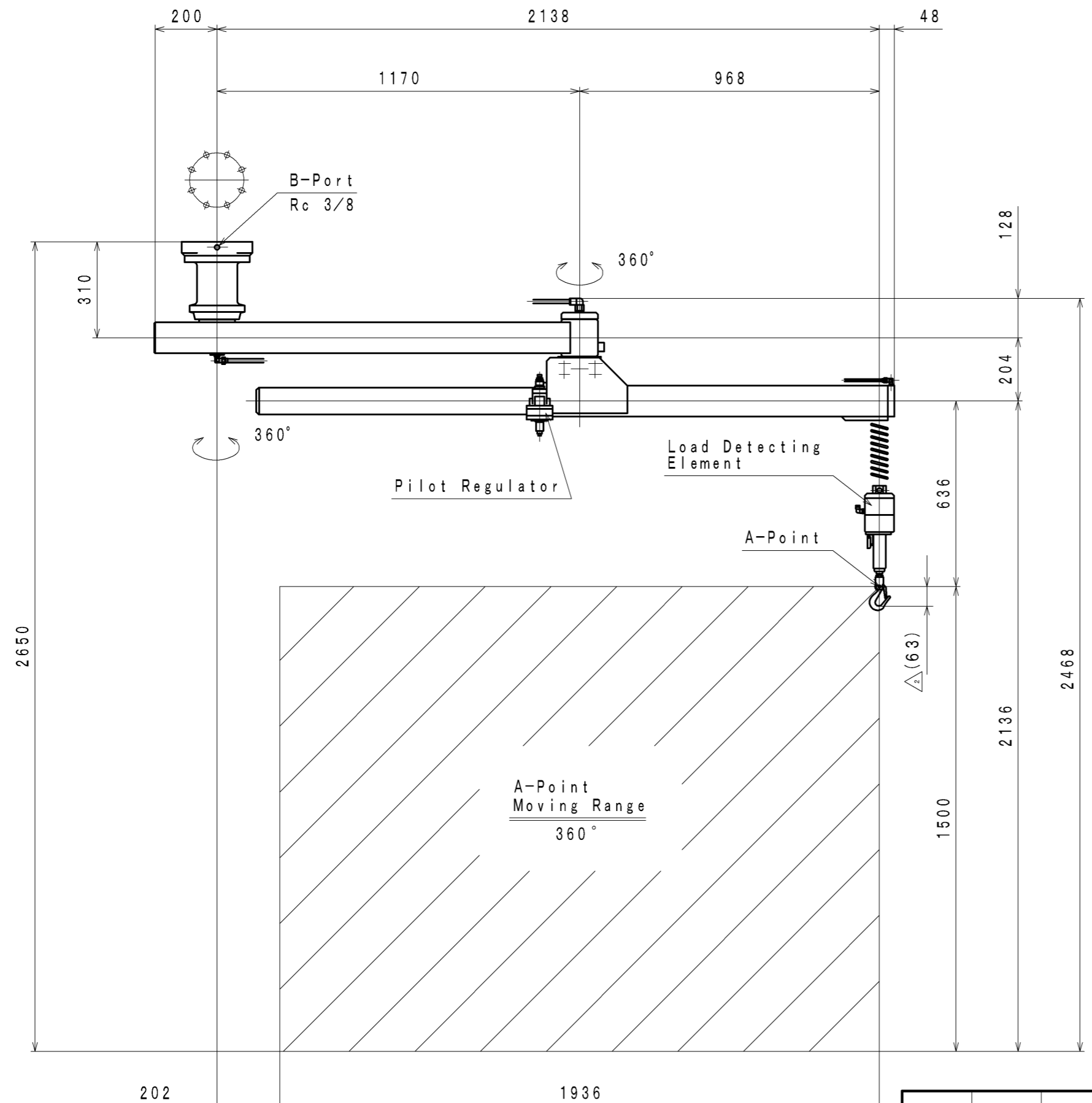
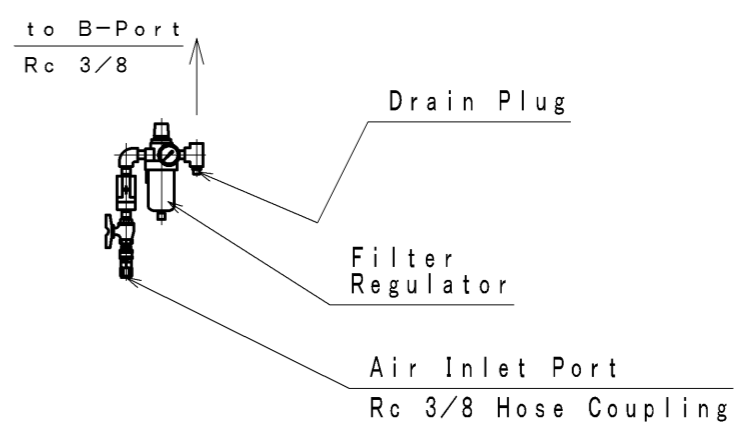


SIGN	REVISION	DATE	B Y
△1	Q-317	961014	M. T
△2	Renewal	160411	W. S



SPECIFICATION △2

Air Pressure	0. 6MPa (6 kgf/cm ²)
Maximum Suspension Load (Attachment Weight is contained.)	1. 2kN (120 kgf)
Vertical Movement Range	1500 mm
Maximum Turning Angle	360°
Weight	約120kg



APPROVED	CHECKED	REVIEWED	DRAWN	PARTICULARS	OUTLINE DRAWING	DATE	JAN. 12. 1996
M. S		R. T	W. S	MODEL	BTA120A-C	NOTE	
					Air Balancer	Z94-041	
SAN-EI SEIKI SEISAKUSHO CO., LTD.					DWG. NO.	E396-009	SCALE 1/15