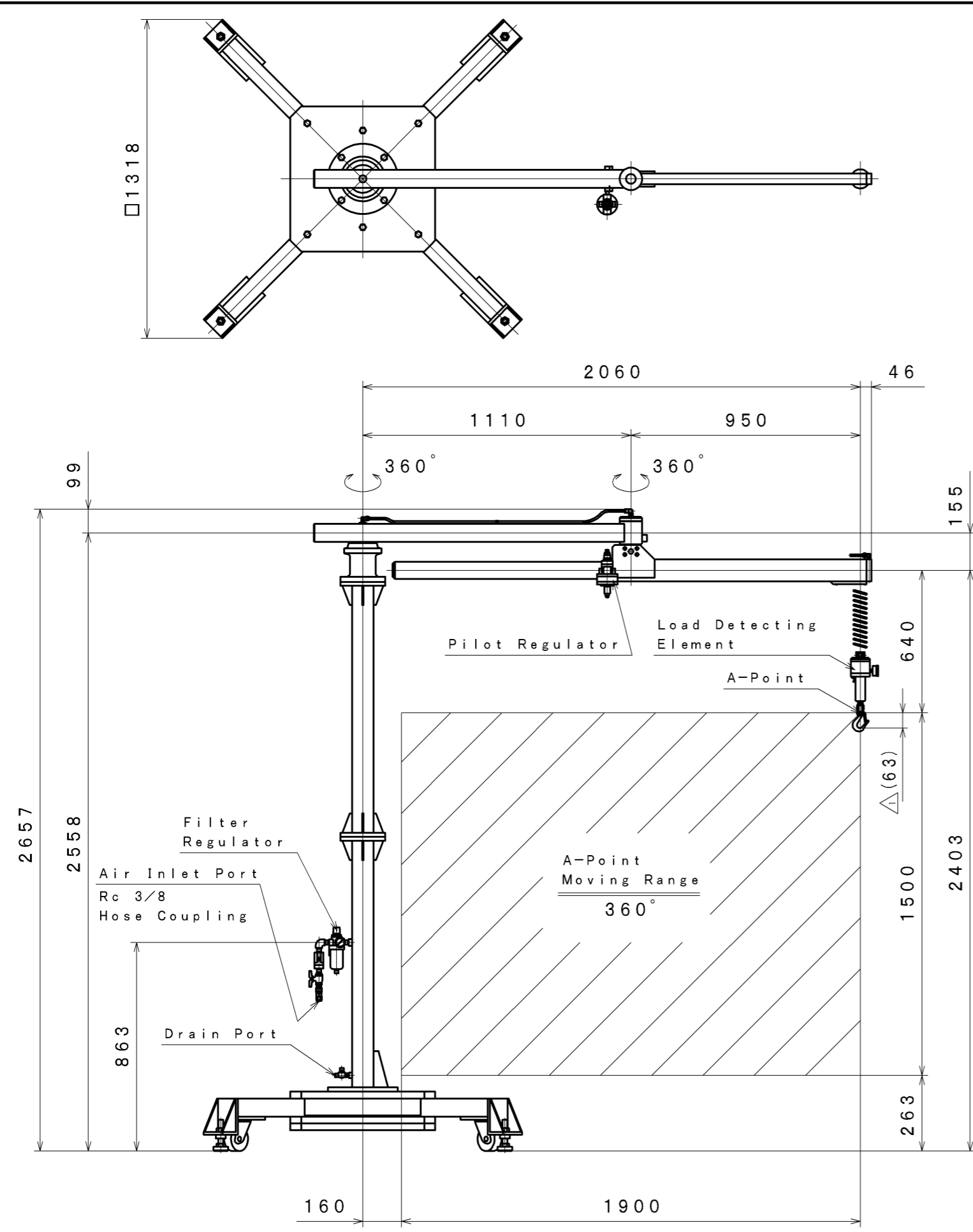


SIGN	R E V I S I O N	DATE	B Y
△	Renewal	151030	Y. T



SPECIFICATION △

Air Pressure	0. 6MPa (6 kgf/cm ²)
Maximum Suspension Load (Attachment Weight is contained.)	0. 8 kN (80 kgf)
Vertical Movement Range	1500 mm
Maximum Turning Angle	360°
Weight	約510kg

APPROVED	CHECKED	REVIEWED	DRAWN	PARTICULARS	OUTLINE DRAWING	DATE	JAN. 09. 1996
M. S		R. T	W. S	MODEL	BTA80A-S	NOTE	
					Air Balancer	Z95-016	
SAN-EI SEIKI SEISAKUSHO CO., LTD.					DWG. NO.	E396-001	SCALE 1/20