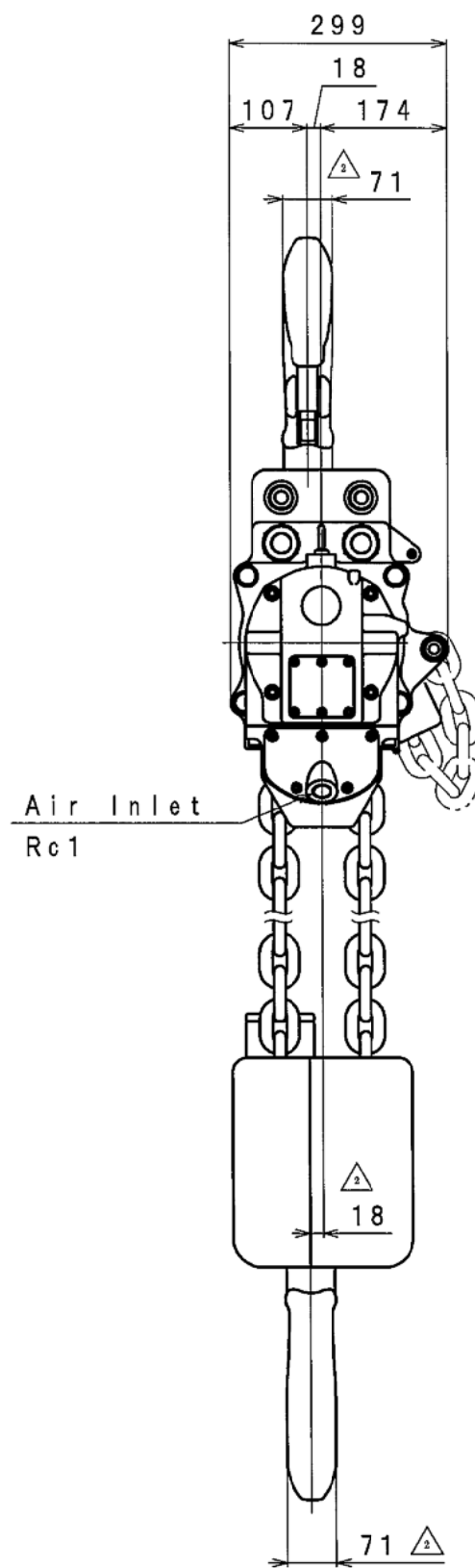
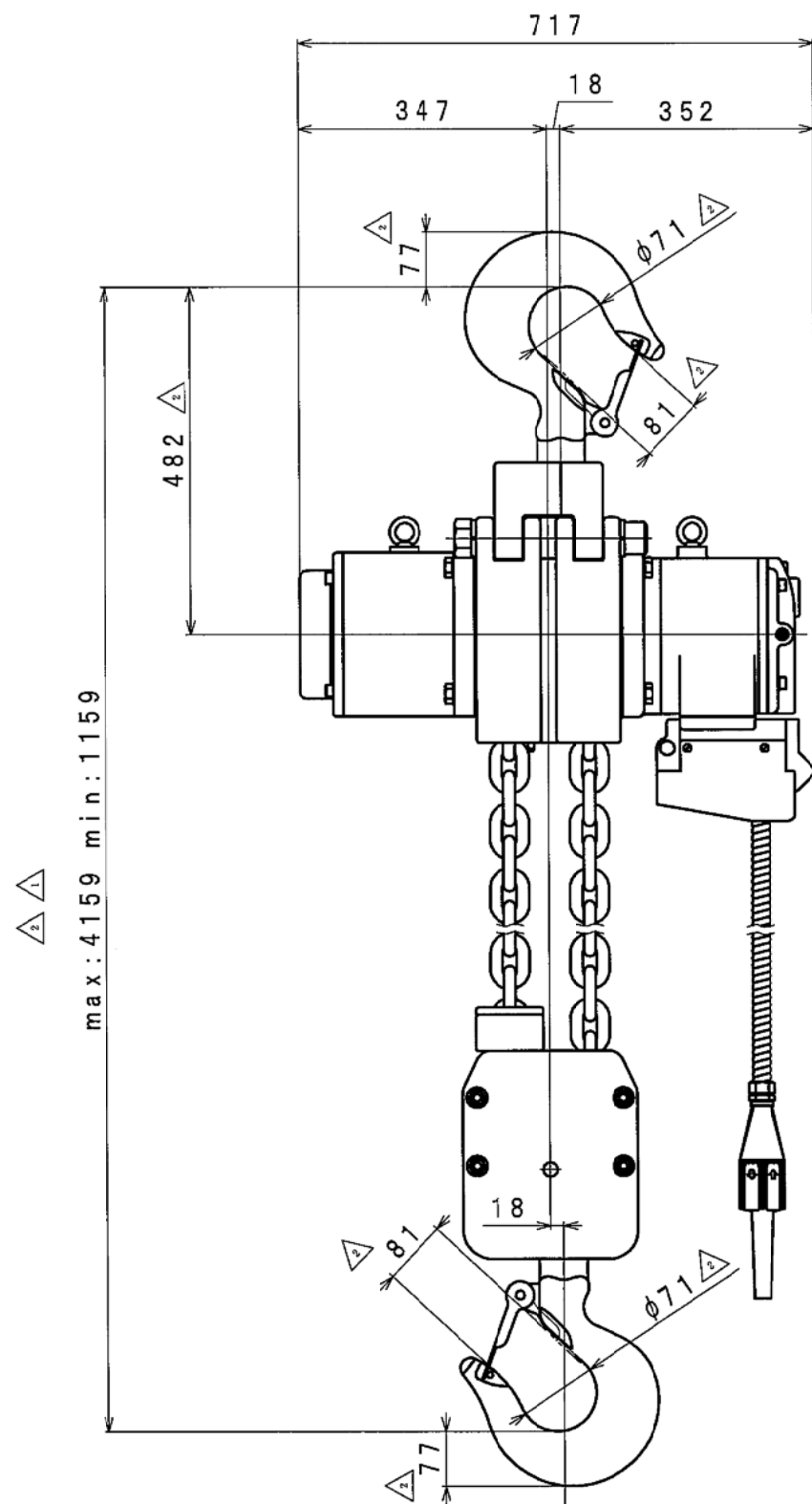


SIGN	R E V I S I O N	DATE	B Y
△1	Renewal	120704	M. A
△2	Renewal	120724	M. A



REFERENCE

SPECIFICATION

AIR PRESSURE	(MPa)	0.5
CAPACITY	(kg)	15000
LIFTING SPEED	(m/min)	1.2
AIR CONSUMPTION	(m ³ /min (nor))	about 6.2 △1 △2
LIFT	(m)	3
MASS	(kg)	about 310

APPROVED	CHECKED	REVIEWED	DRAWN	PARTICULARS	OUTLINE DRAWING	DATE	APR. 11. 2012
<i>[Signature]</i>	<i>[Signature]</i>		<i>Masakazu Abe</i>	MODEL	GLX15LP AIR HOIST	NOTE	
SAN-EI SEIKI SEISAKUSYO CO., LTD.					DWG. NO.	E312-100 △2	
					SCALE	1/10	