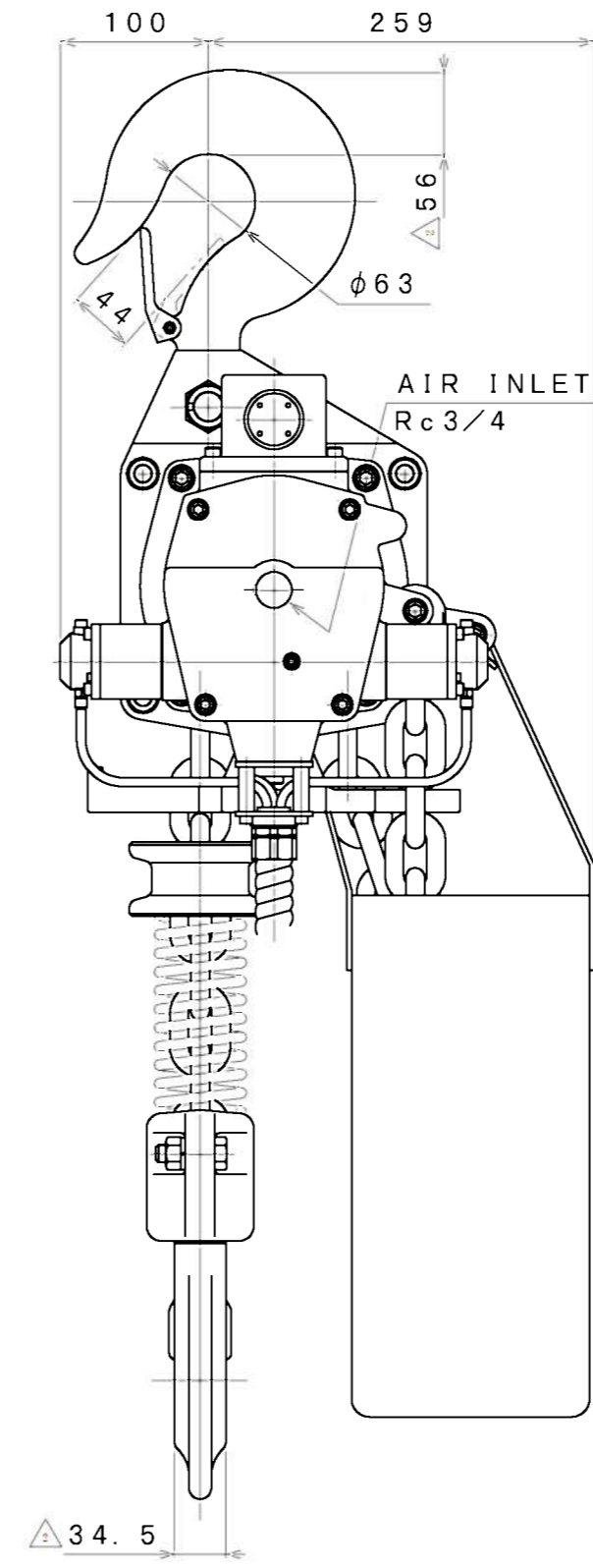
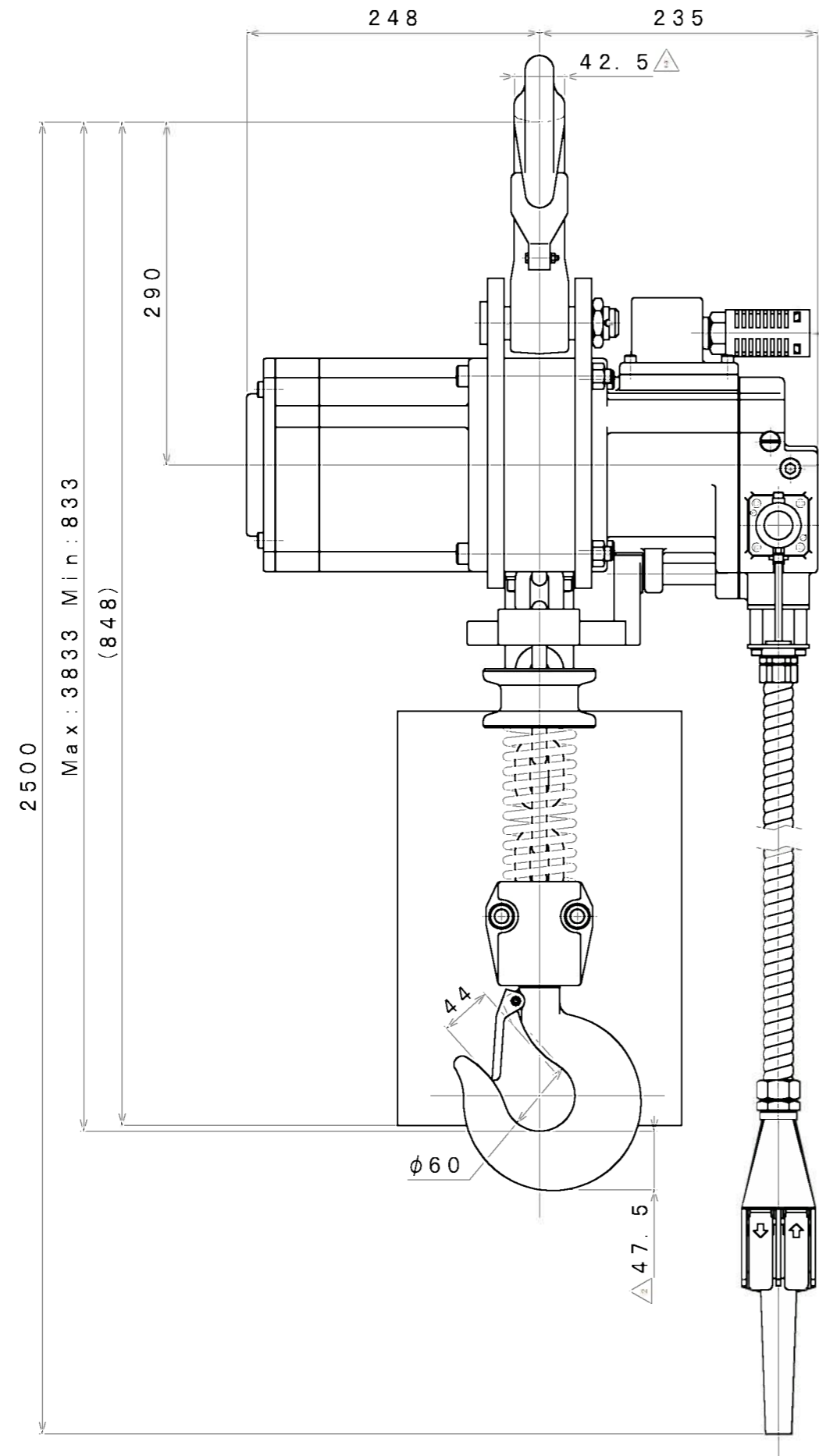


SIGN	REVISION	DATE	BY
△1	CORRECTION	100705	R. T
△2	Renewal	130321	W. S



SPECIFICATION

AIR PRESSURE (MPa)	0.4	0.5	0.6
CAPACITY (kg)	3000		
LIFTING SPEED (m/min)	2.0	2.8	3.5
△ AIR CONSUMPTION (m ³ /min (nor))	2.0	2.5	3.1
LIFT (m)	3		
MASS (kg)	about 110		

APPROVED	CHECKED	REVIEWED	DRAWN	PARTICULARS	OUTLINE	DATE	AUG. 07. 2008
M. S	K. S	R. T	W. S	MODEL	VHX300LP	NOTE	
					AIR HOIST		
SAN-EI SEIKI SEISAKUSHO CO., LTD.					DWG. NO.	E308-280	SCALE 1/5