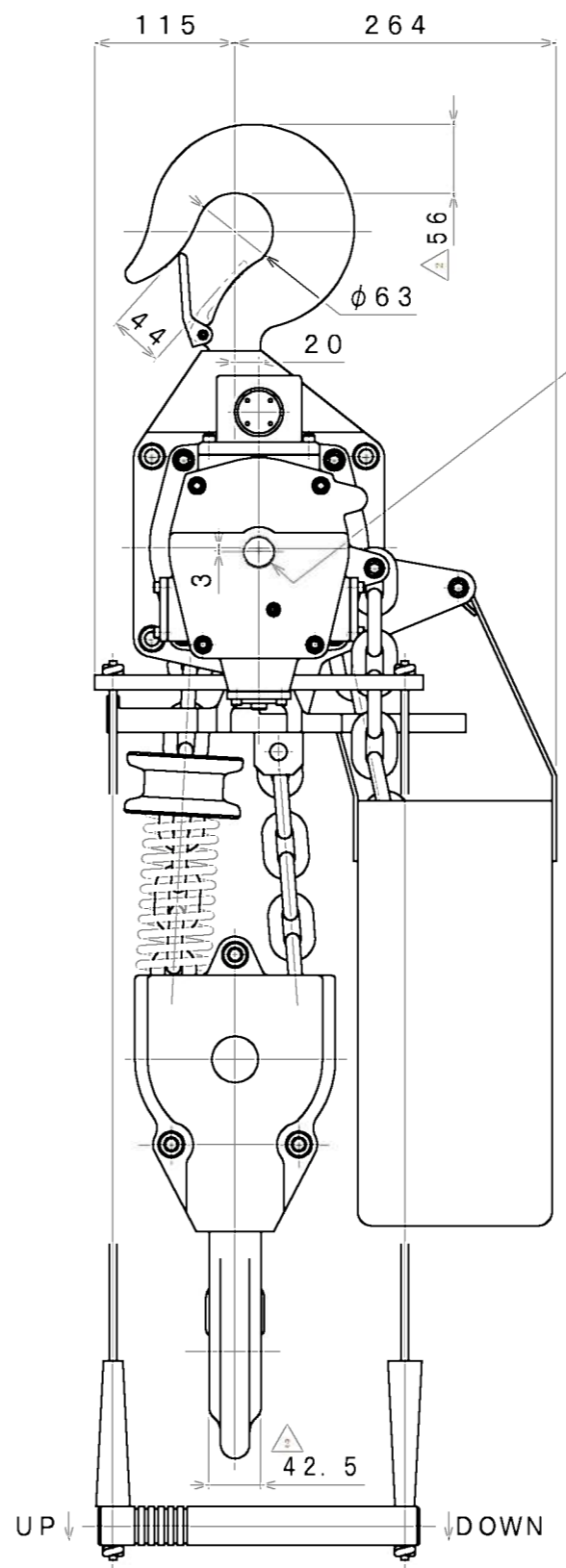
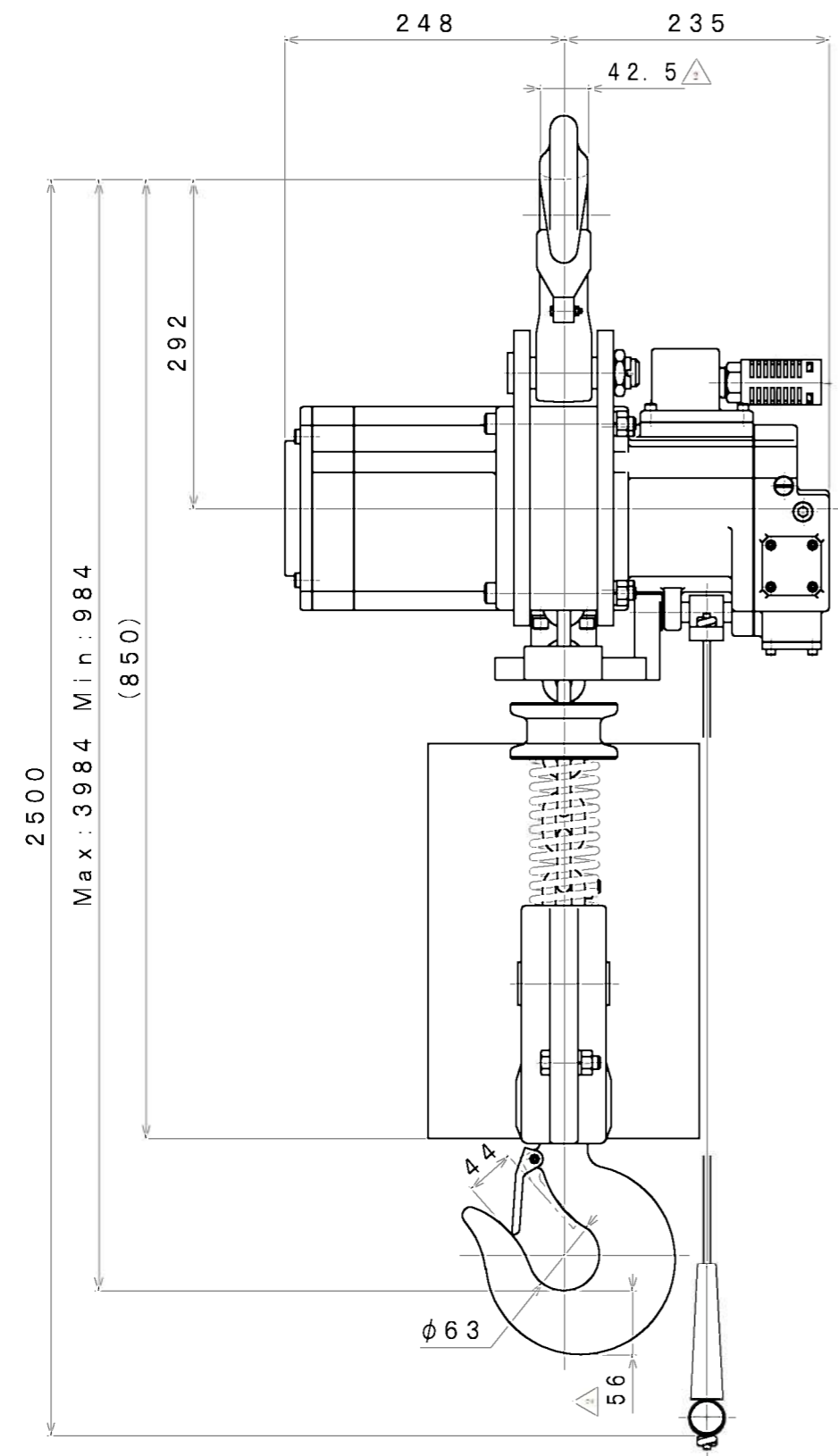


SIGN	REVISION	DATE	BY
△1	CORRECTION	100705	R. T
△2	Renewal	160408	W. S



AIR INLET  
Rc 3/4

SPECIFICATION

AIR PRESSURE	(MPa)	0.4	0.5	0.6
CAPACITY	(kg)	5000		
LIFTING SPEED	(m/min)	1.1	1.5	1.9
AIR CONSUMPTION (m <sup>3</sup> /min (nor))		2.0	2.5	3.1
LIFT	(m)	3		
MASS	(kg)	about 110		

APPROVED	CHECKED	REVIEWED	DRAWN	PARTICULARS	OUTLINE	DATE	AUG. 07. 2008
	M. S		K. S	MODEL	VHX500LC	NOTE	
					AIR HOIST		
SAN-EI SEIKI SEISAKUSHO CO., LTD.					DWG. NO.	E 308-281	SCALE 1/6