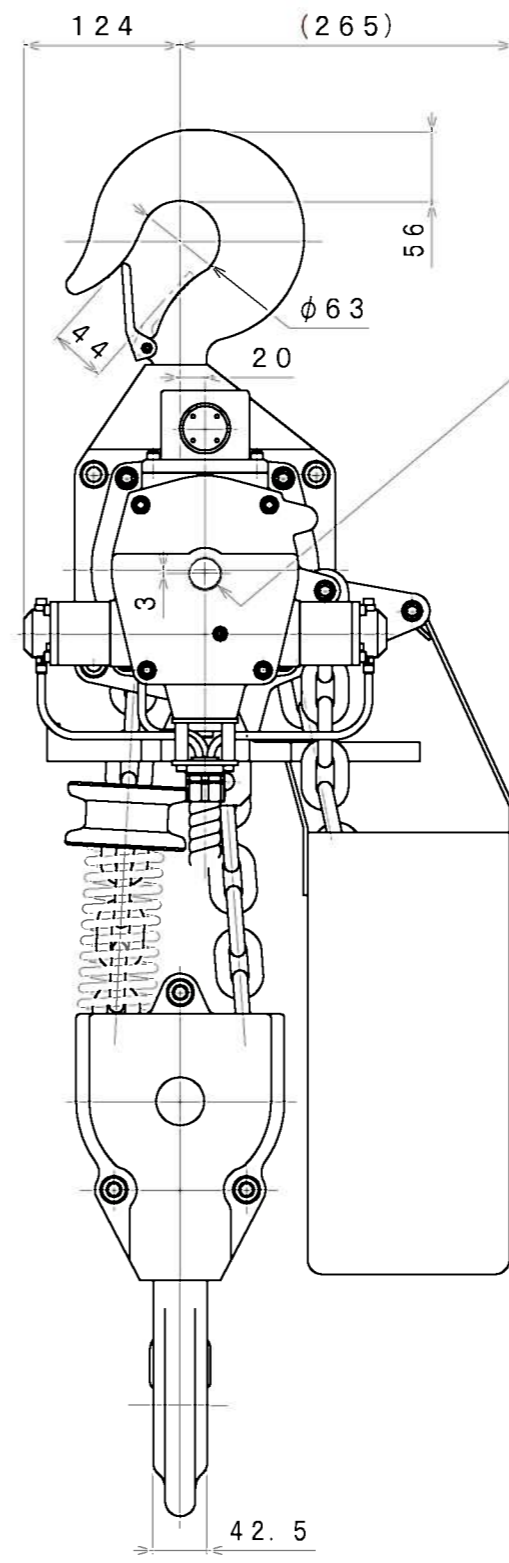
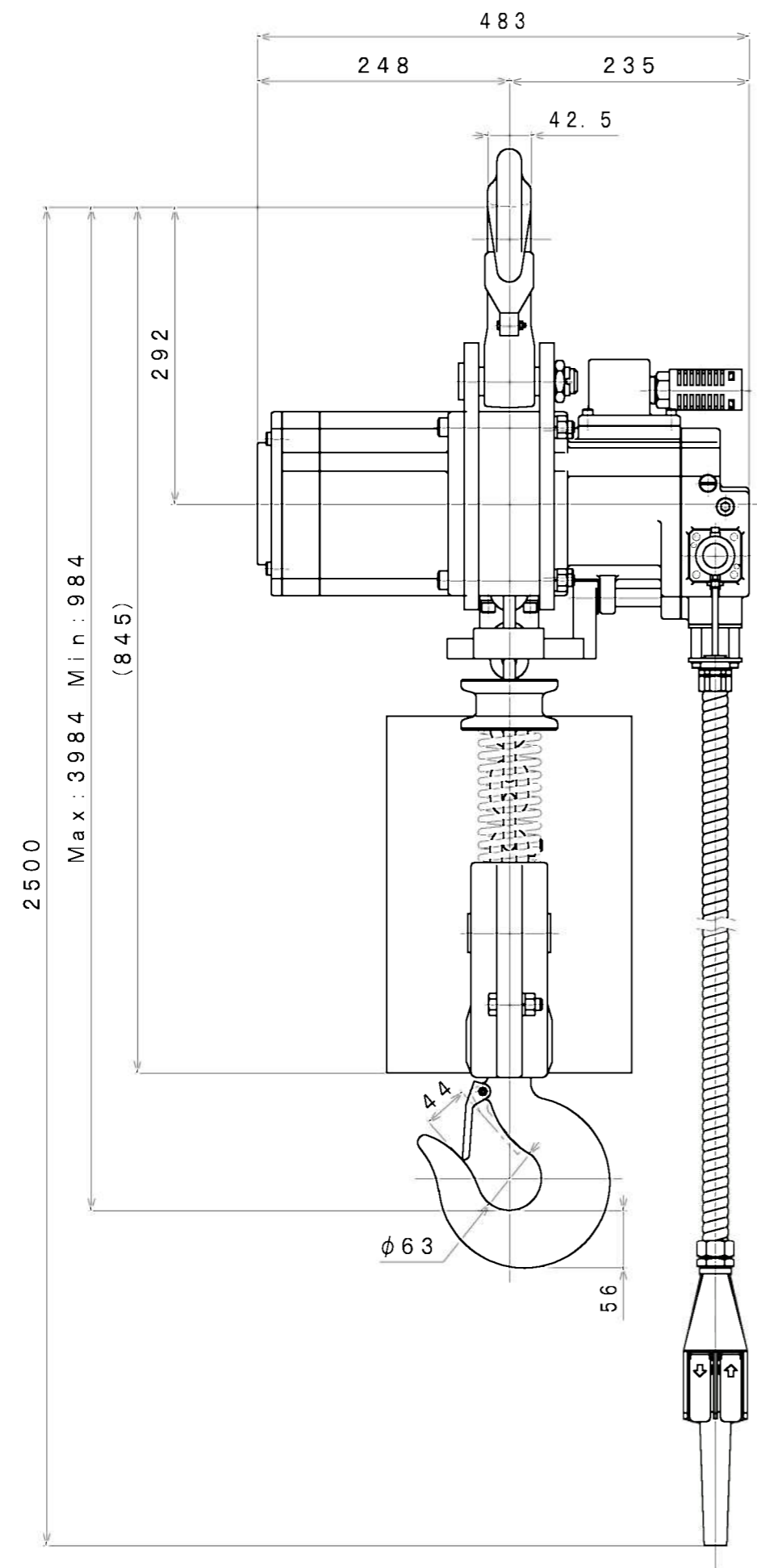


SIGN	REVISION	DATE	BY
△			



AIR INLET  
Rc 3/4

**SPECIFICATION**

AIR PRESSURE	(MPa)	0.4	0.5	0.6
CAPACITY	(kg)	5000		
LIFTING SPEED	(m/min)	1.1	1.5	1.9
AIR CONSUMPTION	(m <sup>3</sup> /min (nor))	2.0	2.5	3.1
LIFT	(m)	3		
MASS	(kg)	about 115		

APPROVED	CHECKED	REVIEWED	DRAWN	PARTICULARS	OUTLINE	DATE	MAR. 14. 2014
M. S	K. S	R. T	W. S	MODEL	VHX500LP	NOTE	
					AIR HOIST		
SAN-EI SEIKI SEISAKUSHO CO., LTD.					DWG. NO.	E310-159	SCALE
						△	1/6