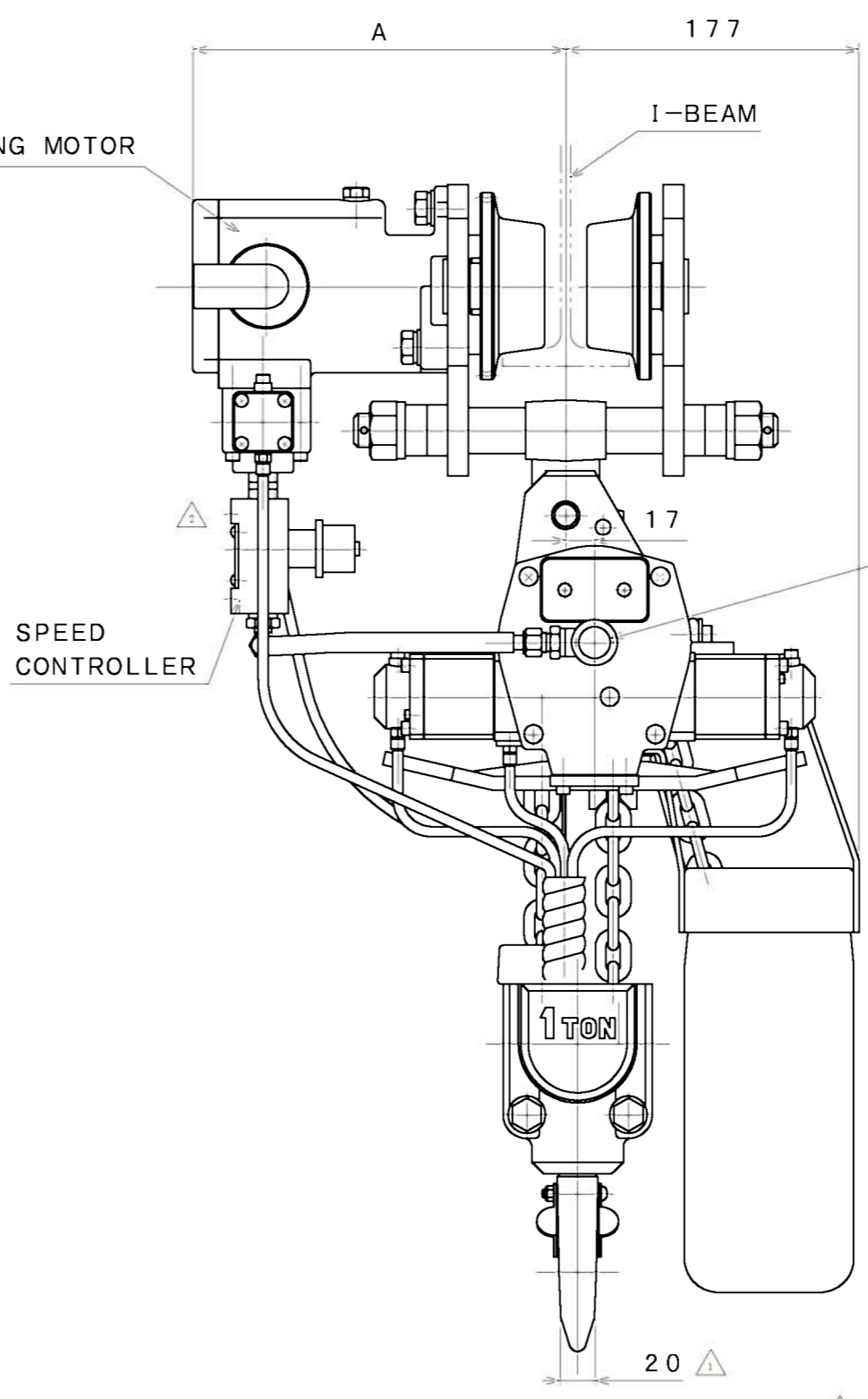
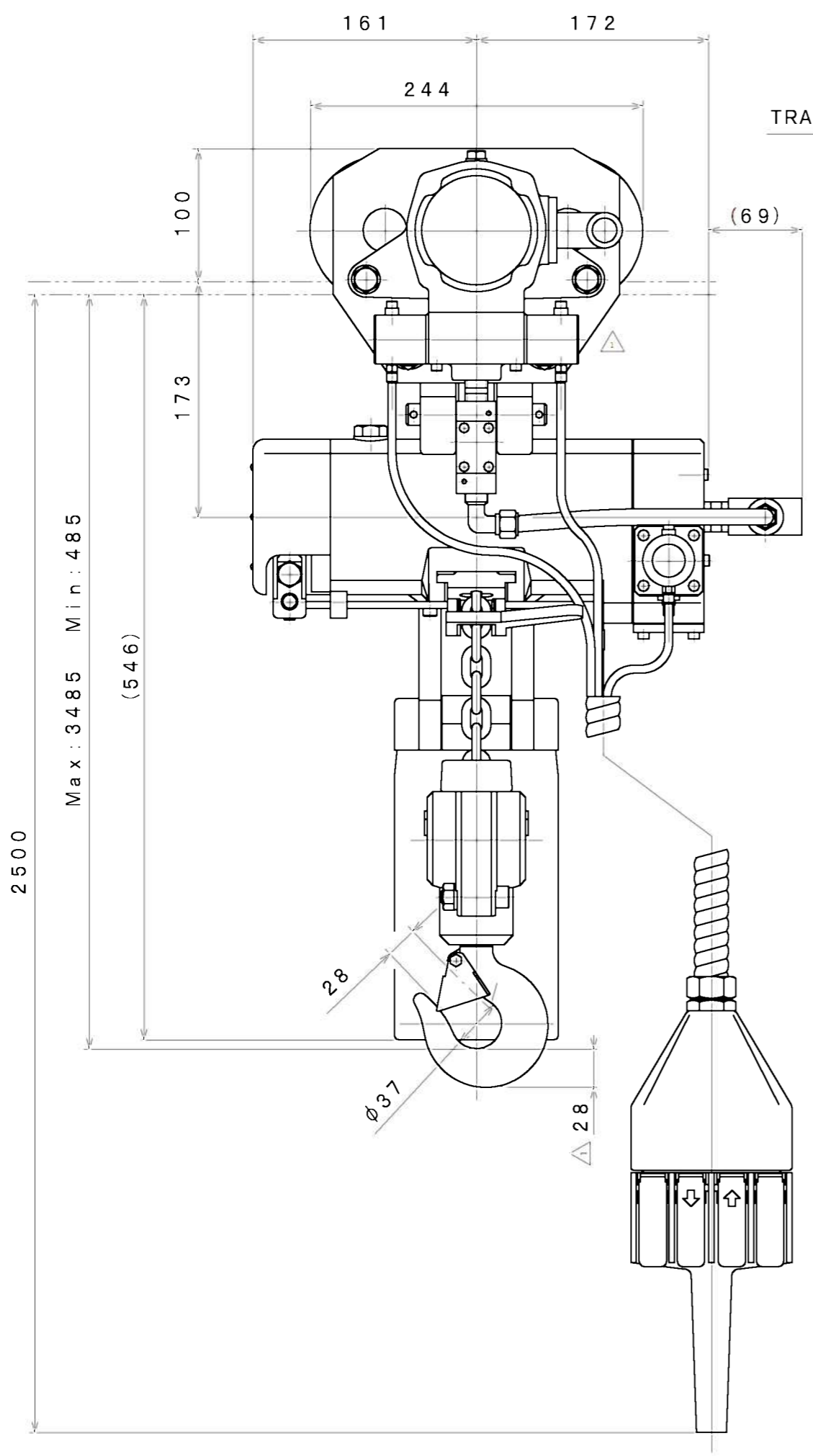


SIGN	REVISION	DATE	BY
△1	Renewal	110516	R. T
△2	Q-676	140613	R. T



I Beam	A
75	220
100	232
125	245

SPECIFICATION △1

AIR PRESSURE	(MPa)	0.4	0.5	0.6
CAPACITY	(kg)	1000		
LIFTING SPEED	(m/min)	3.5	5	6
TRAVELING SPEED	(m/min)	10~20		
AIR CONSUMPTION	(m ³ /min (nor))	1.0	1.3	1.6
LIFT	(m)	3		
MASS	(kg)	about 56 △1		

APPROVED	CHECKED	REVIEWED	DRAWN	PARTICULARS	OUTLINE DRAWING	DATE	JUN. 06. 1997
M. S	K. S		R. T	MODEL	VLX100LP-MR	NOTE	
SAN-EI SEIKI SEISAKUSYO CO., LTD.				DWG. NO.	E397-146 △2	Z96-065	SCALE 1/4