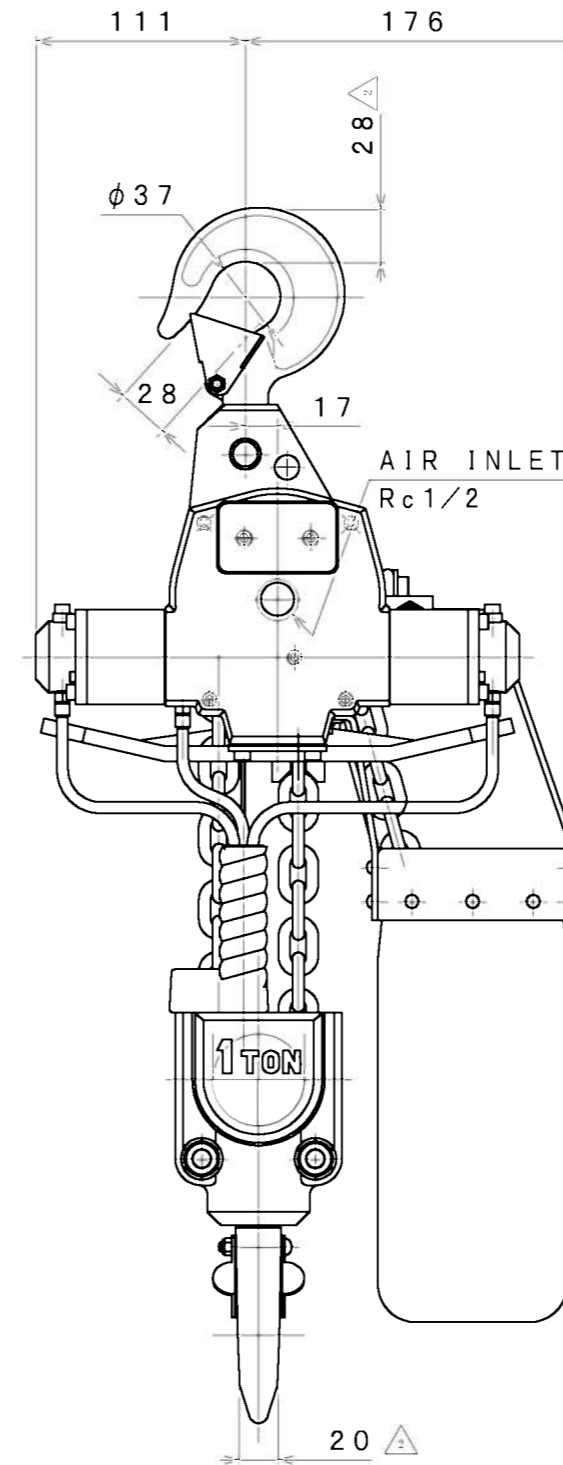
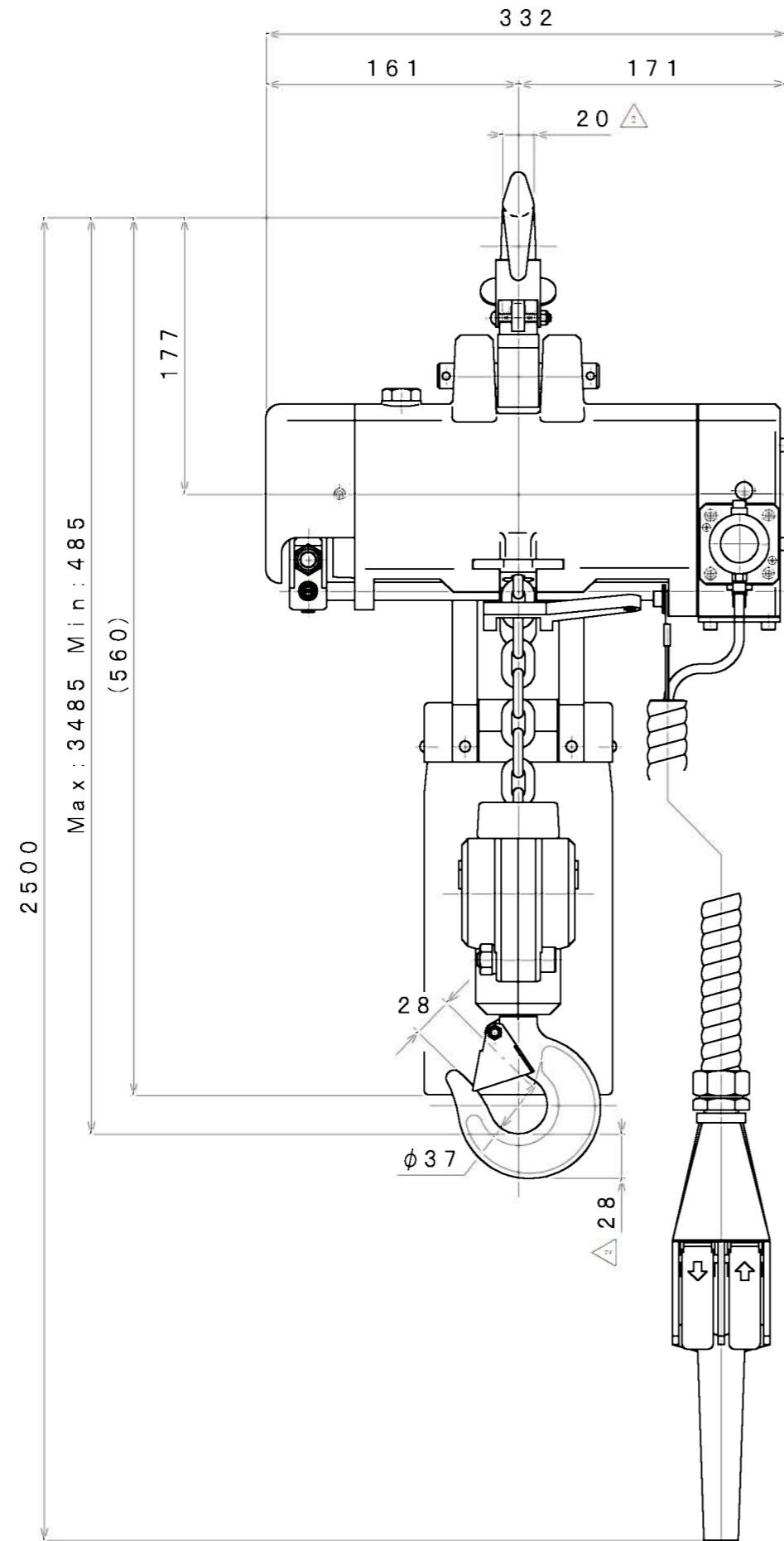


SIGN	REVISION	DATE	B Y
△1	Renewal	100723	W. S
△2	Renewal	101108	R. T
△3	Renewal	150511	A. T



SPECIFICATION

AIR PRESSURE	(MPa)	0.4	0.5	0.6
CAPACITY	(kg)	1000		
LIFTING SPEED	(m/min)	3.5	5	6
△ AIR CONSUMPTION	(m ³ /min (nor))	1.0	1.3	1.6
LIFT	(m)	3		
MASS	(kg)	about 28 △		

APPROVED	CHECKED	REVIEWED	DRAWN	PARTICULARS	OUTLINE DRAWING	DATE	OCT. 24. 1989
M. S		K. S	R. T	MODEL	VLX100LP	NOTE	
					AIR HOIST	Z96-064	
SAN-EI SEIKI SEISAKUSHO CO., LTD.					DWG. NO.	E389-123	SCALE 1/4