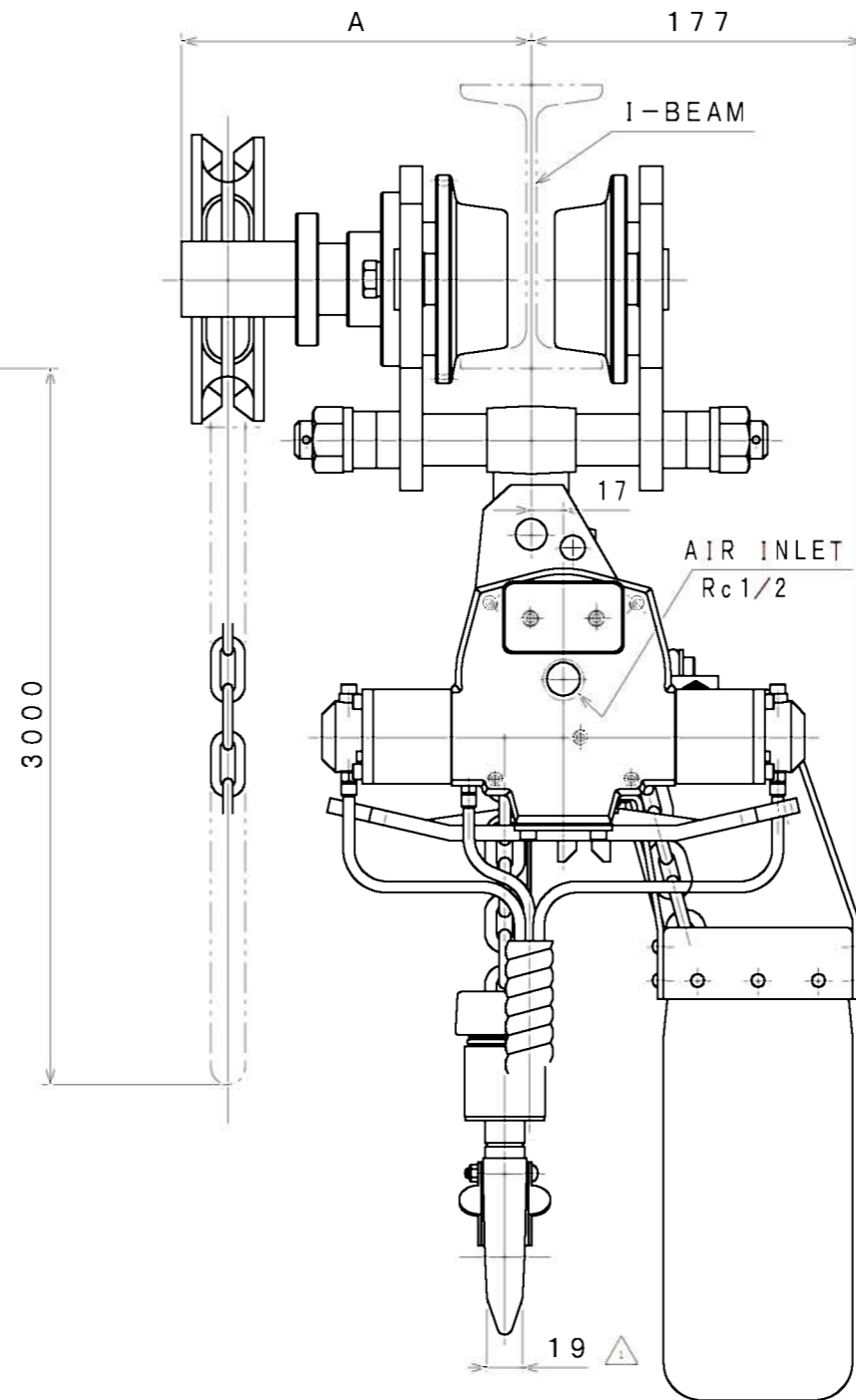
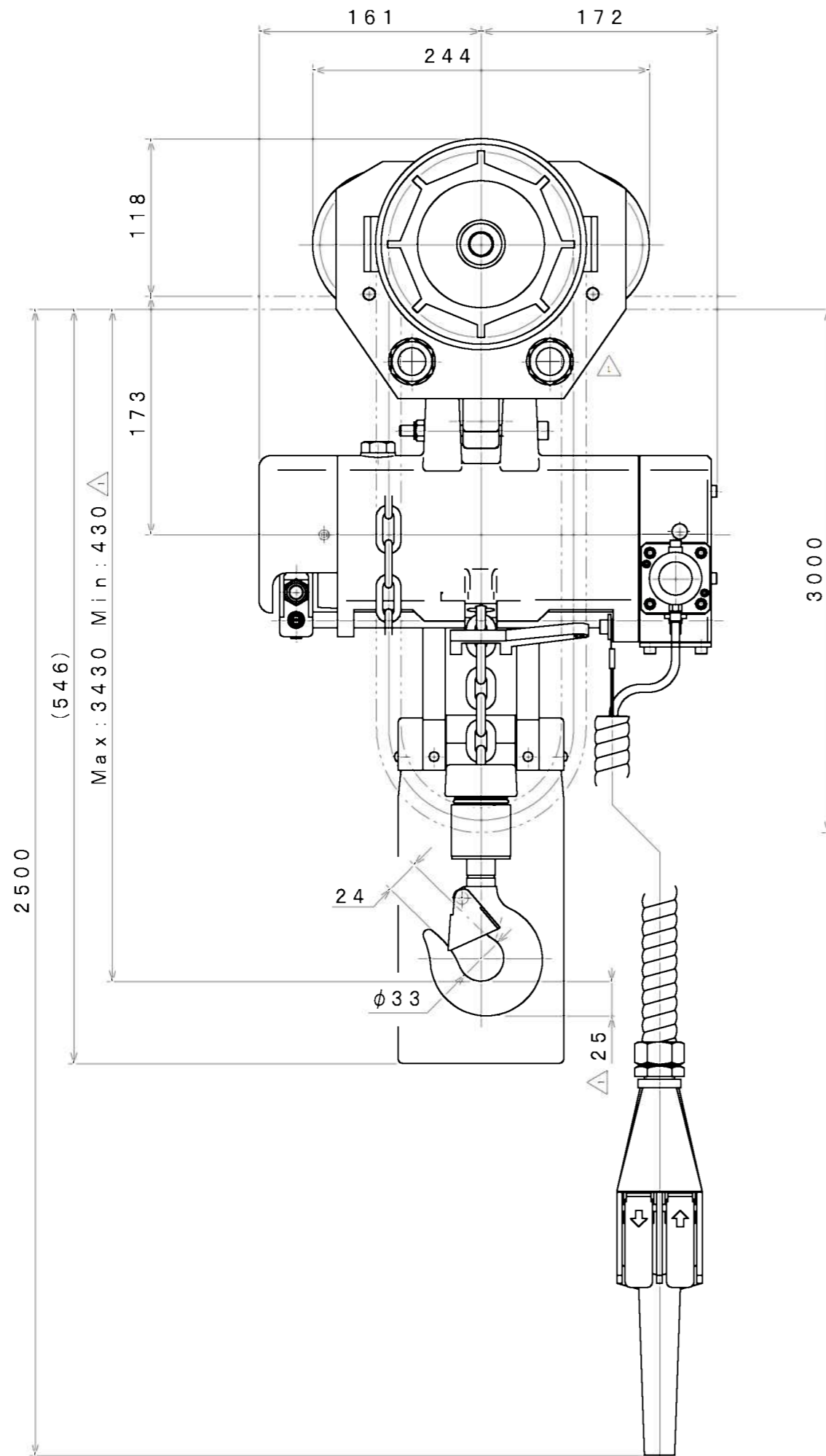


SIGN	REVISION	DATE	B Y
△1	Renewal	110516	R. T
△2	Renewal	150511	A. T



I Beam wide size	A
75	185
100	198
125	210

**SPECIFICATION**

AIR PRESSURE (MPa)	0.4	0.5	0.6
CAPACITY (kg)	250		
LIFTING SPEED (m/min)	13	15	17
△ AIR CONSUMPTION (m <sup>3</sup> /min (nor))	1.0	1.3	1.6
LIFT (m)	3		
MASS (kg)	about 46.5		

APPROVED	CHECKED	REVIEWED	DRAWN	PARTICULARS	OUTLINE DRAWING	DATE	Aug. 20. 2005
M. S	K. S		R. T	MODEL	VLX25LP-GR	NOTE	
					AIR HOIST	Z96-058	
SAN-EI SEIKI SEISAKUSHO CO., LTD.					DWG. NO.	E305-123	SCALE 1/4