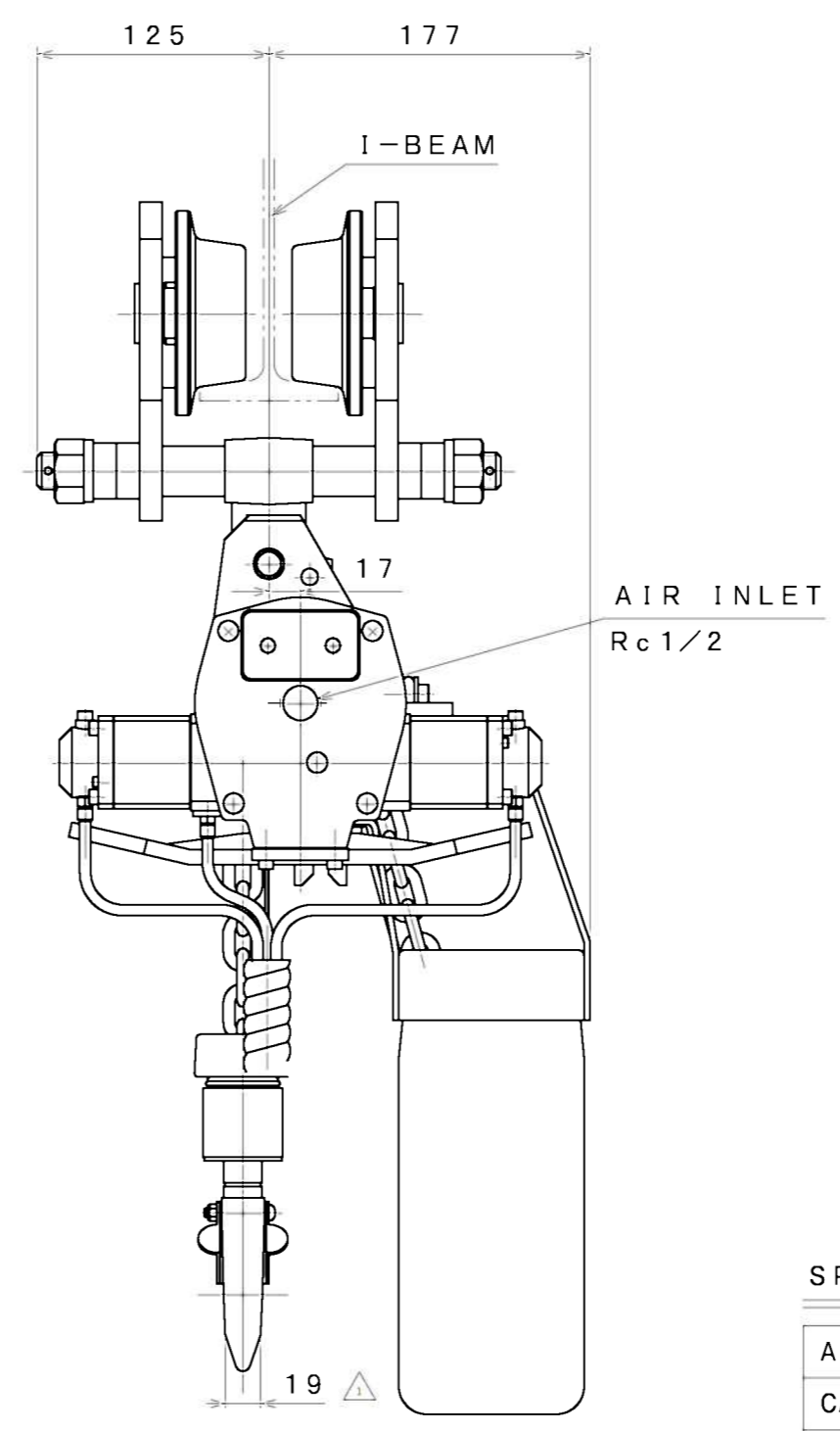
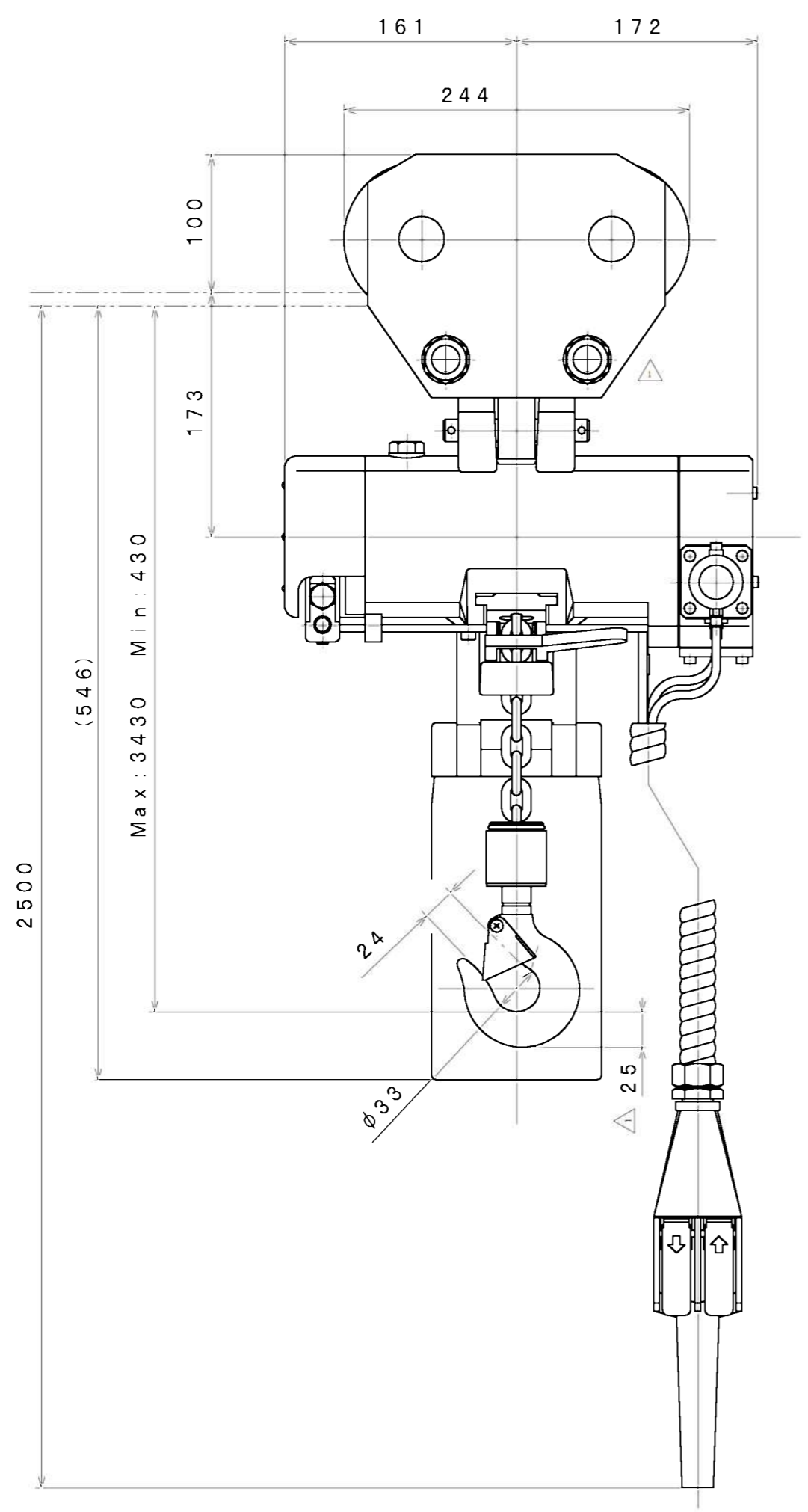


SIGN	REVISION	DATE	B Y
1	Renewal	110516	R. T
2	Renewal	150511	A. T



SPECIFICATION △

AIR PRESSURE	(MPa)	0.4	0.5	0.6
CAPACITY	(kg)	250		
LIFTING SPEED	(m/min)	13	15	17
AIR CONSUMPTION	(m ³ /min (nor))	1.0	1.3	1.6
LIFT	(m)	3		
MASS	(kg)	about 40		

APPROVED	CHECKED	REVIEWED	DRAWN	PARTICULARS	OUTLINE DRAWING	DATE	JAN. 19. 1998
M. S	K. S		R. T	MODEL	VLX25LP-PR	NOTE	
SAN-EI SEIKI SEISAKUSHO CO., LTD.				DWG. NO.	E398-023	Z96-057	SCALE
						1/4	△