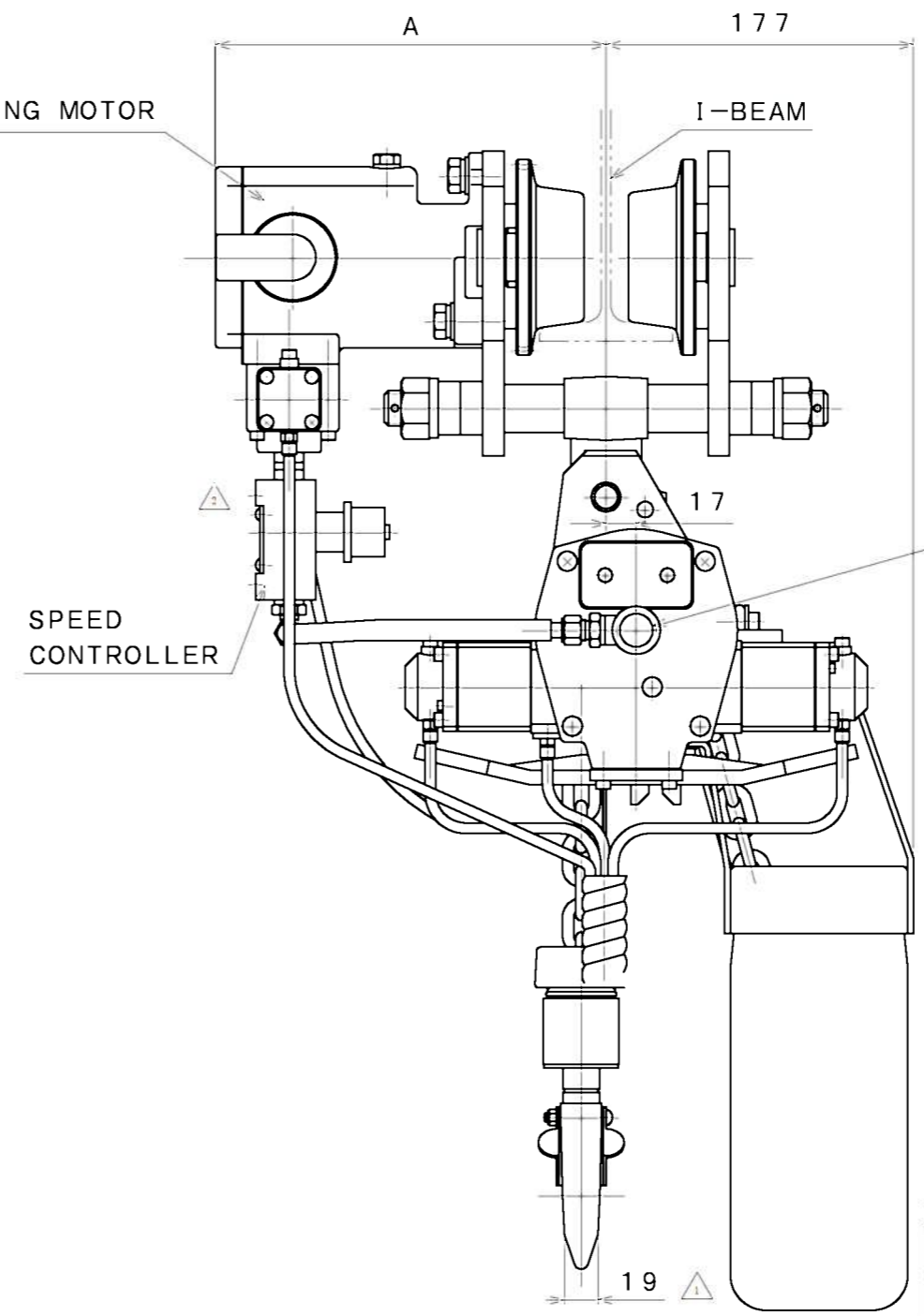
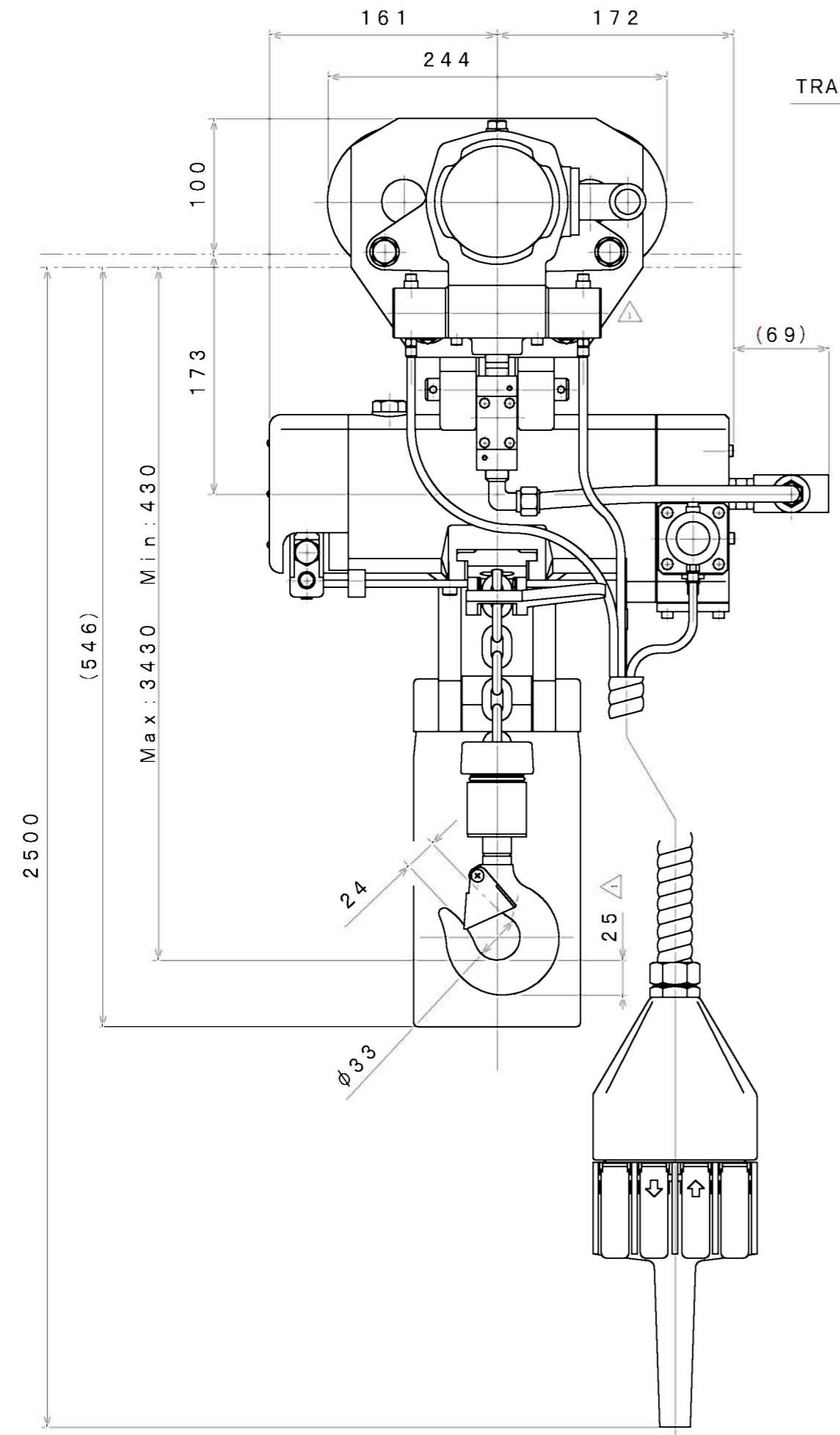


SIGN	REVISION	DATE	BY
△1	Renewal	110516	R. T
△2	Q-676	140613	R. T



I Beam	A
75	220
100	232
125	245

SPECIFICATION △

AIR PRESSURE	(MPa)	0.4	0.5	0.6
CAPACITY	(kg)	500		
LIFTING SPEED	(m/min)	7	10	12
TRAVELING SPEED	(m/min)	10~20		
AIR CONSUMPTION	(m <sup>3</sup> /min (nor))	1.0	1.3	1.6
LIFT	(m)	3		
MASS	(kg)	about 46 △		

APPROVED	CHECKED	REVIEWED	DRAWN	PARTICULARS	OUTLINE DRAWING	DATE	SEP. 09. 1996
M. S	K. S		R. T	MODEL	VLX50LP-MR	NOTE	
					AIR HOIST	Z96-063	
SAN-EI SEIKI SEISAKUSYO CO., LTD.					DWG. NO.	E396-144 △2	SCALE 1/4