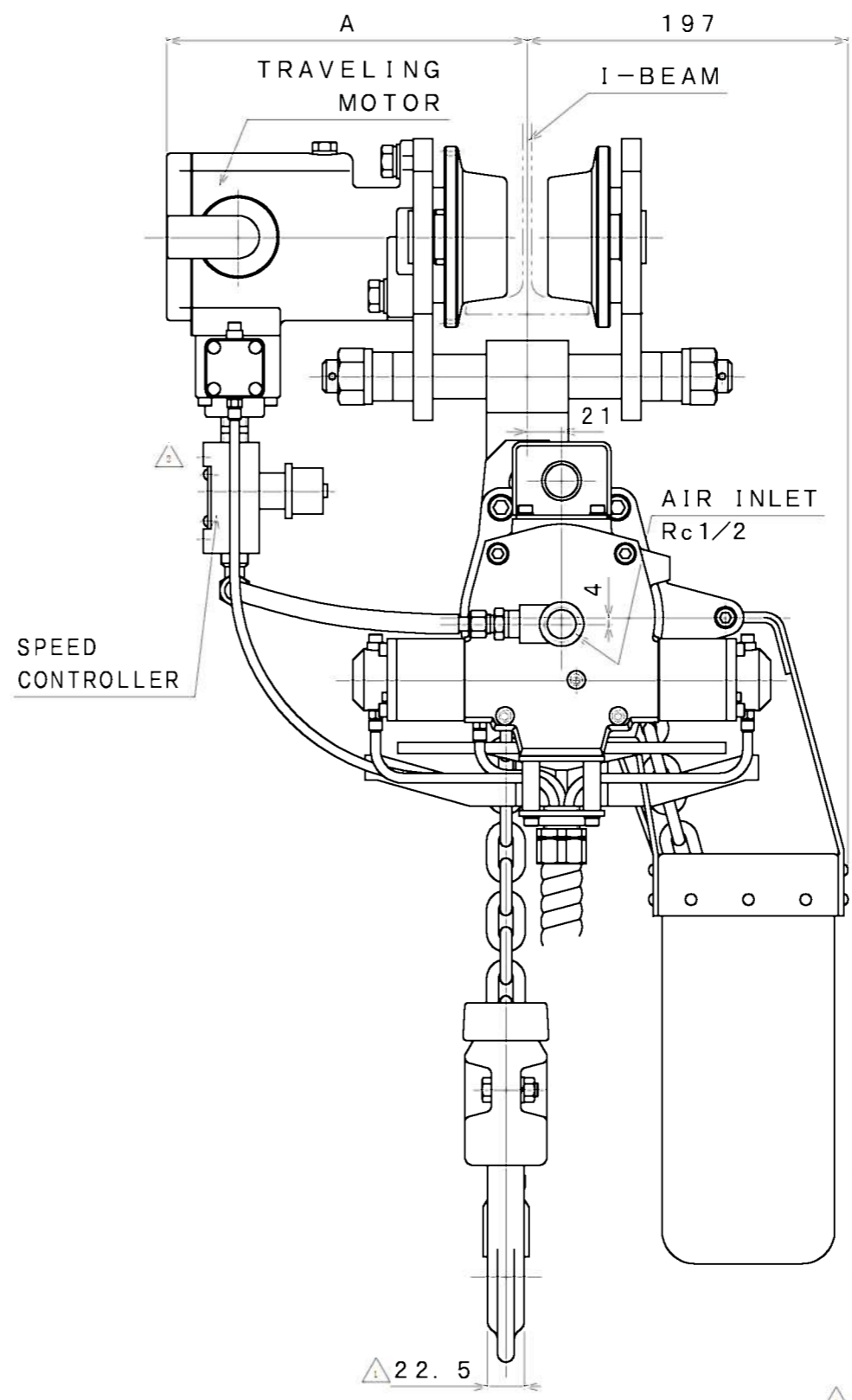
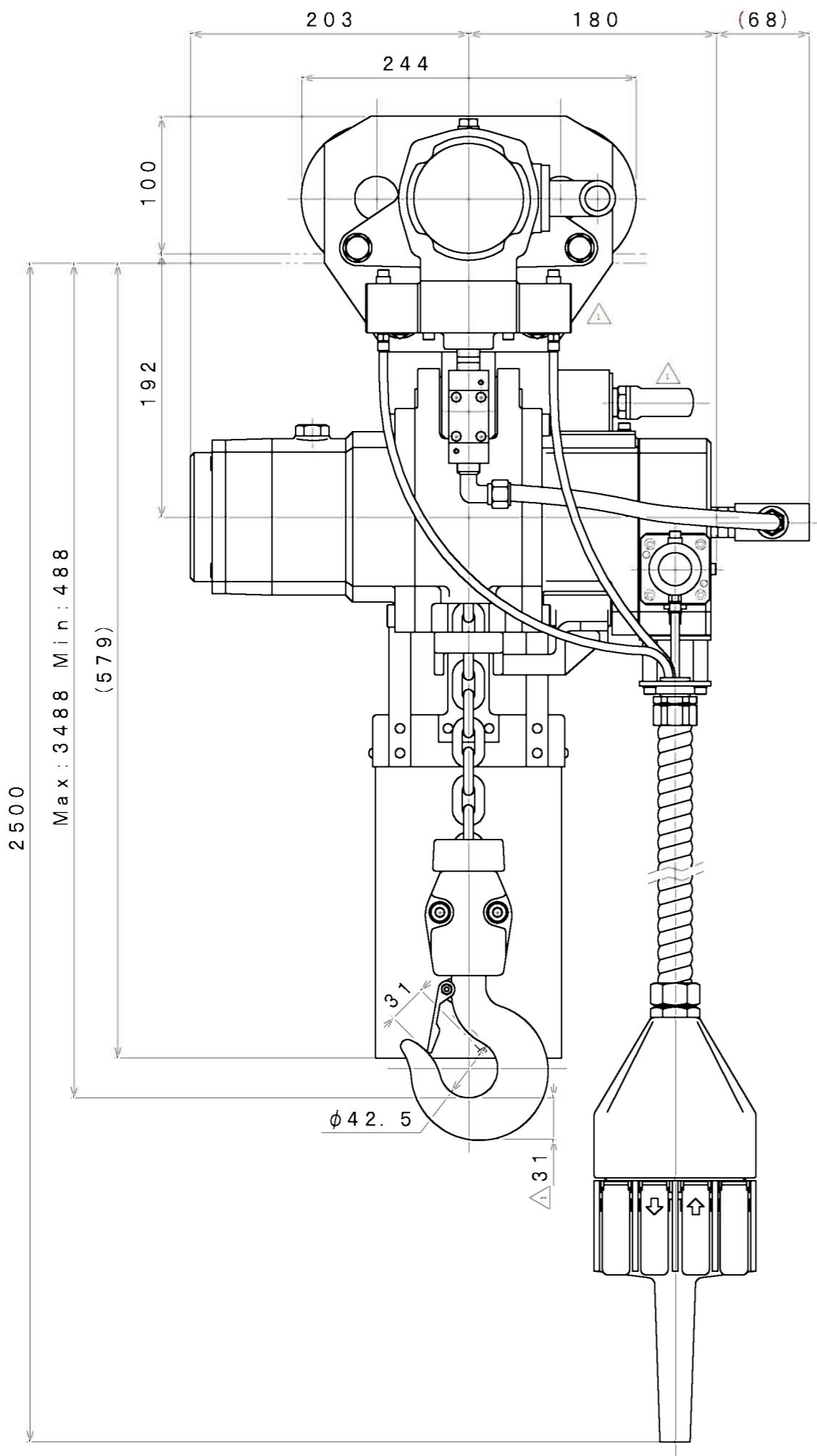


SIGN	REVISION	DATE	BY
①	Q-661, Q-626, Renewal	121009	W. S
②	Q-676	140618	R. T



I Beam wide size	A
75	220
100	232
125	245

SPECIFICATION

AIR PRESSURE (MPa)	0.4	0.5	0.6
CAPACITY (kg)	1000		
LIFTING SPEED (m/min)	3.0	4.0	5.0
TRAVELING SPEED (m/min)	10~20		
④ AIR CONSUMPTION (m ³ /min (nor))	1.0	1.3	1.6
LIFT (m)	3		
MASS (kg)	about 63 ②		

APPROVED	CHECKED	REVIEWED	DRAWN	PARTICULARS	OUTLINE	DATE	SEP. 11. 2001
M. S	K. S		R. T	MODEL	VMX100LP-MR	NOTE	
					AIR HOIST		
SAN-EI SEIKI SEISAKUSHO CO., LTD.					DWG. NO.	E301-198	SCALE 1/4