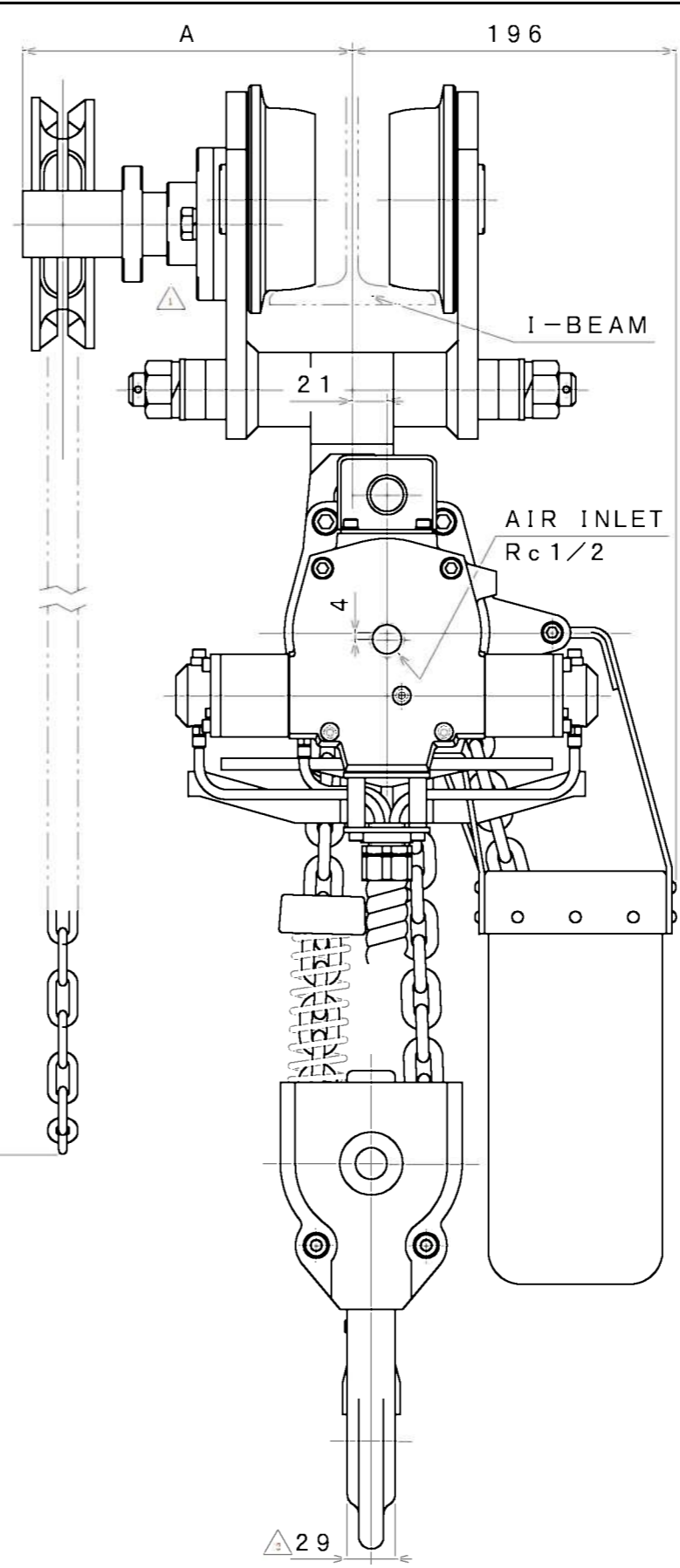
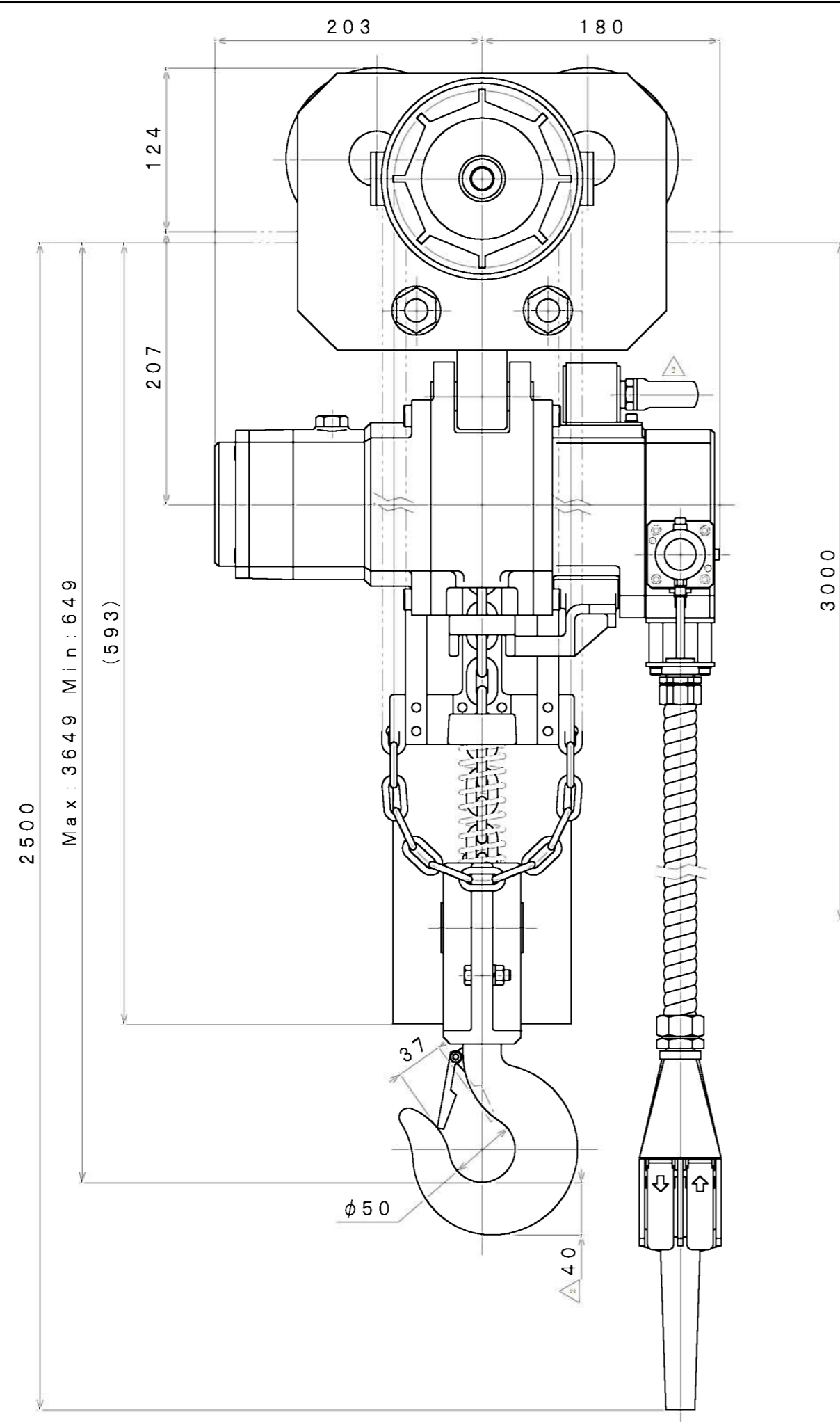


SIGN	REVISION	DATE	BY
1	renewal	040909	S. K
2	Q-661, Renewal	121009	W. S



I Beam wide size	A
100	199
125	212
150	224

SPECIFICATION

AIR PRESSURE (MPa)	0.4	0.5	0.6
CAPACITY (kg)	2000		
LIFTING SPEED (m/min)	1.5	2.0	2.5
AIR CONSUMPTION (m ³ /min (nor))	1.0	1.3	1.6
LIFT (m)	3		
MASS (kg)	about 72		

APPROVED	CHECKED	REVIEWED	DRAWN	PARTICULARS	OUTLINE	DATE	SEP. 11. 2001
M. S	K. S	R. T	W. S	MODEL	VMX200LP-GR	NOTE	
					AIR HOIST		
SAN-EI SEIKI SEISAKUSHO CO., LTD.					DWG. NO.	E301-205	SCALE 1/4