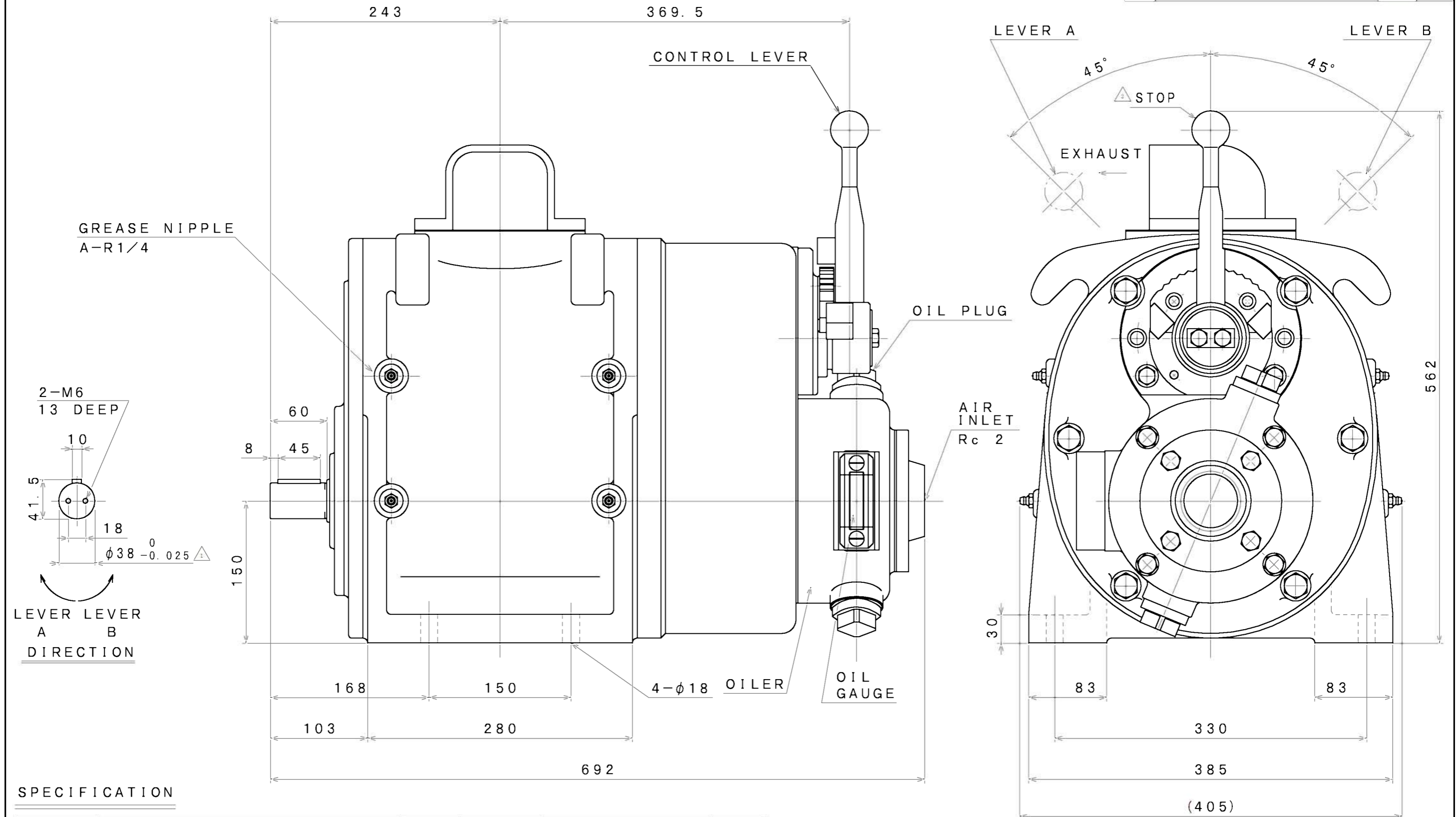


SIGN	REVISION	DATE	BY
1	Renewal	111107	R. T
2	Renewal	160411	W. S



**SPECIFICATION**

AIR PRESSURE (MPa)	AT MAXIMUM OUTPUT				OILER QUANTITY (cc)	OIL CONSUMPTION (cc/hr)	LUBRICATING OIL		MASS (kg)
	OUTPUT (kW)	SPEED (rpm)	TORQUE (N·m)	AIR CONSUMPTION (m <sup>3</sup> /min (nor))			OILER	GREASE NIPPLE	
0.6	14.1	1500	90	16.0	1500	150~200	JIS K2213-1 Turbine Oil	JIS K2220 4-2 Lithium Grease	About 265
0.5	11.8		75	13.5			ISO VG32~56		
0.4	9.4		60	10.5					

APPROVED	CHECKED	REVIEWED	DRAWN	PARTICULARS	OUTLINE DRAWING	DATE	NOV. 19. 1997
M. S	K. S		R. T	MODEL	AGM15-HBH1	NOTE	
SAN-EI SEIKI SEISAKUSHO CO., LTD.					DWG. NO.	E397-298	SCALE 1/4