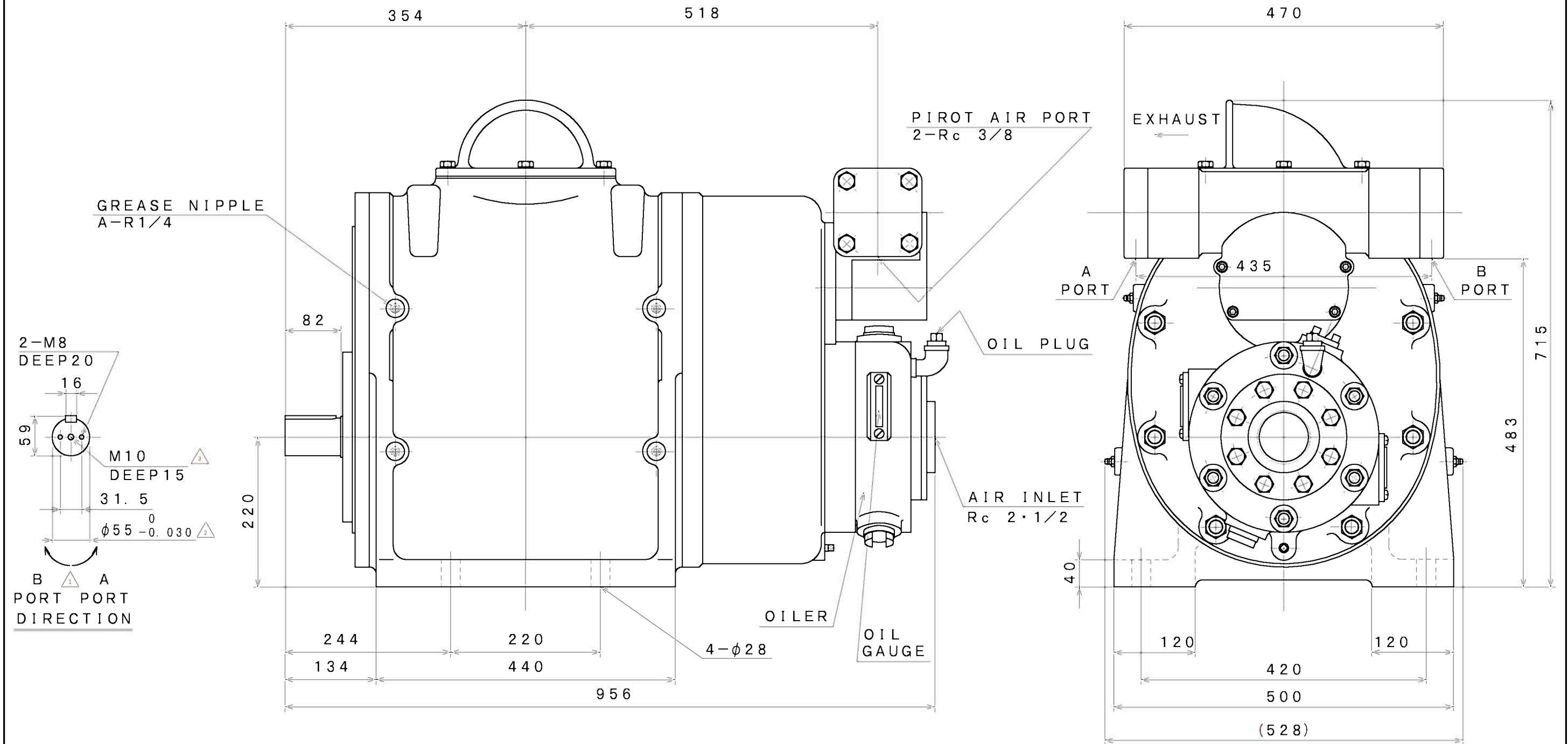


SIGN	REVISION	DATE	B Y
1	CORRECTION	100420	R. T
2	RENEWAL	111107	R. T
3	RENEWAL	140818	R. T



SPECIFICATION

AIR PRESSURE	AT MAXIMUM OUTPUT				OILER QUANTITY	OIL CONSUMPTION	LUBRICATING OIL		MASS
	OUTPUT	SPEED	TORQUE	AIR CONSUMPTION			OILER	GREASE NIPPLE	
(MPa)	(kw)	(rpm)	(N·m)	(m ³ /min (nor))	(cc)	(cc/hr)	OILER	GREASE NIPPLE	(kg)
0.6	37.7	1500	240	39	2000	230~280	JIS K2213-1	JIS K2220	About 620
0.5	31.4		200	35			Turbine Oil	4-2	
0.4	25.9		165	30			ISO VG32~56	Lithium Grease	

APPROVED	CHECKED	REVIEWED	DRAWN	PARTICULARS	OUTLINE DRAWING	DATE	NOV. 19. 1997
M. S	K. S		R. T	MODEL	AGM40-HBR1	NOTE	
SAN-EI SEIKI SEISAKUSHO CO., LTD.					AIR MOTOR	Z97-025	
DWG. NO. E397-308					SCALE	1/6	