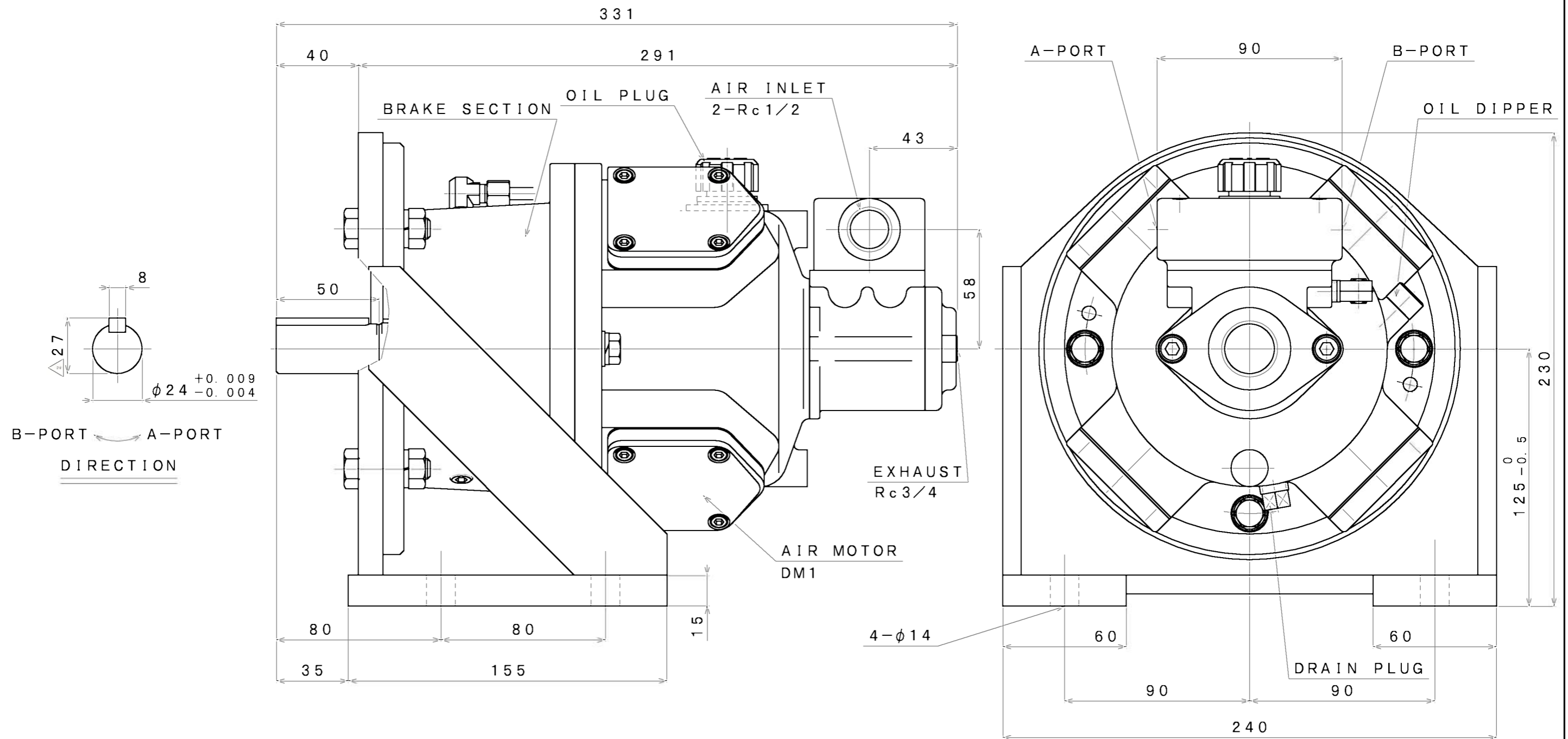


SIGN	REVISION	DATE	B Y
1	Renewal	111103	R. T
2	Correction	120405	W. S
3	Renewal	150406	W. S



SPECIFICATION

AIR PRESSURE	AT MAXIMUM OUTPUT				* ALLOWABLE SHAFT LOAD		LUBRICATING OIL	MASS
	OUTPUT	SPEED	TORQUE	AIR CONSUMPTION	RADIAL	THRUST	AIR MOTOR	
(MPa)	(kW)	(rpm)	(N·m)	(m ³ /min (nor))	(kN)	(kN)	JIS K2213-1 Turbine Oil ISO VG32 (140cc)	(kg)
0.6	0.86	1400	5.9	0.8	0.4	0.15	about 28.5	
0.5	0.64	1300	4.7	0.7				
0.4	0.49	1200	3.9	0.5				

*: At Mid of Shaft

APPROVED	CHECKED	REVIEWED	DRAWN	PARTICULARS	OUTLINE DRAWING	DATE	DEC. 25. 2009
M. M		W. S		MODEL	DM1B-HBD1	NOTE	
					AIR MOTOR	Z95-045	
SAN-EI SEIKI SEISAKUSHO CO., LTD.				DWG. NO.	E309-208	SCALE	1/2