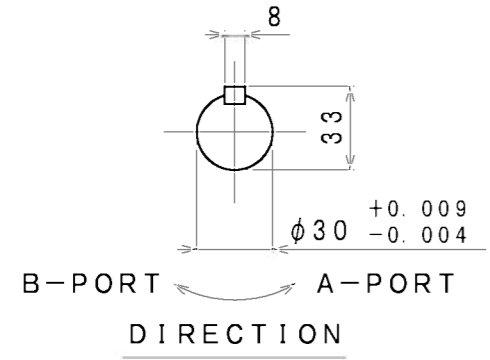
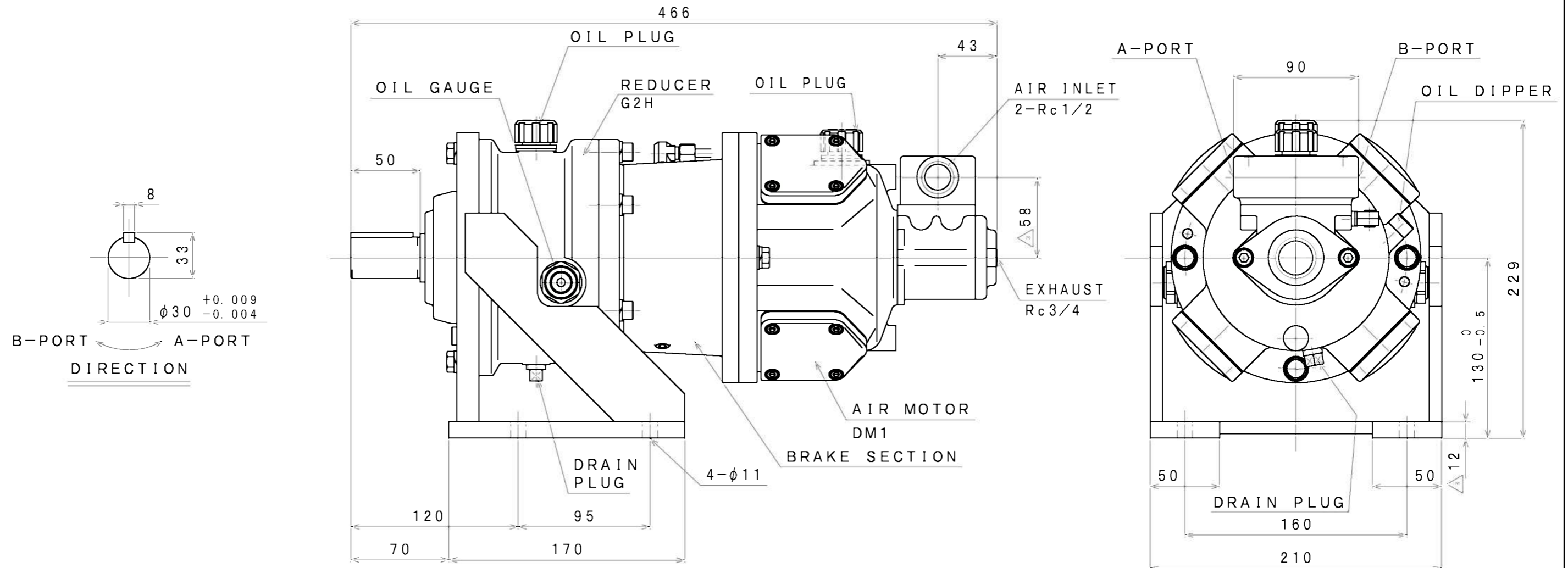


SIGN	REVISION	DATE	B Y
1	Renewal	111103	R. T
2	Correction	120323	R. T
3	Renewal	150406	W. S



SPECIFICATION

AIR PRESSURE (MPa)	AT MAXIMUM OUTPUT				* ALLOWABLE SHAFT LOAD		LUBRICATING OIL		MASS (kg)
	OUTPUT (kW)	SPEED (rpm)	TORQUE (N·m)	AIR CONSUMPTION (m ³ /min (nor))	RADIAL (kN)	THRUST (kN)	AIR MOTOR	REDUCER	
0.6	0.75	180	40.0	0.86	2.6	0.4	JIS K2213-1 Turbine Oil	JIS K2219 Gear Oil	about 35
0.5	0.56	160	33.6	0.73			ISO VG32 (140cc)	ISO VG220 (130cc)	
0.4	0.43	150	27.7	0.53					

*:At Mid of Shaft

APPROVED	CHECKED	REVIEWED	DRAWN	PARTICULARS	OUTLINE DRAWING	DATE	JAN. 08. 2010
M. M		W. S		MODEL	DM1BG2H8B	NOTE	
					AIR MOTOR	Z95-011	
SAN-EI SEIKI SEISAKUSHO CO., LTD.				DWG. NO.	E310-012	SCALE	1/3