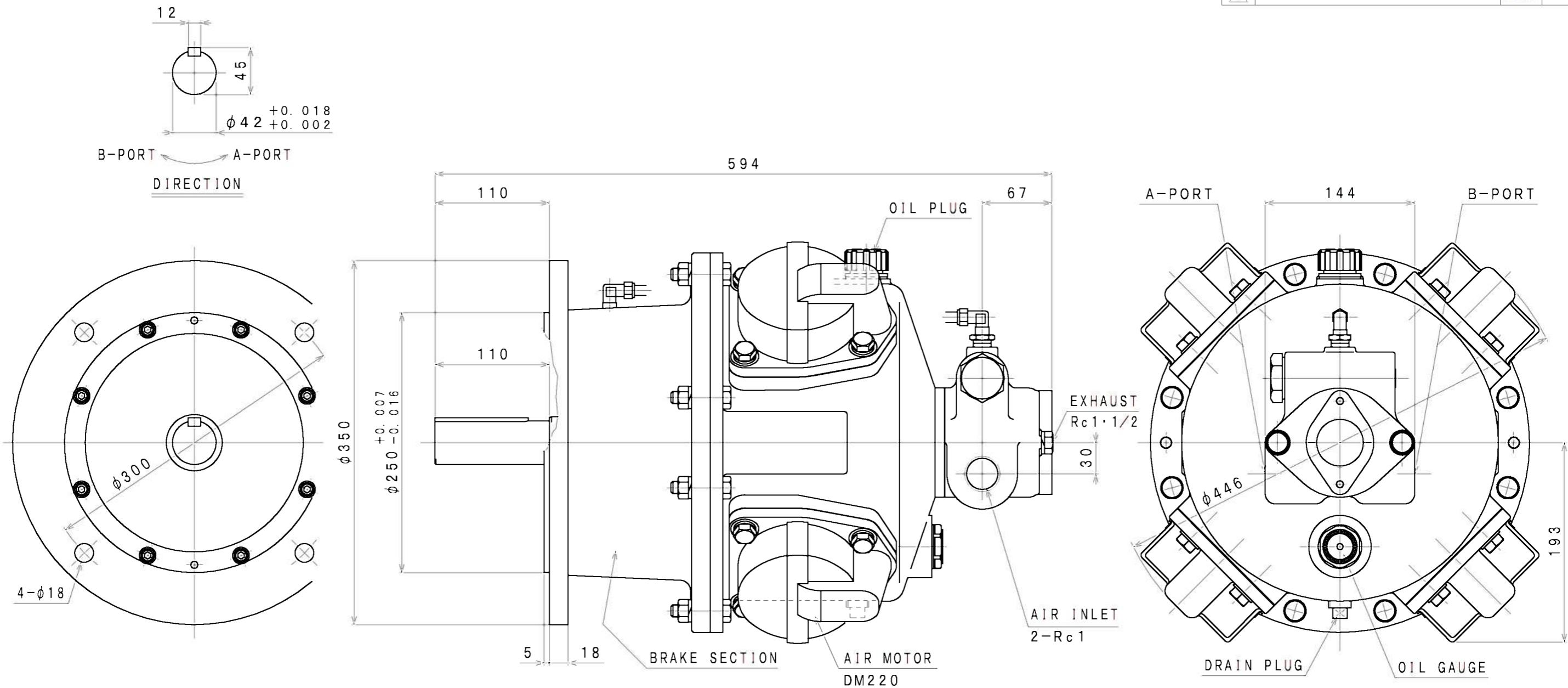


SIGN	REVISION	DATE	BY
△1	Renewal	091228	W. S
△2	Renewal	111102	R. T
△3	Renewal	160406	W. S



**SPECIFICATION**

AIR PRESSURE (MPa)	AT MAXIMUM OUTPUT				* ALLOWABLE SHAFT LOAD		LUBRICATING OIL AIR MOTOR JIS K2213-1 Turbine Oil ISO VG32 (850cc)	MASS (kg)
	OUTPUT (kW)	SPEED (rpm)	TORQUE (N·m)	AIR CONSUMPTION (m <sup>3</sup> /min (nor))	RADIAL (kN)	THRUST (kN)		
0.6	7.15	690	99.0	5.4			about 106	
0.5	6.01	645	89.0	4.8	2.4	0.5		
0.4	4.90	600	78.0	4.1				

\*: At Mid of Shaft

APPROVED	CHECKED	REVIEWED	DRAWN	PARTICULARS	OUTLINE DRAWING	DATE	May. 17. 2004
M. M		W. S		MODEL	DM220B-HFD1	NOTE	
					AIR MOTOR	Z96-053	
SAN-EI SEIKI SEISAKUSHO CO., LTD.				DWG. NO.	E304-063	SCALE	1/4