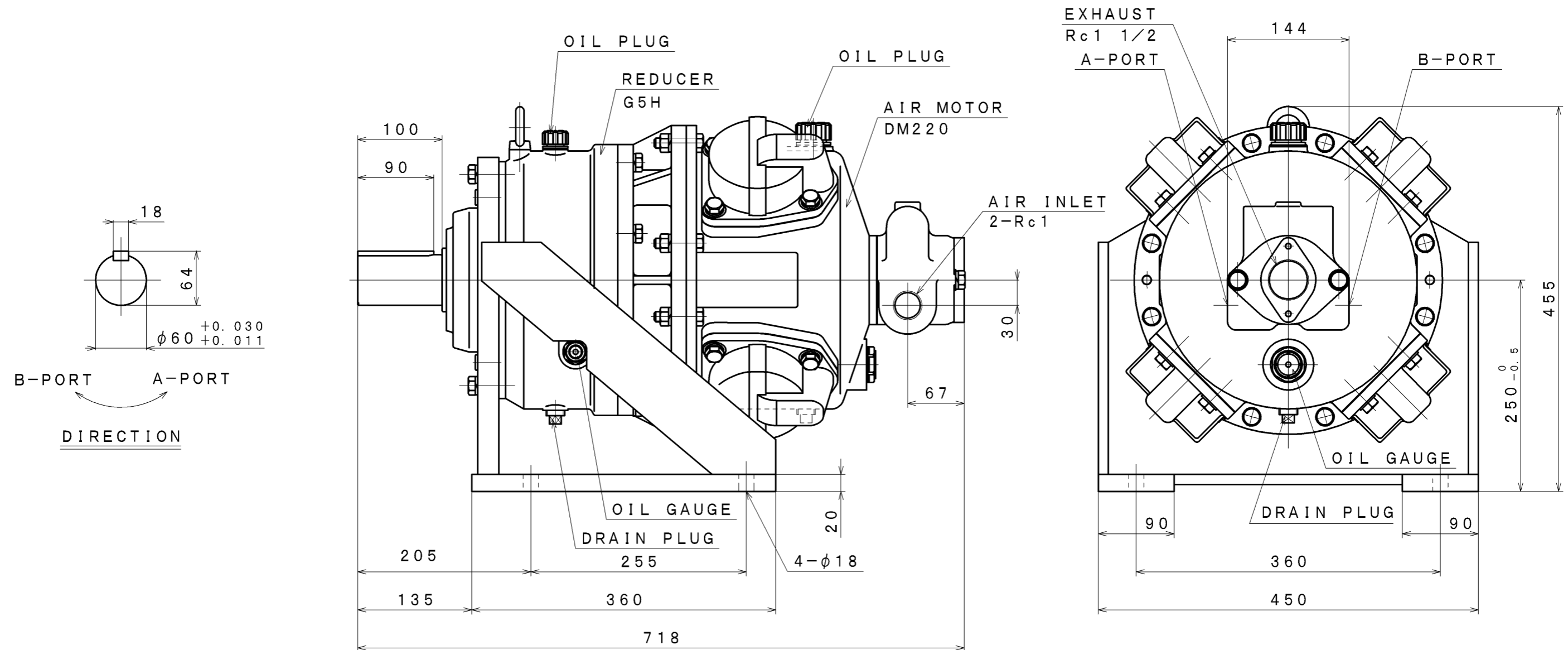


SIGN	REVISION	DATE	B Y
△1	Renewal	111101	R. T
△2	Renewal	160406	W. S



SPECIFICATION

AIR PRESSURE	AT MAXIMUM OUTPUT				※ ALLOWABLE SHAFT LOAD		LUBRICATING OIL		MASS
	OUTPUT	SPEED	TORQUE	AIR CONSUMPTION △	RADIAL	THRUST	AIR MOTOR	REDUCER	
(MPa)	(kW)	(rpm)	(N·m)	(m ³ /min (nor))	(kN)	(kN)	△ JIS K2213-1 Turbine Oil	JIS K2219 Gear Oil	(kg)
0.6	6.74	200	322	5.4	6.2	1.4	ISO VG32 (850cc)	ISO VG220 (600cc)	about 204
0.5	5.62	180	298	4.8					
0.4	4.65	170	261	4.1					

※:At Mid of Shaft

APPROVED	CHECKED	REVIEWED	DRAWN	PARTICULARS	OUTLINE DRAWING	DATE	JAN. 22. 2010
M. M		W. S		MODEL	DM220G5H4B	NOTE	
					AIR MOTOR	Z00-014	
SAN-EI SEIKI SEISAKUSHO CO., LTD.					DWG. NO.	E310-060	SCALE 1/5