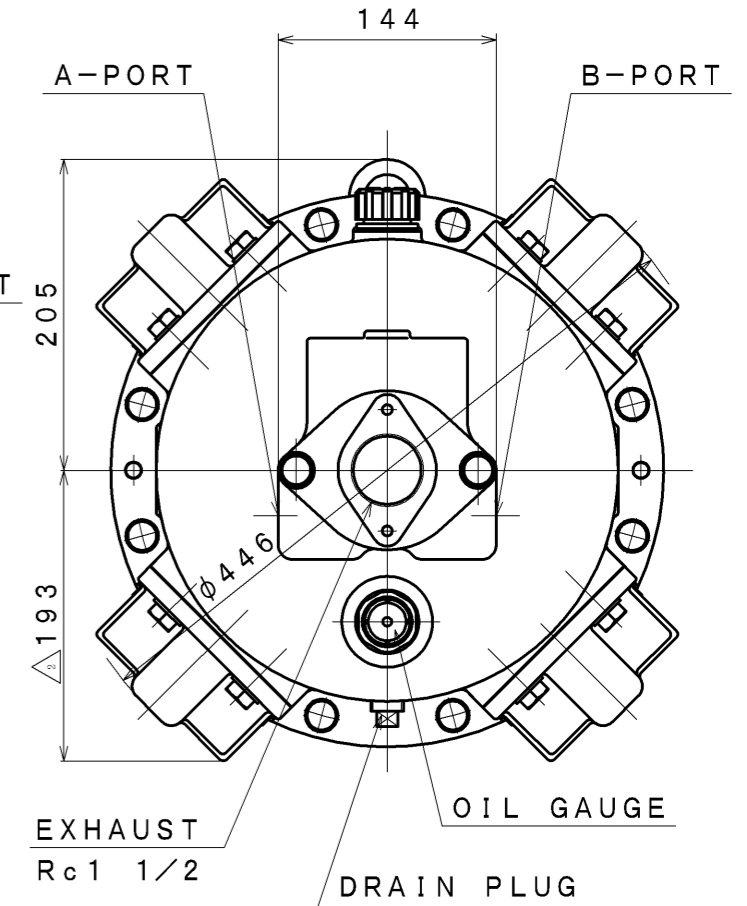
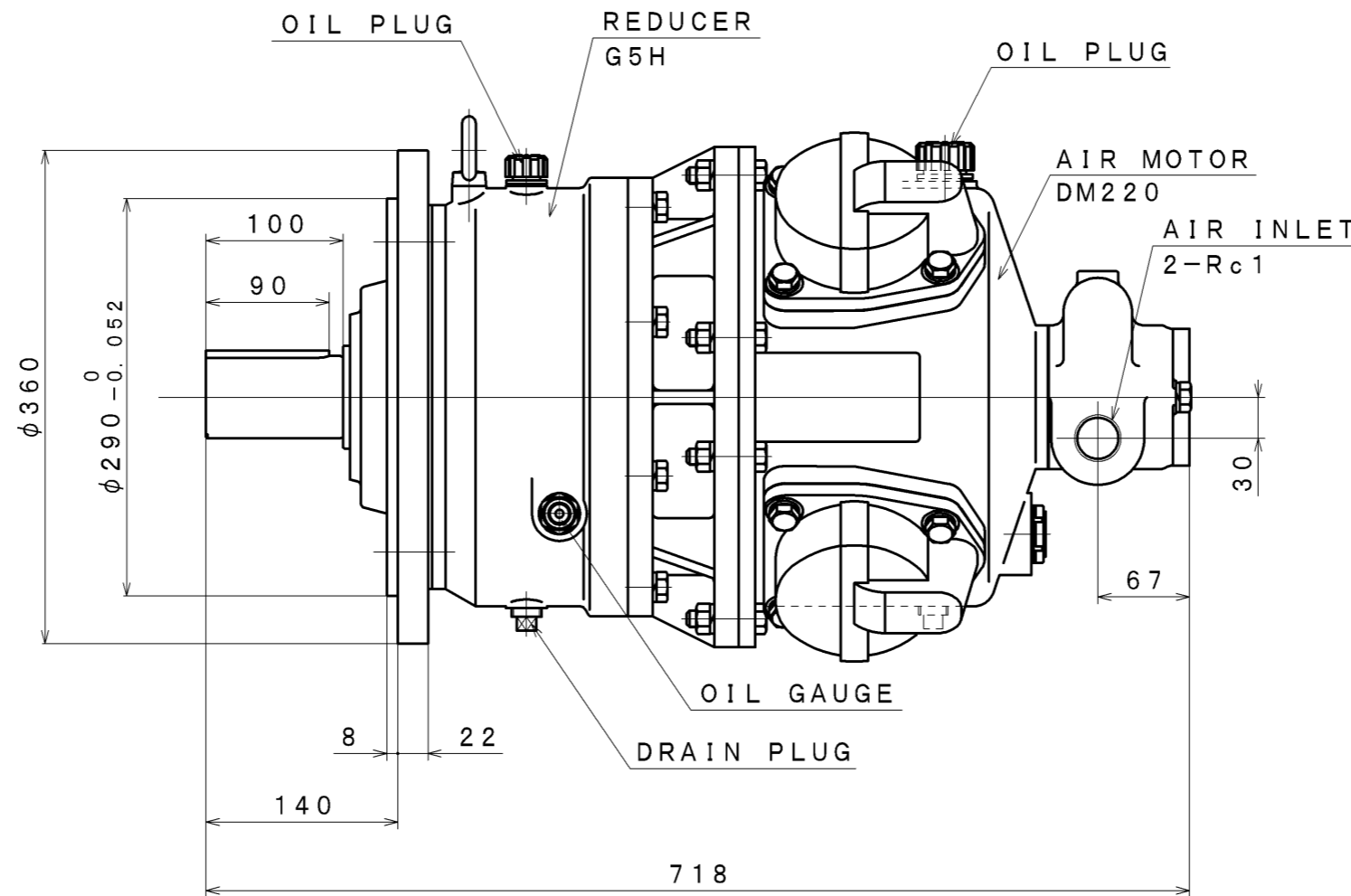
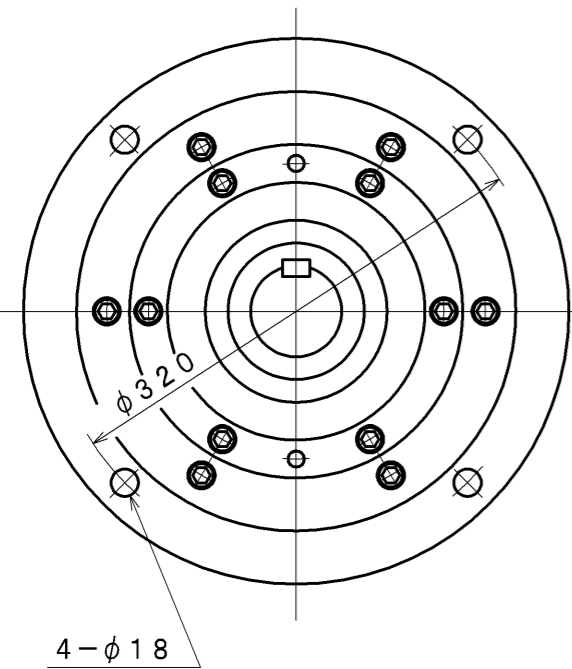
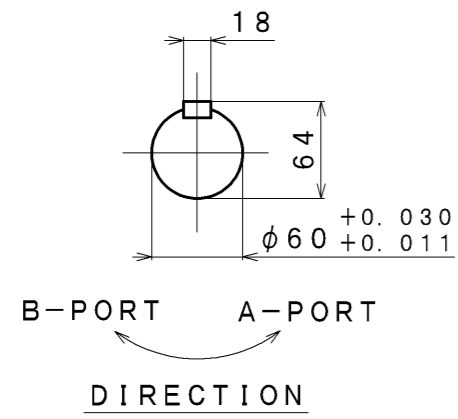


| SIGN | REVISION | DATE   | BY   |
|------|----------|--------|------|
| △1   | Renewal  | 111101 | R. T |
| △2   | Renewal  | 160406 | W. S |



**SPECIFICATION**

| AIR PRESSURE<br>(MPa) | AT MAXIMUM OUTPUT |                |                 |  | ※ ALLOWABLE SHAFT LOAD |                | LUBRICATING OIL                 |                       | MASS<br>(kg) |
|-----------------------|-------------------|----------------|-----------------|--|------------------------|----------------|---------------------------------|-----------------------|--------------|
|                       | OUTPUT<br>(kW)    | SPEED<br>(rpm) | TORQUE<br>(N·m) | AIR CONSUMPTION<br>(m <sup>3</sup> /min (nor)) | RADIAL<br>(kN)         | THRUST<br>(kN) | AIR MOTOR                       | REDUCER               |              |
| 0.6                   | 6.74              | 200            | 322             | 5.4  | 6.2                    | 1.4            | △<br>JIS K2213-1<br>Turbine Oil | JIS K2219<br>Gear Oil | about<br>181 |
| 0.5                   | 5.62              | 180            | 298             | 4.8  |                        |                | ISO VG32<br>(850cc)             | ISO VG220<br>(600cc)  |              |
| 0.4                   | 4.65              | 170            | 261             | 4.1  |                        |                |                                 |                       |              |

※: At Mid of Shaft

|                                   |         |          |       |             |                 |         |               |
|-----------------------------------|---------|----------|-------|-------------|-----------------|---------|---------------|
| APPROVED                          | CHECKED | REVIEWED | DRAWN | PARTICULARS | OUTLINE DRAWING | DATE    | JAN. 20. 2010 |
| M. M                              |         | W. S     |       | MODEL       | DM220G5H4F      | NOTE    |               |
|                                   |         |          |       |             | AIR MOTOR       | Z00-014 |               |
| SAN-EI SEIKI SEISAKUSHO CO., LTD. |         |          |       | DWG. NO.    | E310-058        | SCALE   | 1/5           |