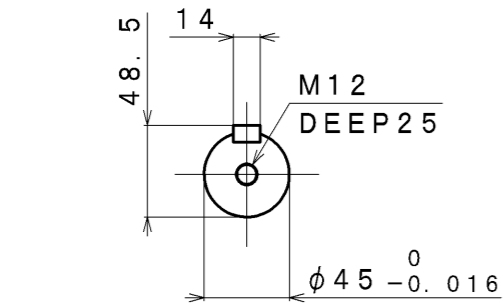
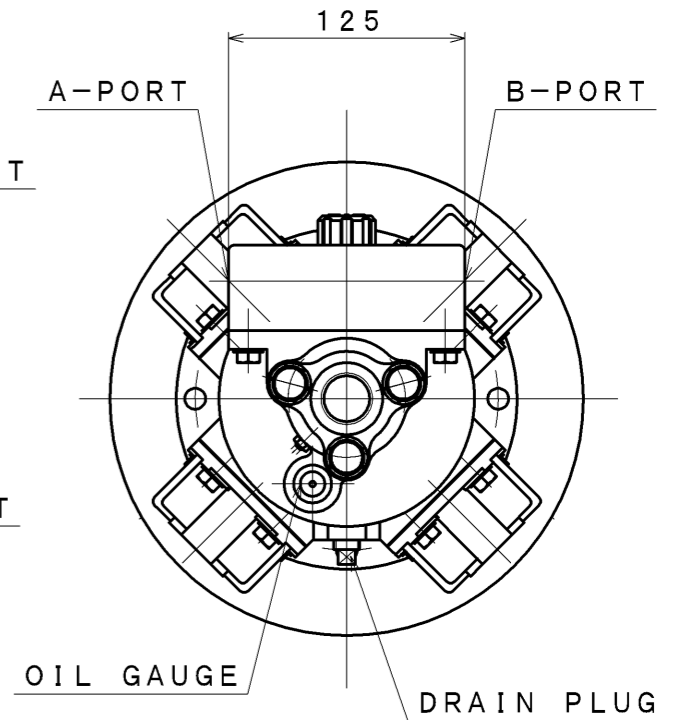
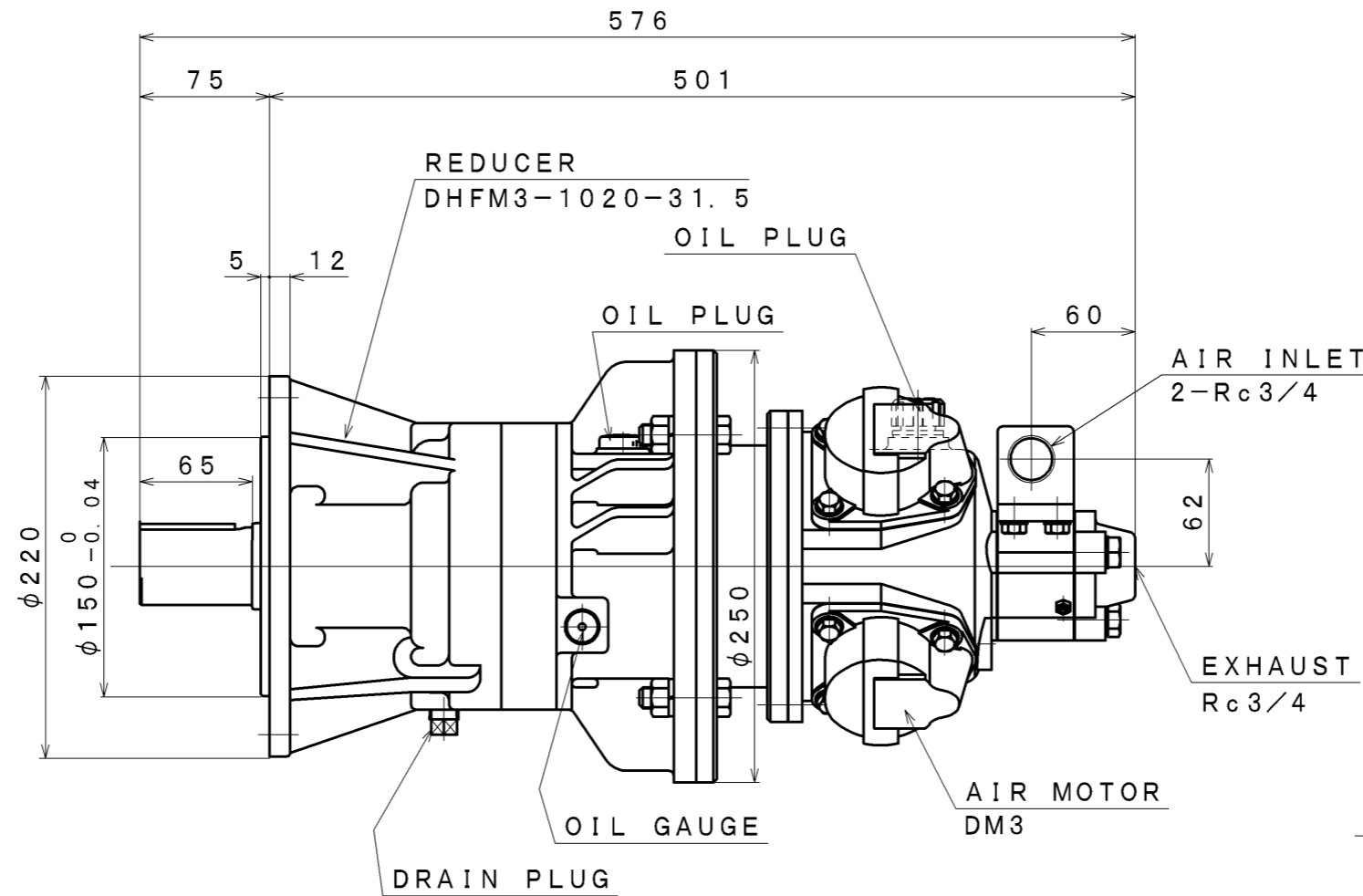
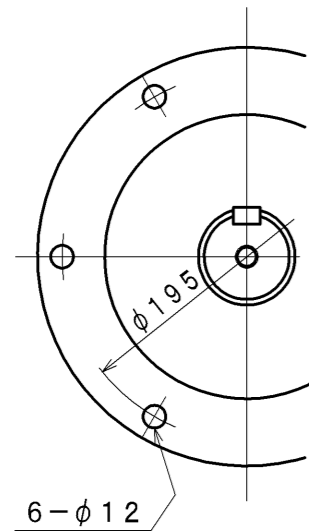


SIGN	REVISION	DATE	B Y
△1	Renewal	111101	R. T
△2	Renewal	160406	W. S



A-PORT B-PORT
DIRECTION



SPECIFICATION

AIR PRESSURE	AT MAXIMUM OUTPUT				* ALLOWABLE SHAFT LOAD		LUBRICATING OIL		MASS
	OUTPUT	SPEED	TORQUE	AIR CONSUMPTION	RADIAL	THRUST	AIR MOTOR	REDUCER	
(MPa)	(kW)	(rpm)	(N·m)	(m ³ /min (nor))	(kN)	(kN)	△ JIS K2213-1 Turbine Oil	JIS K2219 Gear Oil	(kg)
0.6	1.65	46	343	2.0	6.4	-	ISO VG32 (110cc)	ISO VG220 (400cc)	about 50
0.5	1.36	41	317	1.7					
0.4	1.07	36	285	1.4					

*:At Mid of Shaft

APPROVED	CHECKED	REVIEWED	DRAWN	PARTICULARS	OUTLINE	DATE	OCT. 06. 2010
M. M	M. S	K. S	R. T	MODEL	DM3-F-1020-31.5	NOTE	
					AIR MOTOR		
SAN-EI SEIKI SEISAKUSHO CO., LTD.					DWG. NO.	E310-525	SCALE 1/4