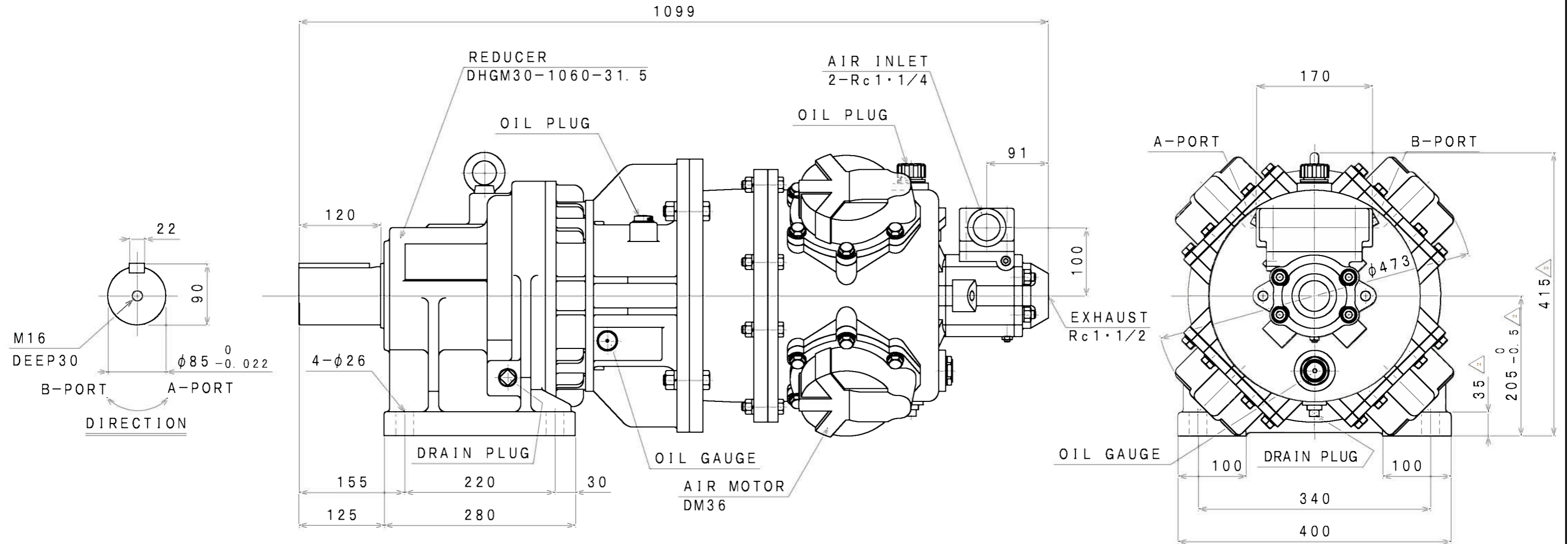


SIGN	REVISION	DATE	B Y
△1	Renewal	111101	R. T
△2	Renewal	120207	R. T
△3	Renewal	160406	W. S



SPECIFICATION

AIR PRESSURE (MPa)	AT MAXIMUM OUTPUT				* ALLOWABLE SHAFT LOAD		LUBRICATING OIL		MASS (kg)
	OUTPUT (kW)	SPEED (rpm)	TORQUE (N·m)	AIR CONSUMPTION (m ³ /min (nor))	RADIAL (kN)	THRUST (kN)	AIR MOTOR	REDUCER	
0.6	11.64	23	4832	9.0	24.4	-	△ JIS K2213-1 Turbine Oil	JIS K2219 Gear Oil	about 280
0.5	9.47	21	4308	7.5			ISO VG32	ISO VG220	
0.4	7.24	19	3638	6.5			(1300cc)	(2200cc)	

*:At Mid of Shaft

APPROVED	CHECKED	REVIEWED	DRAWN	PARTICULARS	OUTLINE	DATE	OCT. 08. 2010
M. M	M. S	K. S	R. T	MODEL	DM36-G-1060-31.5	NOTE	
					AIR MOTOR		
SAN-EI SEIKI SEISAKUSHO CO., LTD.					DWG. NO.	E310-561	SCALE 1/6