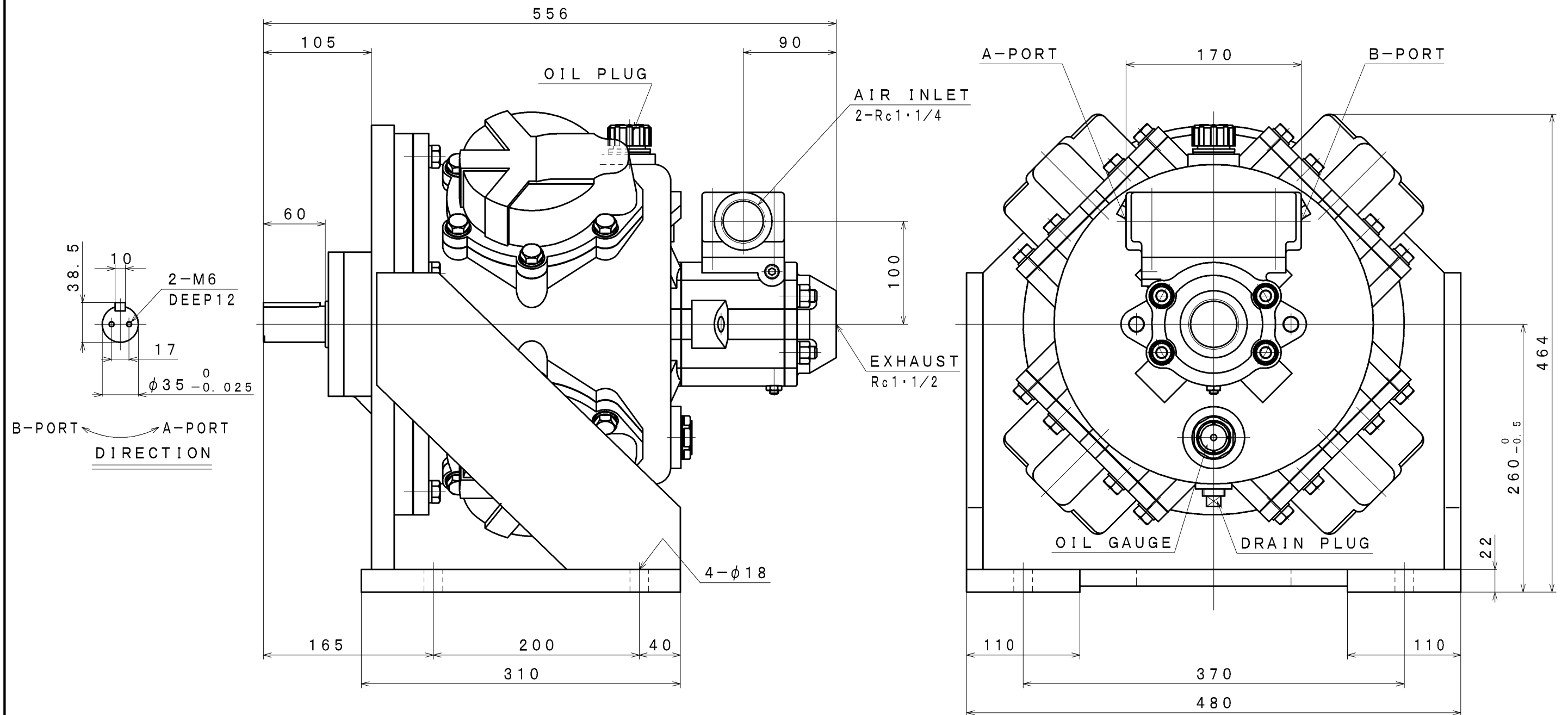


SIGN	REVISION	DATE	B Y
△1	Renewal	111121	R. T
△2	Renewal, Correction	160406	W. S



SPECIFICATION

AIR PRESSURE (MPa)	AT MAXIMUM OUTPUT				※ ALLOWABLE SHAFT LOAD		LUBRICATING OIL AIR MOTOR	MASS (kg)
	OUTPUT (kW)	SPEED (rpm)	TORQUE (N·m)	AIR CONSUMPTION (m ³ /min (nor))	RADIAL (kN)	THRUST (kN)		
0.6	12.0	690	166	9.0	4	0.8	JIS K2213-1 Turbine Oil ISO VG32 (1300cc)	about 161
0.5	9.8	630	148	7.5				
0.4	7.5	575	125	6.5				

※: At Mid of Shaft

APPROVED	CHECKED	REVIEWED	DRAWN	PARTICULARS	OUTLINE DRAWING	DATE	DEC. 18. 2009
M. M		W. S		MODEL	DM36-HBD1	NOTE	
					AIR MOTOR	Z86-110	△2
SAN-EI SEIKI SEISAKUSHO CO., LTD.					DWG. NO.	E309-202	SCALE 1/4