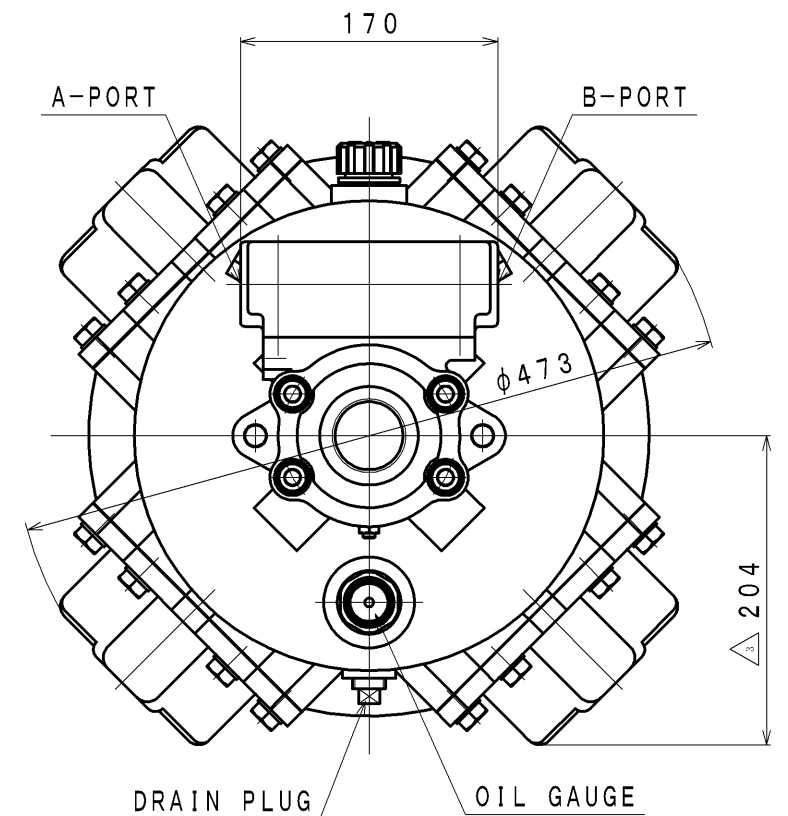
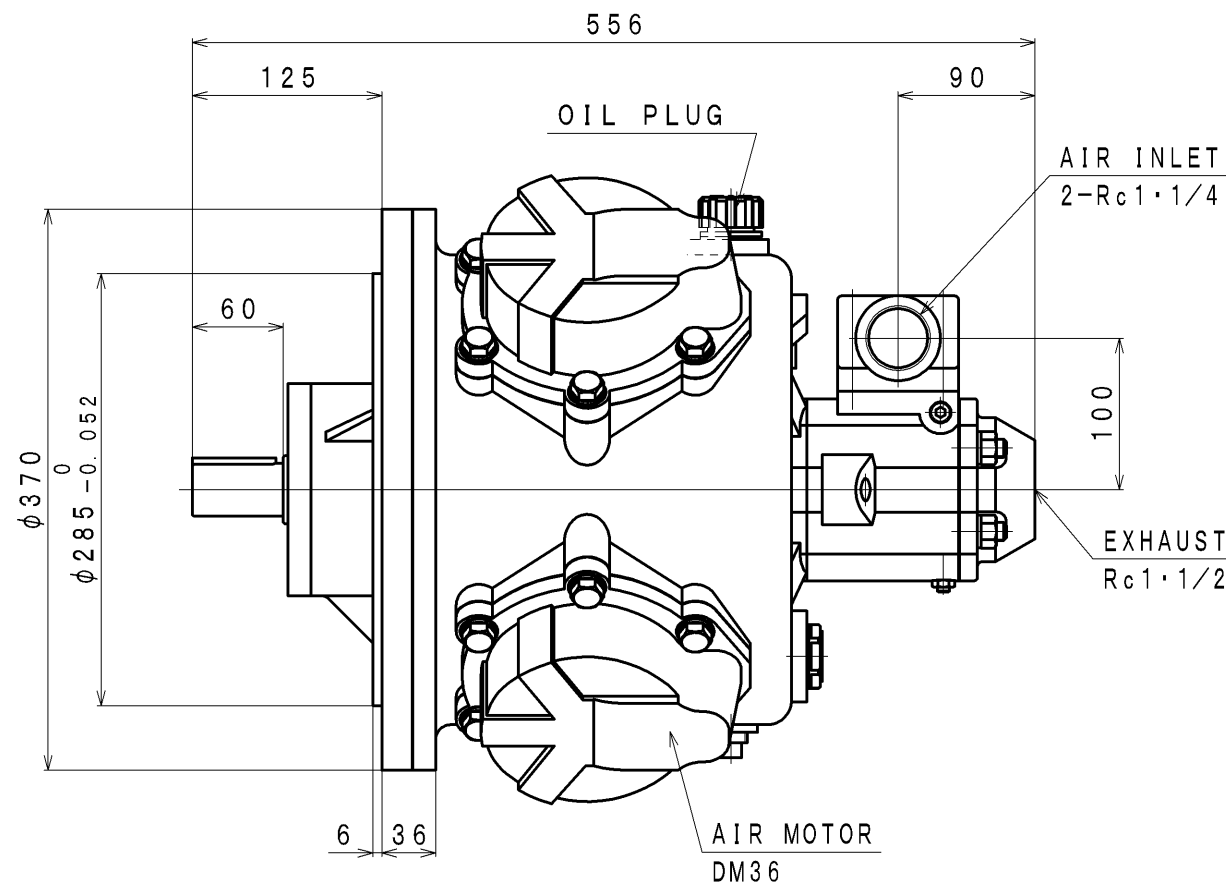
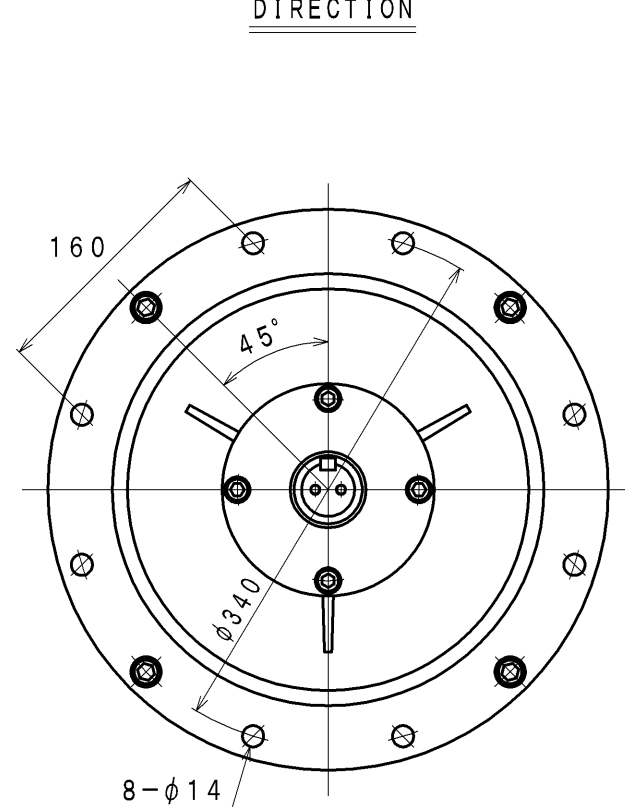
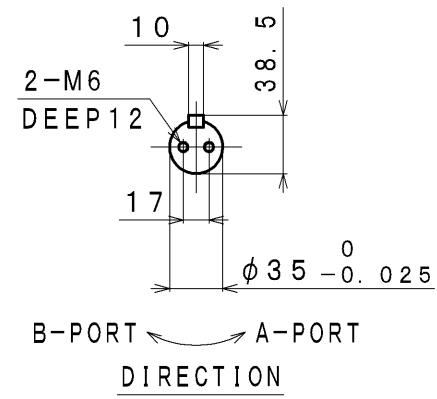


SIGN	REVISION	DATE	B Y
△1	Renewal	091218	W. S
△2	Renewal	111101	R. T
△3	Renewal, Correction	160406	W. S



SPECIFICATION

AIR PRESSURE	AT MAXIMUM OUTPUT				* ALLOWABLE SHAFT LOAD		LUBRICATING OIL	MASS
	OUTPUT	SPEED	TORQUE	AIR CONSUMPTION	RADIAL	THRUST		
(MPa)	(kW)	(rpm)	(N·m)	(m ³ /min (nor))	(kN)	(kN)	AIR MOTOR	(kg)
0.6	12.0	690	166	9.0	4.0	0.8	JIS K2213-1 Turbine Oil ISO VG32 (1300cc)	about 110
0.5	9.8	630	148	7.5				
0.4	7.5	575	125	6.5				

*:At Mid of Shaft

APPROVED	CHECKED	REVIEWED	DRAWN	PARTICULARS	OUTLINE DRAWING	DATE	May. 17. 2004
M. M		W. S		MODEL	DM36-HFD1	NOTE	
					AIR MOTOR	Z06-016	
SAN-EI SEIKI SEISAKUSHO CO., LTD.				DWG. NO.	E304-064	SCALE	1/5