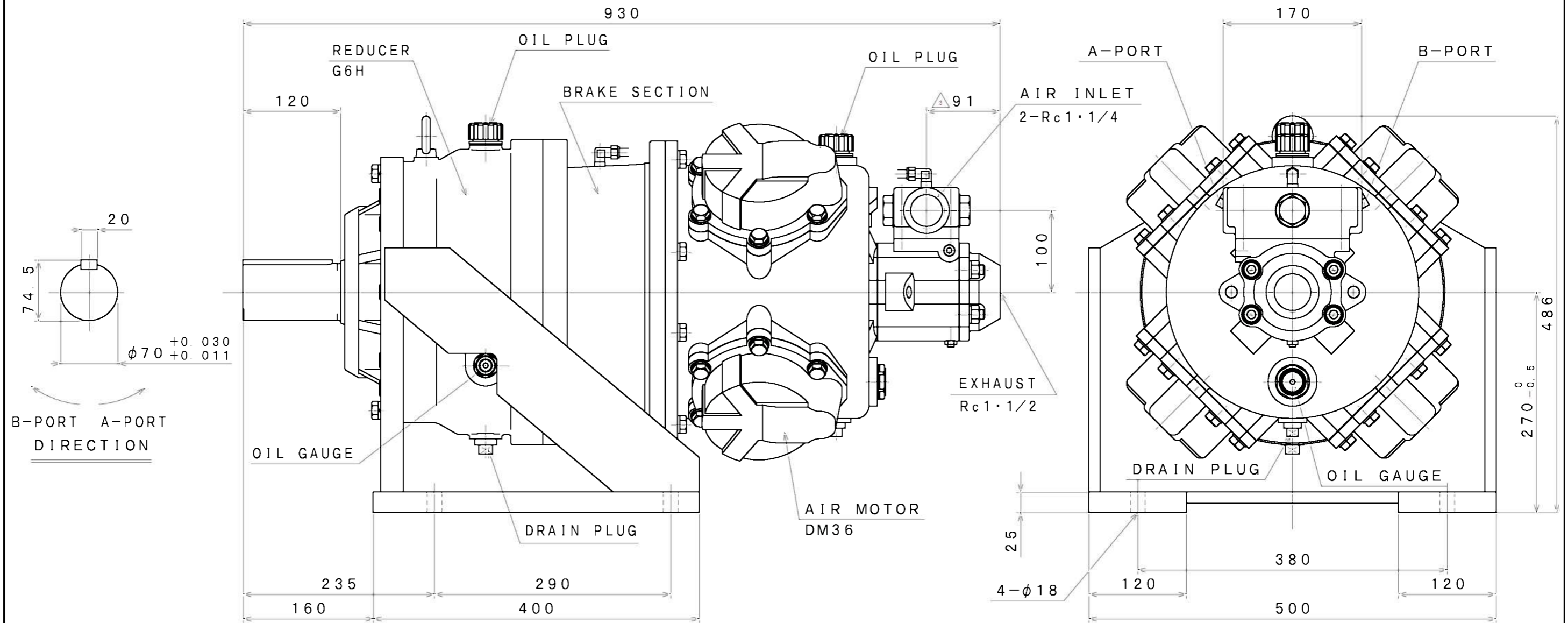


SIGN	REVISION	DATE	B Y
1	Renewal	111103	R. T
2	Correction	120327	R. T
3	Renewal	160406	W. S



**SPECIFICATION**

AIR PRESSURE	AT MAXIMUM OUTPUT				* ALLOWABLE SHAFT LOAD		LUBRICATING OIL		MASS
	OUTPUT	SPEED	TORQUE	AIR CONSUMPTION	RADIAL	THRUST	AIR MOTOR	REDUCER	
(MPa)	(kW)	(rpm)	(N·m)	(m <sup>3</sup> /min (nor))	(kN)	(kN)	JIS K2213-1 Turbine Oil	JIS K2219 Gear Oil	(kg)
0.6	11.2	125	859	9.0	14.8	3.0	ISO VG32 (1300cc)	ISO VG220 (1200cc)	about 357
0.5	9.0	110	781	7.5					
0.4	6.7	100	645	6.5					

\*: At Mid of Shaft

APPROVED	CHECKED	REVIEWED	DRAWN	PARTICULARS	OUTLINE DRAWING	DATE	JAN. 12. 2010
M. M		W. S		MODEL	DM36BG6H6B	NOTE	
SAN-EI SEIKI SEISAKUSHO CO., LTD.					DWG. NO.	E310-042	SCALE
							1/5