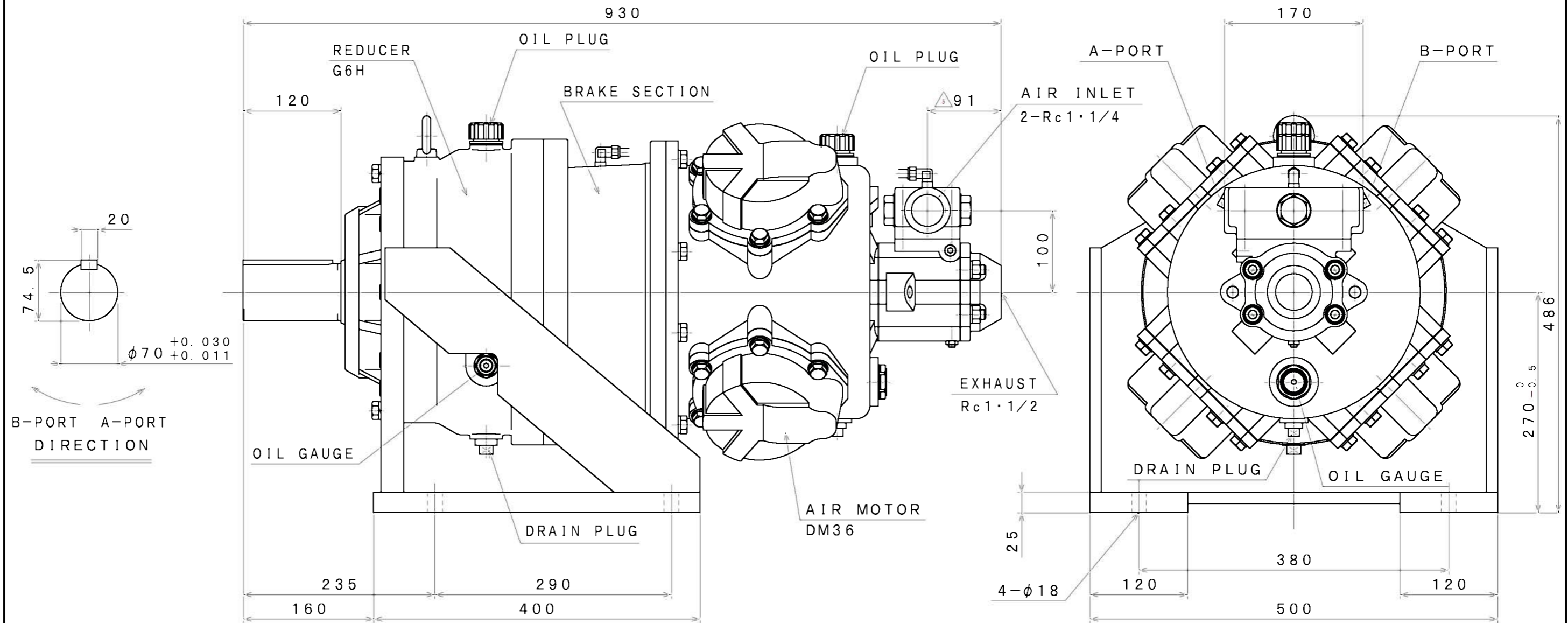


SIGN	REVISION	DATE	BY
△1	Correction	040928	M. S
△2	Renewal	100112	W. S
△3	Renewal	111103	R. T
△4	Correction	120228	R. T
△5	Renewal	160406	W. S



SPECIFICATION

AIR PRESSURE	AT MAXIMUM OUTPUT				* ALLOWABLE SHAFT LOAD		LUBRICATING OIL		MASS
	OUTPUT	SPEED	TORQUE	AIR CONSUMPTION	RADIAL	THRUST	AIR MOTOR	REDUCER	
(MPa)	(kW)	(rpm)	(N·m)	(m ³ /min (nor))	(kN)	(kN)	JIS K2213-1 Turbine Oil	JIS K2219 Gear Oil	(kg)
0.6	11.2	90	1190	9.0	16.5	3.0	ISO VG32 (1300cc)	ISO VG220 (1200cc)	about 357
0.5	9.0	80	1070	7.5					
0.4	6.7	74	871	6.5					

APPROVED	CHECKED	REVIEWED	DRAWN	PARTICULARS	OUTLINE DRAWING	DATE	JUN. 11. 2004
M. M		W, S		MODEL	DM36BG6H8B	NOTE	
					AIR MOTOR	Z97-113	
SAN-EI SEIKI SEISAKUSHO CO., LTD.					DWG. NO.	E304-079	SCALE 1/5