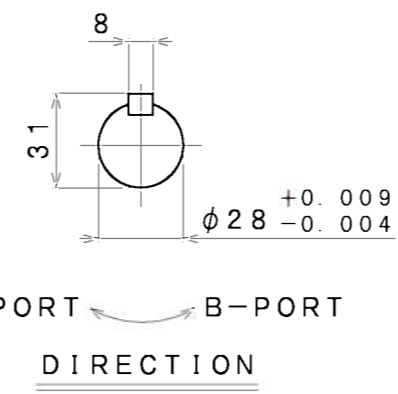
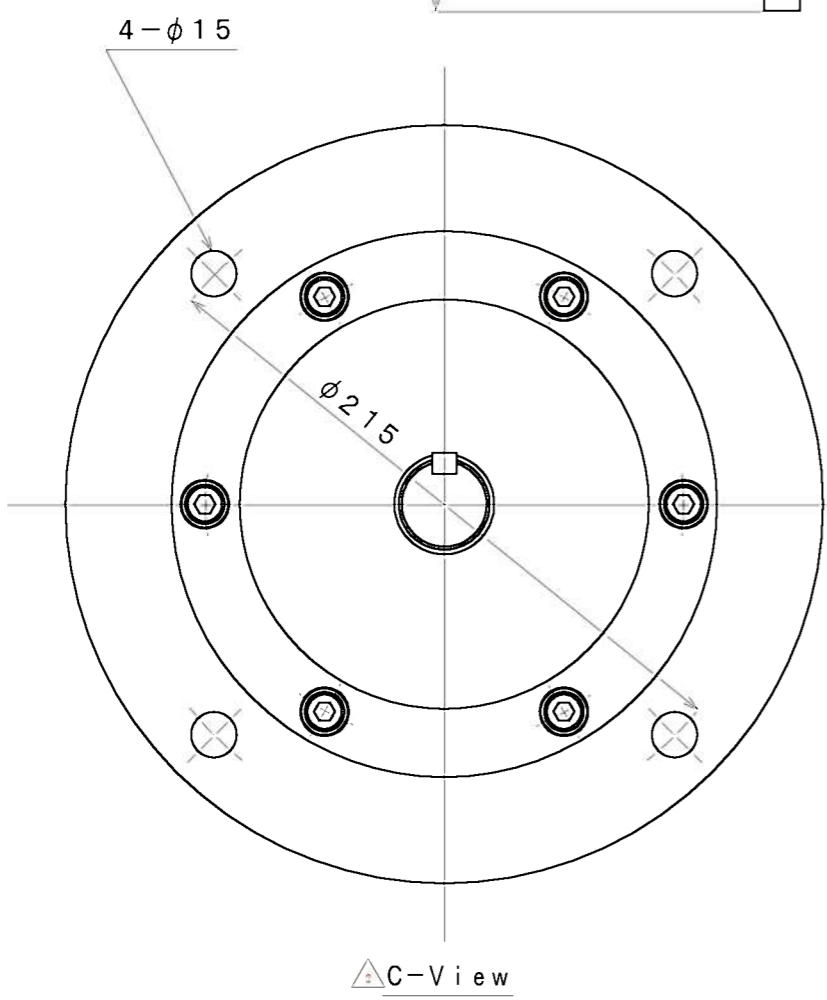
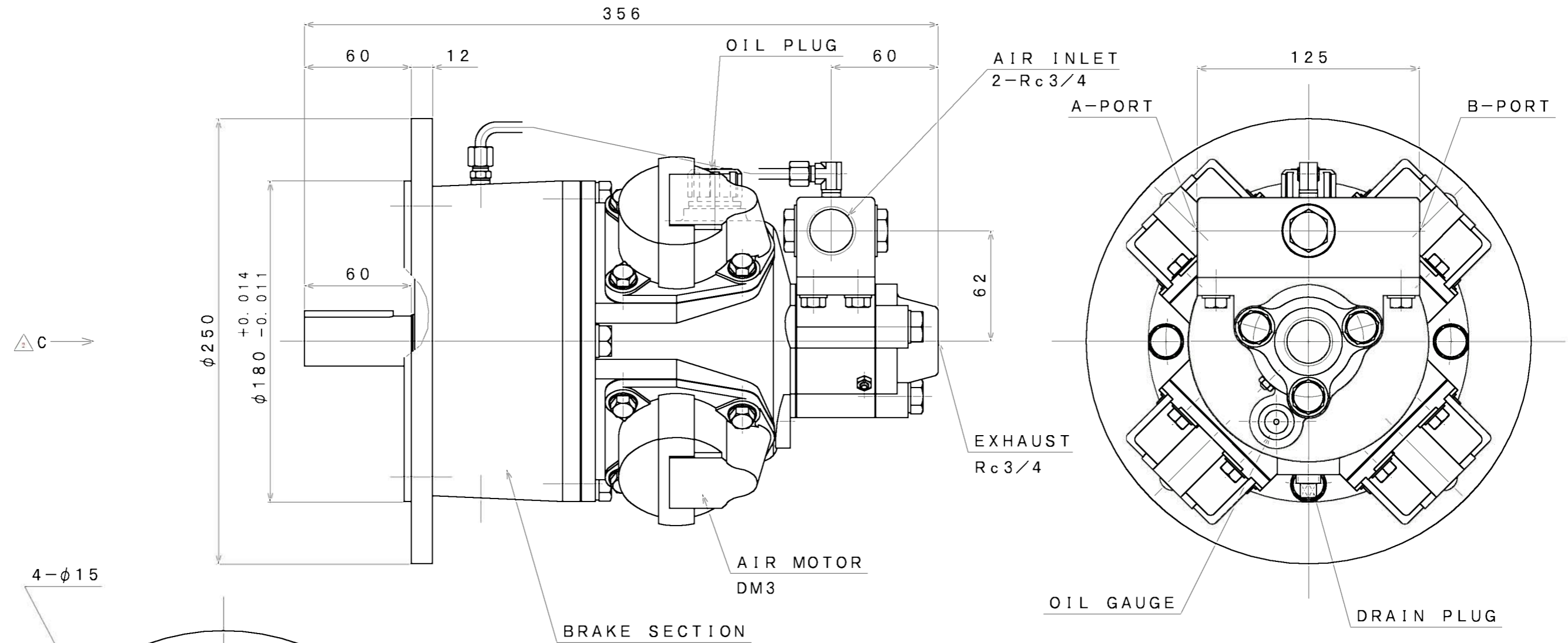


SIGN	REVISION	DATE	BY
1	Renewal	111102	R. T
2	Renewal	160408	W. S



SPECIFICATION

AIR PRESSURE (MPa)	AT MAXIMUM OUTPUT				* ALLOWABLE SHAFT LOAD		LUBRICATING OIL AIR MOTOR JIS K2213-1 Turbine Oil ISO VG32 (110cc)	MASS (kg) about 31
	OUTPUT (kW)	SPEED (rpm)	TORQUE (N·m)	AIR CONSUMPTION (m ³ /min (nor))	RADIAL (kN)	THRUST (kN)		
0.6	1.73	1400	11.8	2.0	0.5	0.15		
0.5	1.43	1250	10.9	1.7				
0.4	1.13	1100	9.8	1.4				

*: At Mid of Shaft

APPROVED	CHECKED	REVIEWED	DRAWN	PARTICULARS	OUTLINE DRAWING	DATE	DEC. 26. 2009
M. M		W. S		MODEL	DM3B-HFD1 AIR MOTOR	NOTE	Z91-012
SAN-EI SEIKI SEISAKUSHO CO., LTD.				DWG. NO.	E309-210	SCALE	2/5