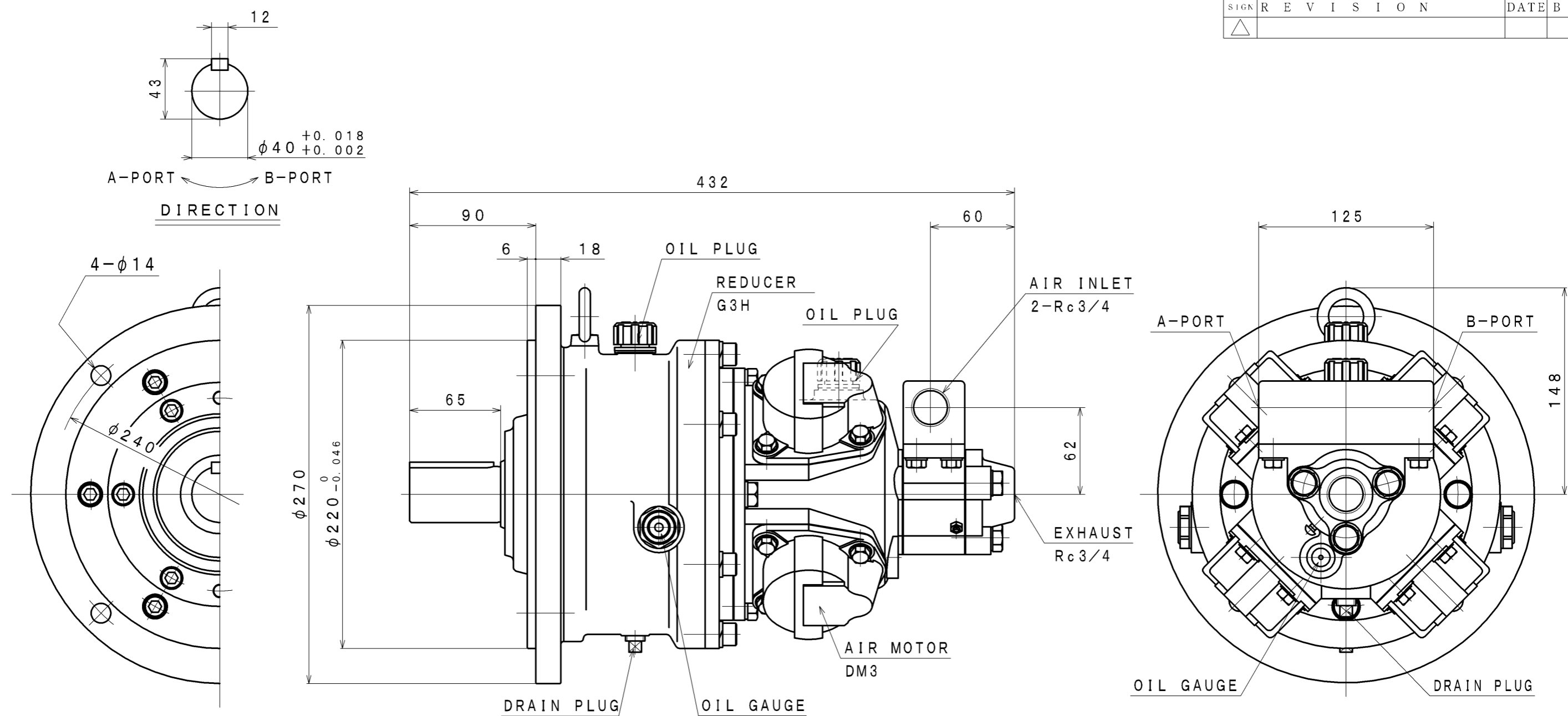


SIGN	REVISION	DATE	B	Y
△				



SPECIFICATION

AIR PRESSURE	AT MAXIMUM OUTPUT				* ALLOWABLE SHAFT LOAD		LUBRICATING OIL		MASS
	OUTPUT	SPEED	TORQUE	AIR CONSUMPTION	RADIAL	THRUST	AIR MOTOR	REDUCER	
(MPa)	(kW)	(rpm)	(N·m)	(m ³ /min (nor))	(kN)	(kN)	JIS K2213-1 Turbine Oil	JIS K2219 Gear Oil	about 46
0.6	1.65	180	87.5	2.0	3.4	0.5	ISO VG32 (110cc)	ISO VG220 (150cc)	
0.5	1.31	160	78.3	1.7					
0.4	1.05	140	71.6	1.4					

*:At Mid of Shaft

APPROVED	CHECKED	REVIEWED	DRAWN	PARTICULARS	OUTLINE DRAWING	DATE	APR. 06. 2016
M. S		R. T	W. S	MODEL	DM3G3H8F	NOTE	
					AIR MOTOR	Z97-061	
SAN-EI SEIKI SEISAKUSHO CO., LTD.					DWG. NO.	E316-093	SCALE
							1/3