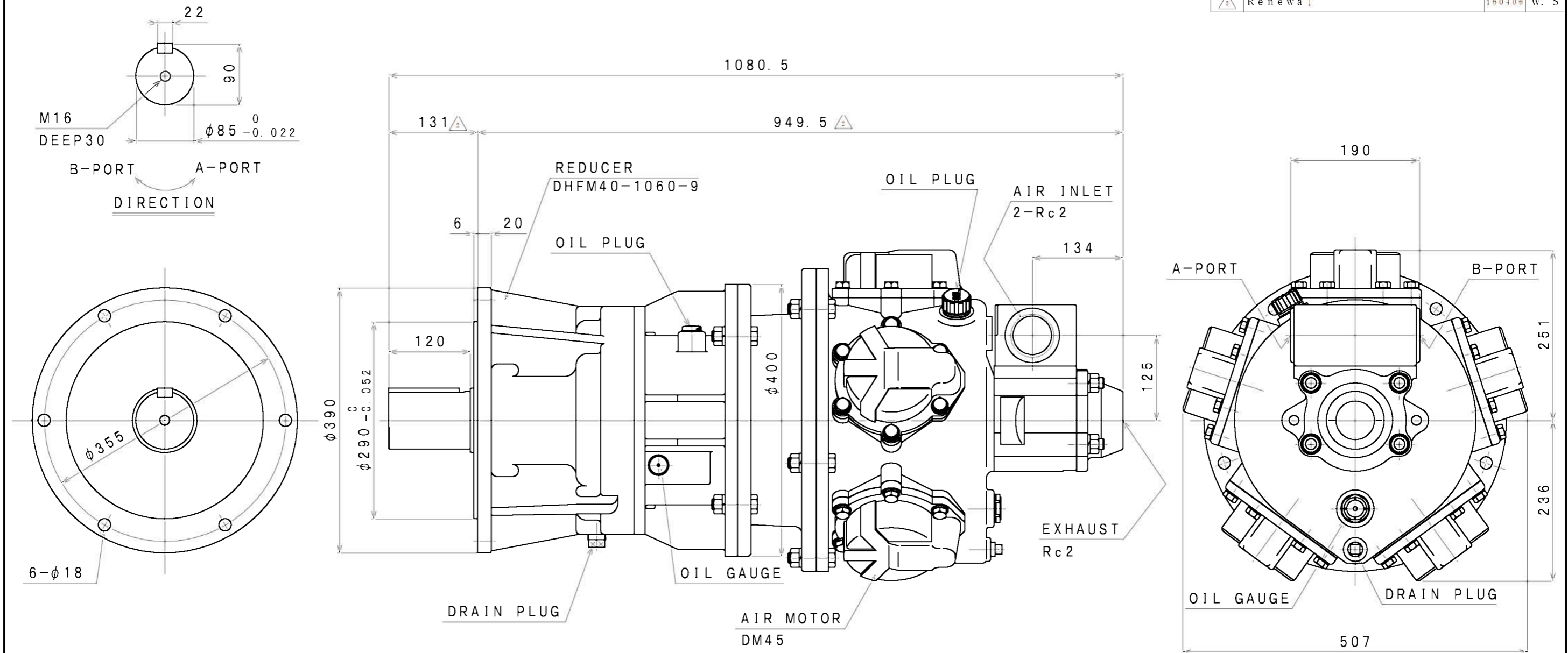


SIGN	REVISION	DATE	B Y
△1	Renewal	111101	R. T
△2	Renewal	120307	R. T
△3	Renewal	160406	W. S



**SPECIFICATION**

AIR PRESSURE	AT MAXIMUM OUTPUT				* ALLOWABLE SHAFT LOAD		LUBRICATING OIL		MASS
	OUTPUT	SPEED	TORQUE	AIR CONSUMPTION	RADIAL	THRUST	AIR MOTOR	REDUCER	
(MPa)	(kW)	(rpm)	(N·m)	(m <sup>3</sup> /min (nor))	(kN)	(kN)	JIS K2213-1 Turbine Oil	JIS K2219 Gear Oil	(kg)
0.6	17.32	98	1688	17.0	18.0	-	ISO VG32 (1400cc)	ISO VG220 (2000cc)	about 285
0.5	13.96	92	1449	14.0					
0.4	10.98	86	1219	12.0					

\*:At Mid of Shaft

APPROVED	CHECKED	REVIEWED	DRAWN	PARTICULARS	OUTLINE	DATE	OCT. 12. 2010
M. M	M. S	K. S	R. T	MODEL	DM45-F-1060-9	NOTE	
					AIR MOTOR		
SAN-EI SEIKI SEISAKUSHO CO., LTD.					DWG. NO.	E310-539	SCALE 1/6