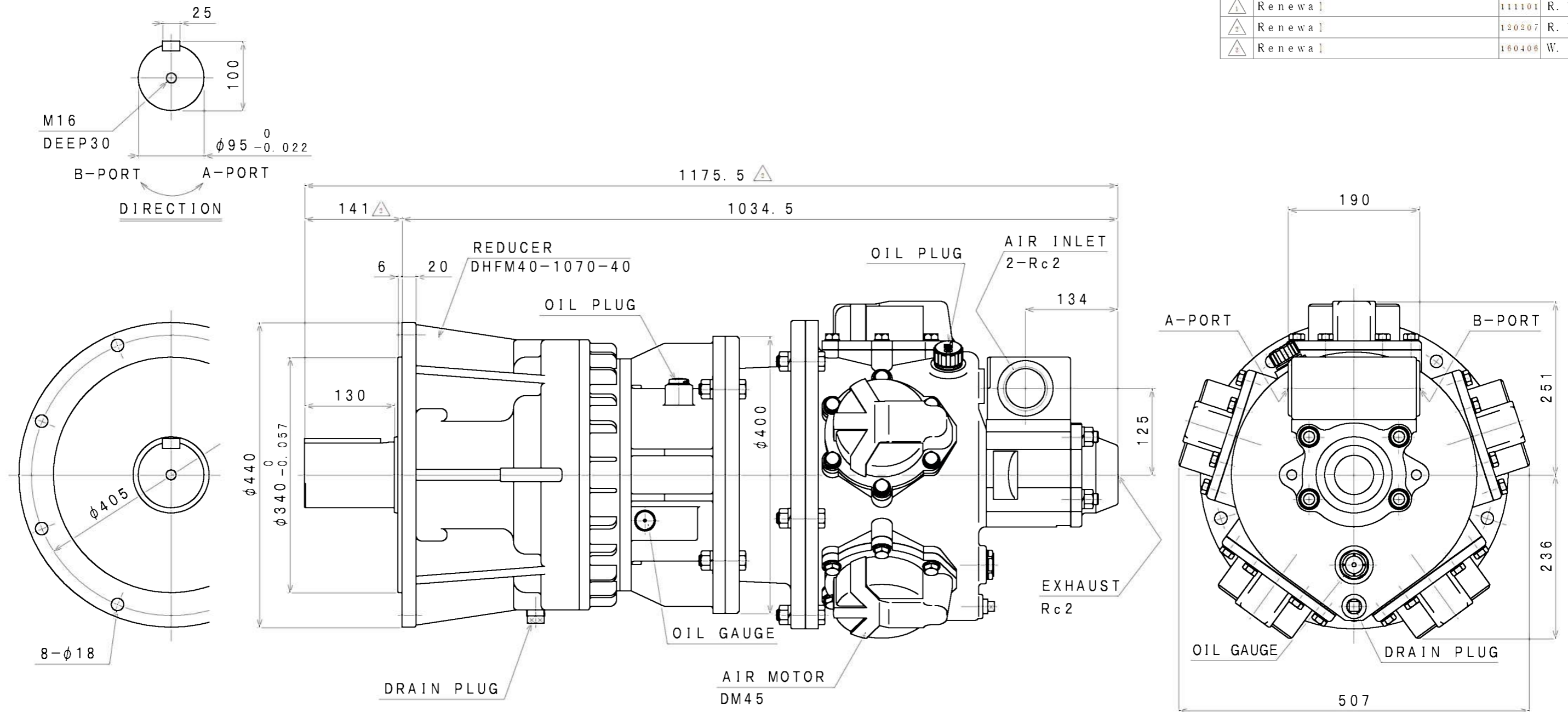


SIGN	REVISION	DATE	B Y
△1	Renewal	111101	R. T
△2	Renewal	120207	R. T
△3	Renewal	150406	W. S



### SPECIFICATION

AIR PRESSURE (MPa)	AT MAXIMUM OUTPUT				* ALLOWABLE SHAFT LOAD		LUBRICATING OIL		MASS (kg)
	OUTPUT (kW)	SPEED (rpm)	TORQUE (N·m)	AIR CONSUMPTION (m <sup>3</sup> /min (nor))	RADIAL (kN)	THRUST (kN)	AIR MOTOR	REDUCER	
0.6	16.63	21	7563	17.0	32.1	-	△ JIS K2213-1 Turbine Oil	JIS K2219 Gear Oil	about 374
0.5	13.60	20	6494	14.0			ISO VG32	ISO VG220	
0.4	10.87	19	5462	12.0			(1400cc)	(3800cc)	

\*:At Mid of Shaft

APPROVED	CHECKED	REVIEWED	DRAWN	PARTICULARS	OUTLINE	DATE	OCT. 12. 2010
M. S	K. S		R. T	MODEL	DM45-F-1070-40	NOTE	
					AIR MOTOR		
SAN-EI SEIKI SEISAKUSHO CO., LTD.					DWG. NO.	E310-542	SCALE 1/6