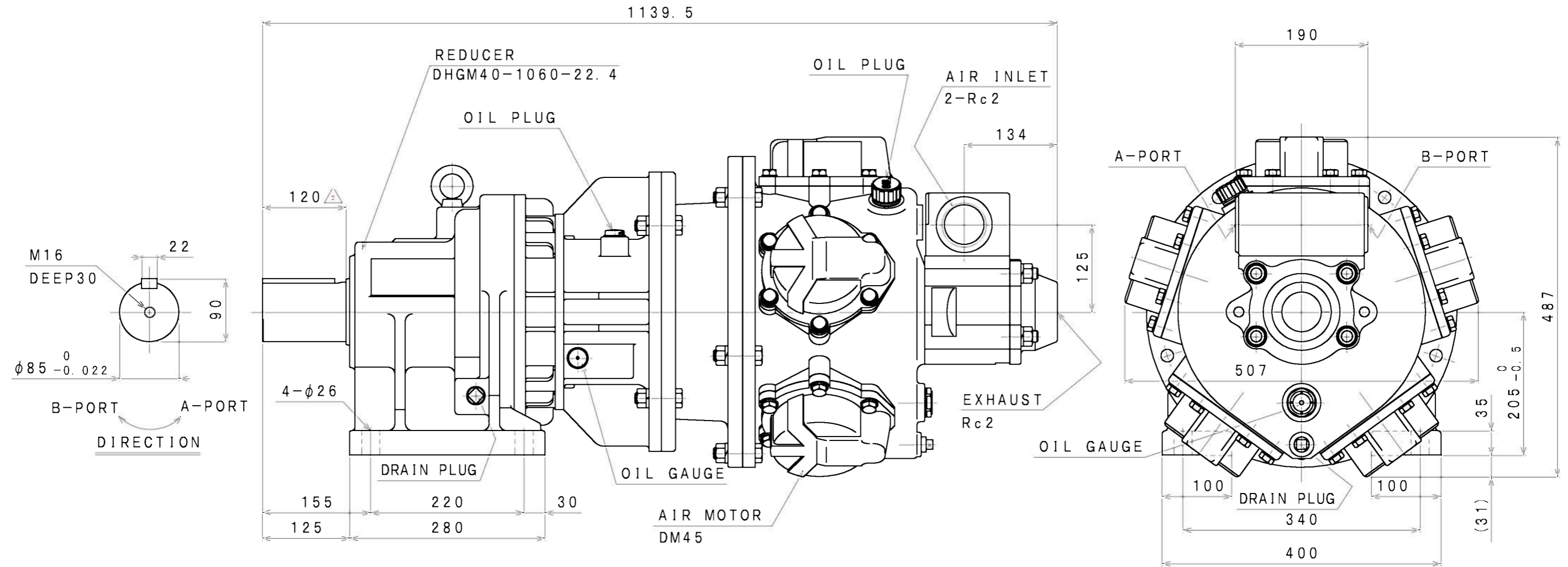


SIGN	REVISION	DATE	B Y
1	Renewal	111101	R. T
2	Renewal	120207	R. T
3	Renewal	160406	W. S



SPECIFICATION

AIR PRESSURE	AT MAXIMUM OUTPUT				* ALLOWABLE SHAFT LOAD		LUBRICATING OIL		MASS
	OUTPUT	SPEED	TORQUE	AIR CONSUMPTION	RADIAL	THRUST	AIR MOTOR	REDUCER	
(MPa)	(kW)	(rpm)	(N·m)	(m ³ /min (nor))	(kN)	(kN)	JIS K2213-1 Turbine Oil ISO VG32 (1400cc)	JIS K2219 Gear Oil ISO VG220 (2200cc)	(kg)
0.6	17.04	40	4068	17.0	24.4	-			about 313
0.5	13.53	37	3492	14.0					
0.4	10.77	35	2938	12.0					

*:At Mid of Shaft

APPROVED	CHECKED	REVIEWED	DRAWN	PARTICULARS	OUTLINE	DATE	OCT. 12. 2010
M. M	M. S	K. S	R. T	MODEL	DM45-G-1060-22.4	NOTE	
					AIR MOTOR		
SAN-EI SEIKI SEISAKUSHO CO., LTD.					DWG. NO.	E310-564	SCALE
						1/6	