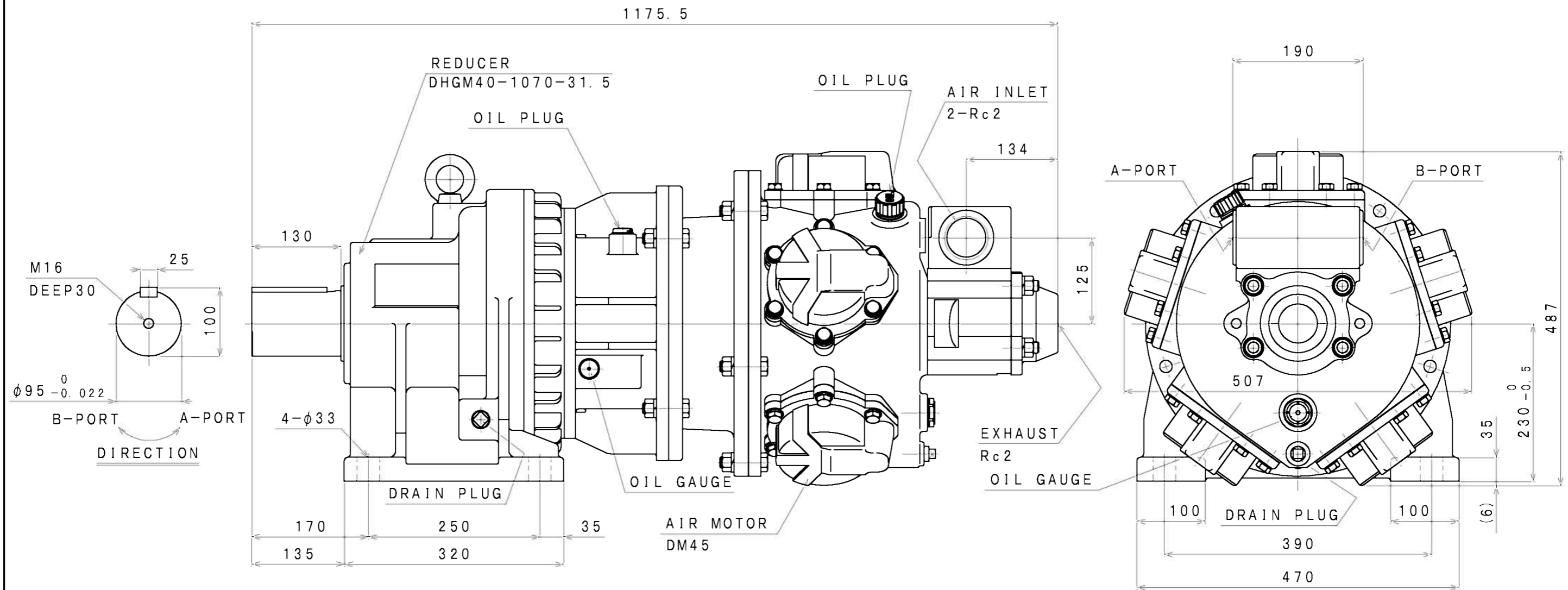


SIGN	REVISION	DATE	B Y
△1	Renewal	111101	R. T
△2	Renewal	160408	W. S



SPECIFICATION

AIR PRESSURE	AT MAXIMUM OUTPUT				* ALLOWABLE SHAFT LOAD		LUBRICATING OIL		MASS
	OUTPUT	SPEED	TORQUE	AIR CONSUMPTION	RADIAL	THRUST	AIR MOTOR	REDUCER	
(MPa)	(kW)	(rpm)	(N·m)	(m ³ /min (nor))	(kN)	(kN)	△ JIS K2213-1 Turbine Oil ISO VG32 (1400cc)	JIS K2219 Gear Oil ISO VG220 (3800cc)	(kg)
0.6	16.90	28	5763	17.0	32.1	-			about 377
0.5	13.47	26	4948	14.0					
0.4	10.89	25	4162	12.0					

*:At Mid of Shaft

APPROVED	CHECKED	REVIEWED	DRAWN	PARTICULARS	OUTLINE	DATE	OCT. 12. 2010
M. M	M. S	K. S	R. T	MODEL	DM45-G-1070-31.5	NOTE	
					AIR MOTOR		
SAN-EI SEIKI SEISAKUSHO CO., LTD.					DWG. NO.	E310-565	SCALE 1/6