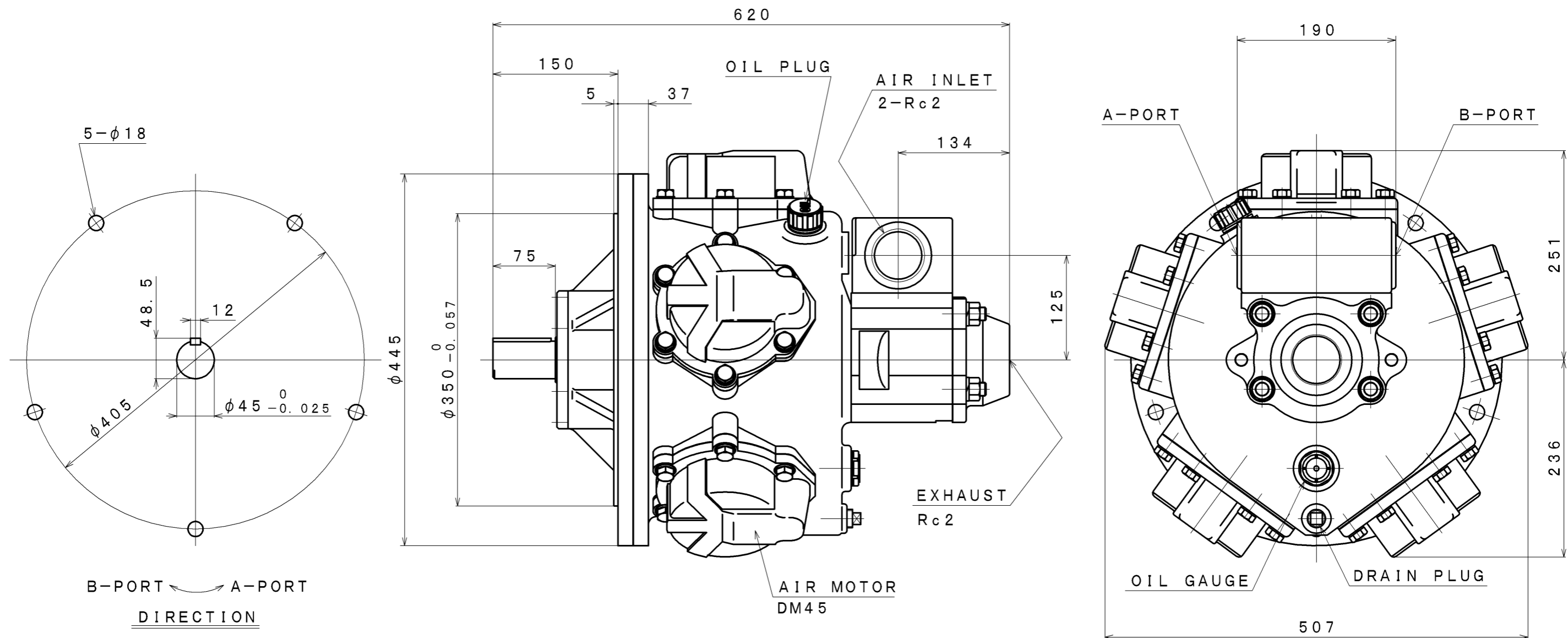


SIGN	REVISION	DATE	B Y
△1	Renewal	091218	W. S
△2	Renewal	111101	R. T
△3	Renewal	160406	W. S



SPECIFICATION

AIR PRESSURE (MPa)	AT MAXIMUM OUTPUT				* ALLOWABLE SHAFT LOAD		LUBRICATING OIL	MASS (kg)
	OUTPUT (kW)	SPEED (rpm)	TORQUE (N·m)	AIR CONSUMPTION (m ³ /min (nor))	RADIAL (kN)	THRUST (kN)	AIR MOTOR	
0.6	17.62	850	198	17.0	5.2	1.0	△ JIS K2213-1 Turbine Oil	about 150
0.5	14.24	800	170	14.0			ISO VG32	
0.4	11.23	750	143	12.0			(1400cc)	

*:At Mid of Shaft

APPROVED	CHECKED	REVIEWED	DRAWN	PARTICULARS	OUTLINE DRAWING	DATE	Jul. 08. 2005
M. M		W. S		MODEL	DM45-HFD1	NOTE	
					AIR MOTOR	Z98-015	
SAN-EI SEIKI SEISAKUSHO CO., LTD.					DWG. NO.	E305-099	SCALE 1/5