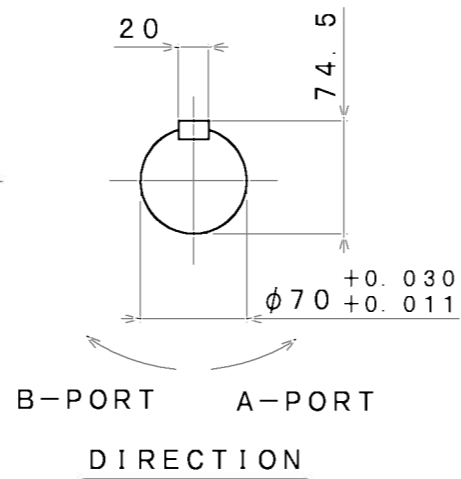
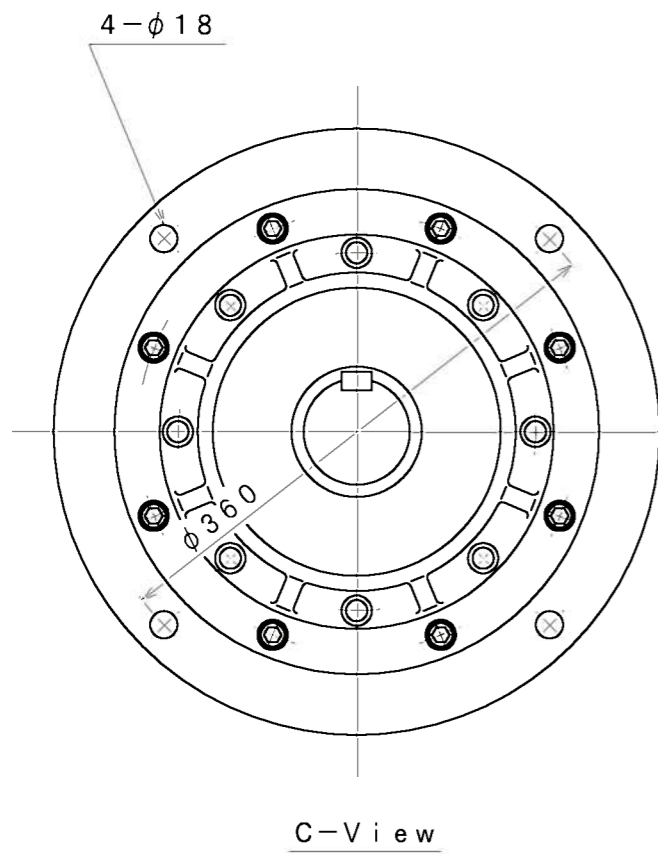
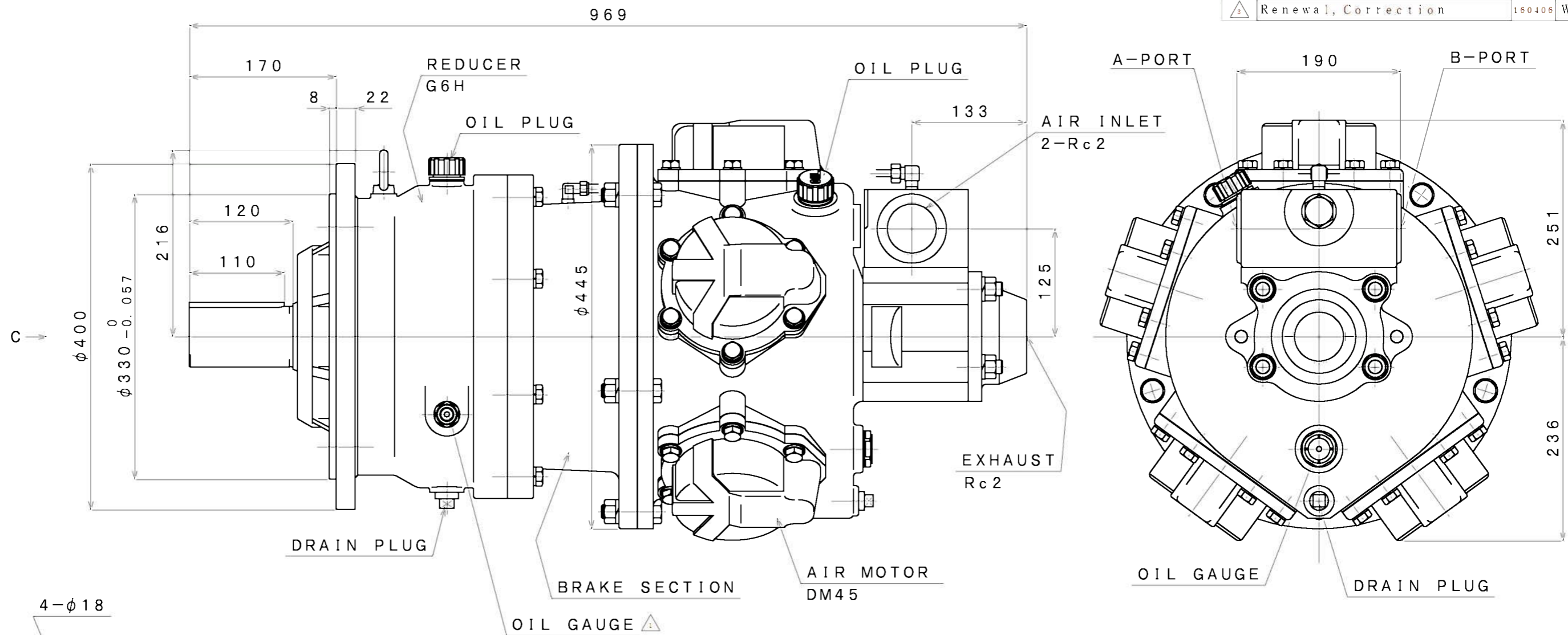


SIGN	REVISION	DATE	B Y
1	Renewal	111102	R. T
2	Correction	120228	R. T
3	Renewal, Correction	160406	W. S



SPECIFICATION

AIR PRESSURE (MPa)	AT MAXIMUM OUTPUT				* ALLOWABLE SHAFT LOAD		LUBRICATING OIL		MASS (kg)
	OUTPUT (kW)	SPEED (rpm)	TORQUE (N·m)	AIR CONSUMPTION (m ³ /min (nor))	RADIAL (kN)	THRUST (kN)	AIR MOTOR	REDUCER	
0.6	16.9	240	671	17.0			1 JIS K2213-1 Turbine Oil	JIS K2219 Gear Oil	2 about 350
0.5	13.5	230	560	14.0	11.5	3.0	ISO VG32 (1400cc)	ISO VG220 (1200cc)	
0.4	10.5	210	478	12.0			3		

*: At Mid of Shaft

APPROVED	CHECKED	REVIEWED	DRAWN	PARTICULARS	OUTLINE DRAWING	DATE	JAN. 15. 2010
M. M		W. S		MODEL	DM45BG6H4F	NOTE	
SAN-EI				SEIKI SEISAKUSHO CO., LTD.	DWG. NO.	E310-049	SCALE 1/5