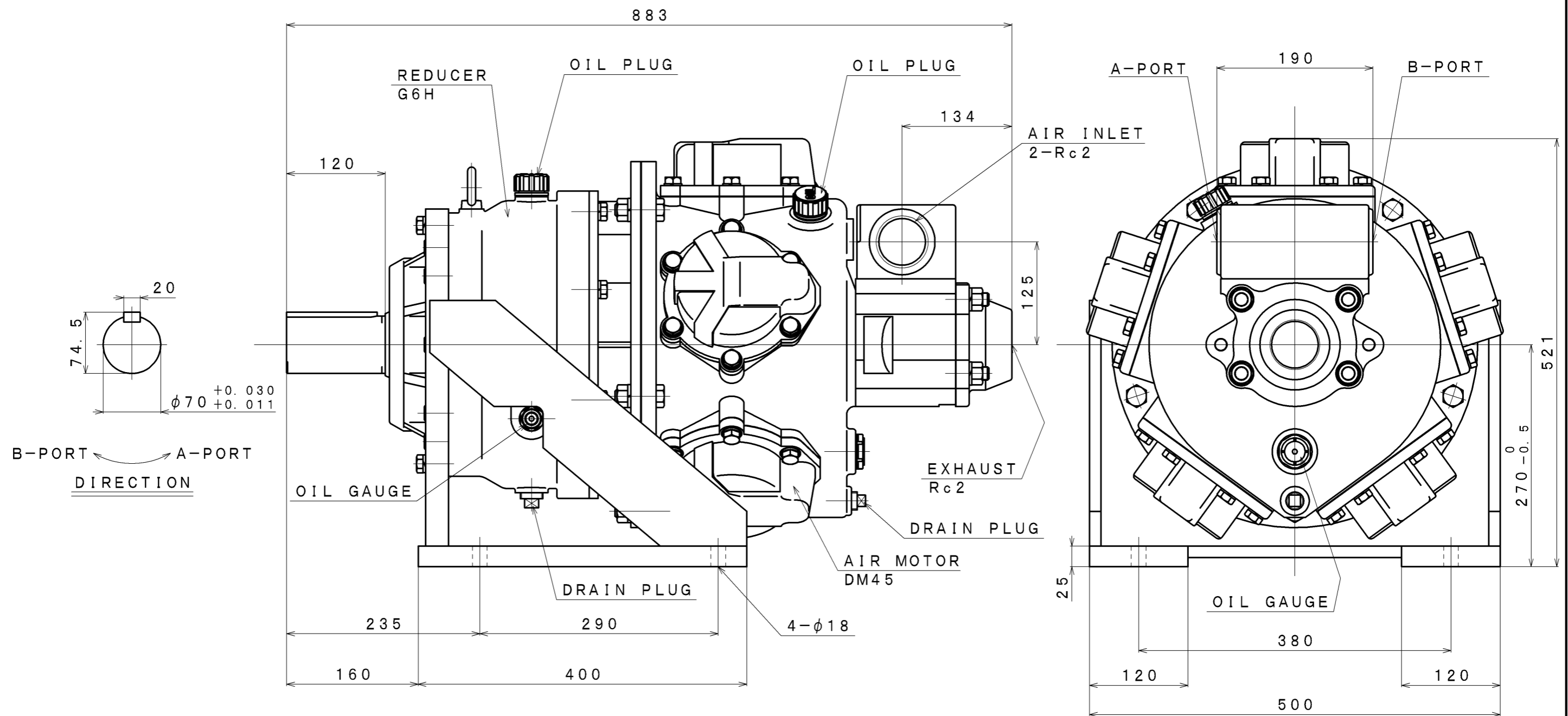


SIGN	REVISION	DATE	B Y
△1	Renewal	111101	R. T
△2	Correction	120222	R. T
△3	Renewal	160407	W. S



**SPECIFICATION**

AIR PRESSURE	AT MAXIMUM OUTPUT				* ALLOWABLE SHAFT LOAD		LUBRICATING OIL		MASS
	OUTPUT	SPEED	TORQUE	AIR CONSUMPTION	RADIAL	THRUST	AIR MOTOR	REDUCER	
(MPa)	(kW)	(rpm)	(N·m)	(m <sup>3</sup> /min (nor))	(kN)	(kN)	△1 JIS K2213-1 Turbine Oil ISO VG32 (1400cc)	JIS K2219 Gear Oil ISO VG220 (1200cc)	(kg)
0.6	16.9	150	1000	17.0	13.6	3.0	△2 about 390	△3	
0.5	13.5	140	921	14.0					
0.4	10.5	130	771	12.0					

\*:At Mid of Shaft

APPROVED	CHECKED	REVIEWED	DRAWN	PARTICULARS	OUTLINE DRAWING	DATE	JAN. 26. 2010
M. M		W. S		MODEL	DM45G6H6B	NOTE	
					AIR MOTOR	Z06-028	
SAN-EI SEIKI SEISAKUSHO CO., LTD.				DWG. NO.	E310-080	SCALE	1/5