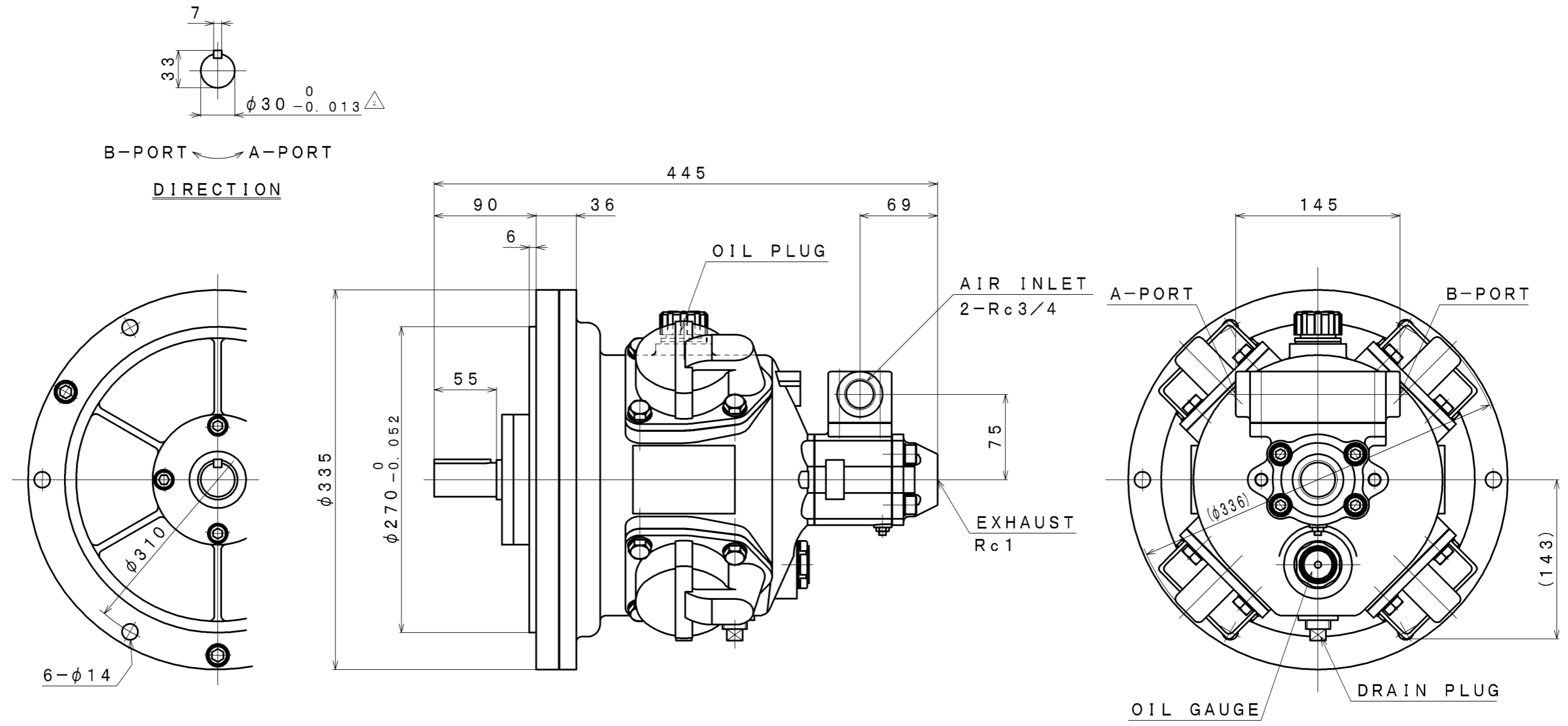


SIGN	REVISION	DATE	BY
△1	Renewal	111101	R. T
△2	Renewal, Correction	160406	W. S



**SPECIFICATION**

AIR PRESSURE (MPa)	AT MAXIMUM OUTPUT				※ ALLOWABLE SHAFT LOAD		LUBRICATING OIL AIR MOTOR △ JIS K2213-1 Turbine Oil ISO VG32 (1000cc)	MASS (kg) about 45
	OUTPUT (kW)	SPEED (rpm)	TORQUE (N·m)	AIR CONSUMPTION (m <sup>3</sup> /min (nor))	RADIAL (kN)	THRUST (kN)		
0.6	3.90	1060	35.1	3.7	1.47	0.29		
0.5	3.14	1000	30.0	3.4				
0.4	2.55	920	26.5	2.9				

※: At Mid of Shaft

APPROVED	CHECKED	REVIEWED	DRAWN	PARTICULARS	OUTLINE DRAWING	DATE	DEC. 17. 2009
M. M		W. S		MODEL	DM9-HFD1	NOTE	
					AIR MOTOR	Z88-056	
SAN-EI SEIKI SEISAKUSHO CO., LTD.					DWG. NO.	E309-198	SCALE 1/4