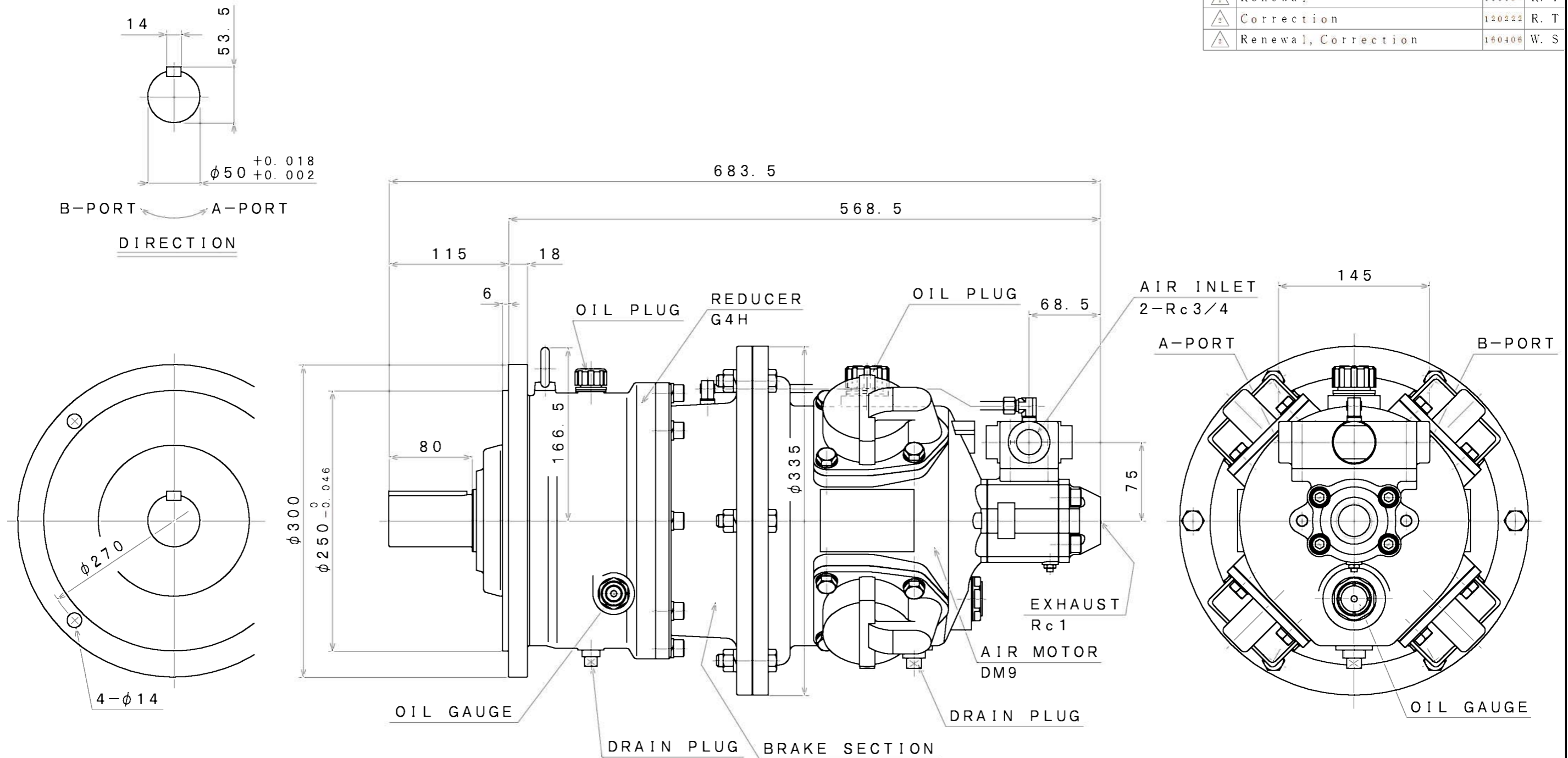


SIGN	REVISION	DATE	B Y
1	Renewal	111103	R. T
2	Correction	120222	R. T
3	Renewal, Correction	150406	W. S



SPECIFICATION

AIR PRESSURE (MPa)	AT MAXIMUM OUTPUT				* ALLOWABLE SHAFT LOAD		LUBRICATING OIL		MASS (kg)
	OUTPUT (kW)	SPEED (rpm)	TORQUE (N·m)	AIR CONSUMPTION (m ³ /min (nor))	RADIAL (kN)	THRUST (kN)	AIR MOTOR	REDUCER	
0.6	3.74	190	188	3.7	4.7	0.8	JIS K2213-1 Turbine Oil	JIS K2219 Gear Oil	about 119
0.5	3.00	180	159	3.4			ISO VG32 (1000cc)	ISO VG220 (320cc)	
0.4	2.40	160	143	2.9					

*: At Mid of Shaft

APPROVED	CHECKED	REVIEWED	DRAWN	PARTICULARS	OUTLINE DRAWING	DATE	JAN. 09. 2010
M. M		W. S		MODEL	DM9BG4H6F	NOTE	
					AIR MOTOR	Z98-030	
SAN-EI SEIKI SEISAKUSHO CO., LTD.					DWG. NO.	E310-027	SCALE 1/4